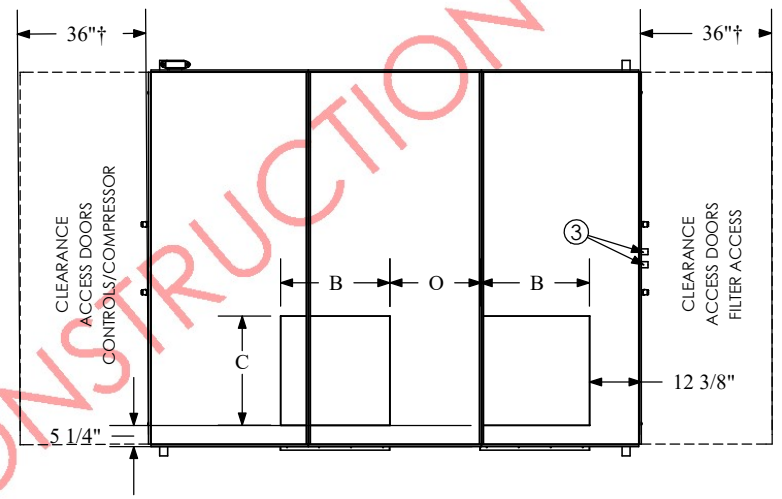
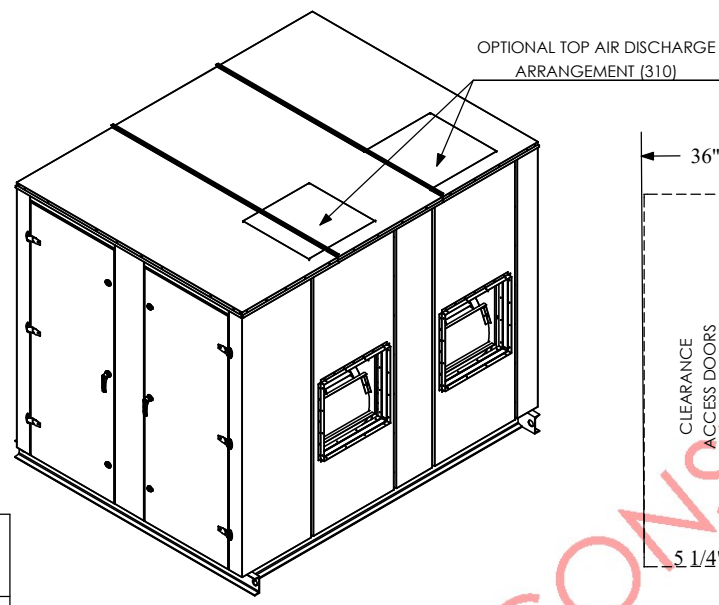


- ①
- ②
- ③
- ④

FLUID IN
 FLUID OUT
 CONDENSATE DRAIN x 2 (1 1/2")
 SUGGESTED AREA FOR ELECTRICAL CONNECTION TO BE FIELD INSTALLED BY OTHERS
DISCLAIMER: DO NOT COVER UNIT NAMEPLATE WHILE MAKING THIS CONNECTION

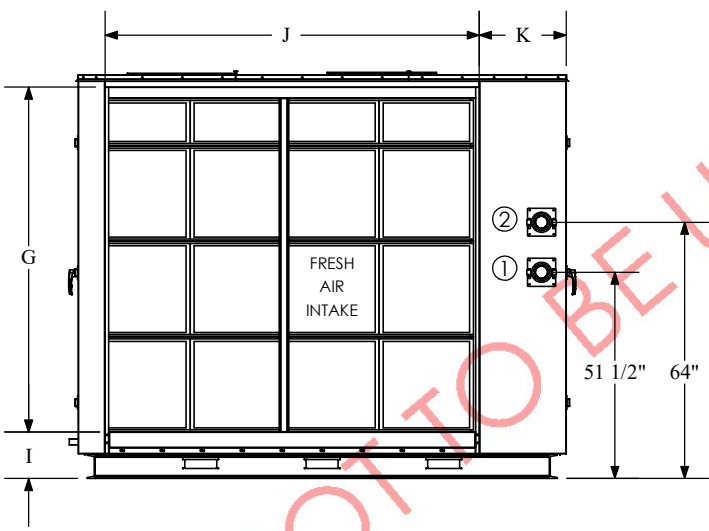


TOP VIEW

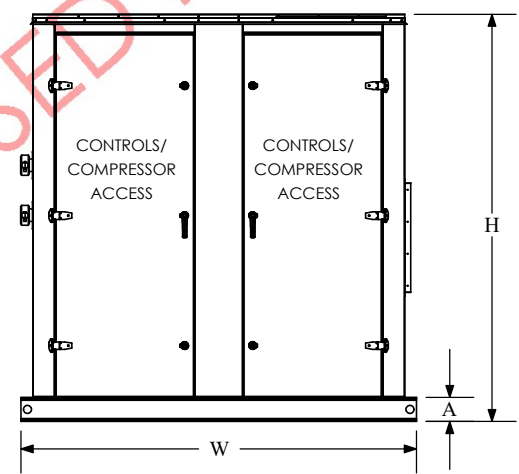
- REMARKS**
- FILTERS ARE AS FOLLOW:
 MERV8 PREFILTERS, 24"X24"X2" (QTY:12)
 MERV8 PREFILTERS, 12"X24"X2" (QTY:4)
 MERV13 BAG FILTERS, 24"X24"X15" (QTY: 12)
 MERV13 BAG FILTERS, 12"X24"X15" (QTY: 4)
 - † MINIMUM CLEARANCE FOR SERVICE

CAPACITY (TONS)	WATER PIPE CONNECTIONS*	CONNECTION TYPES
40-45	2.5" (80 GPM - 90 GPM)	GROOVED**
50-70	3" (100 GPM -140 GPM)	GROOVED**
80-110	4" (160 GPM - 220 GPM)	GROOVED**

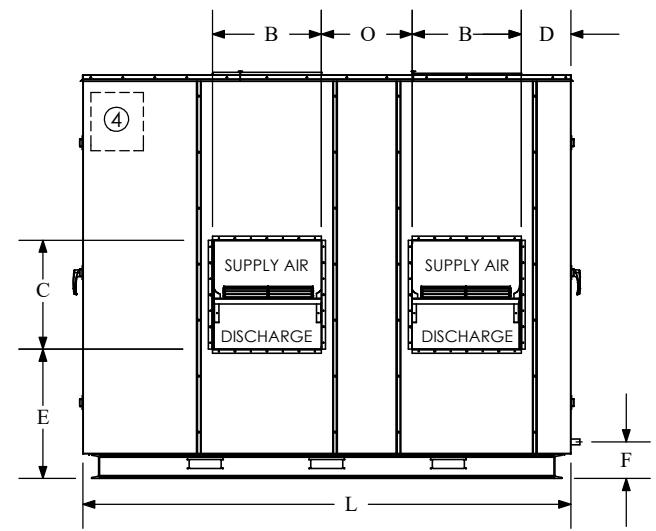
* Based On 2 GPM/Ton
 ** Mechanical grooved coupling supplied by manufacturer



LEFT VIEW



FRONT VIEW



RIGHT VIEW

PHYSICAL DATA (IN)													
H	W	L	A	B	C	D	E	F	G	I	J	K	O
101 3/4"	98 7/8"	122"	6"	27 1/4"	27 1/4"	12 3/8"	32 1/4"	9 1/8"	86 1/4"	11 1/2"	93 1/2"	21 3/4"	22 3/4"

NAME:	DATE (MM/DD/YYYY):	TITLE:
DRAWN BY: AD	11/1/2021	MAKE UP AIR UNIT STANDARD VARIPAK SIZE 7 (INDOOR)
CHECKED BY: FS	11/1/2021	UNIT MODEL: VPSA7XX
		SCALE: NTS
<small>THE INFORMATION CONTAINED IN THIS DRAWING IS THE SOLE PROPERTY OF CGC GROUP. ANY REPRODUCTION IN PART OR AS A WHOLE WITHOUT THE WRITTEN PERMISSION OF CGC GROUP IS PROHIBITED.</small>		SHEET 1 OF 1