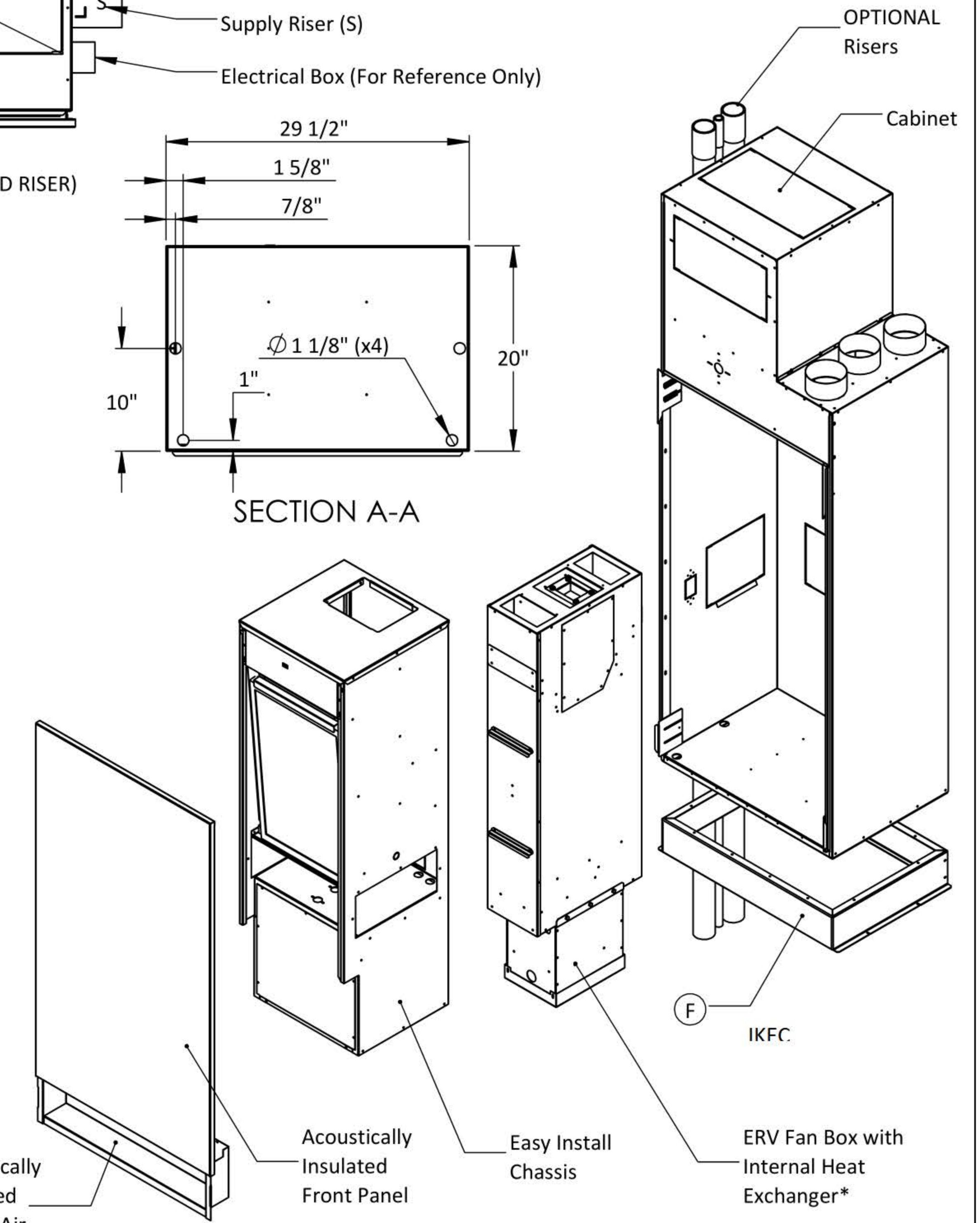
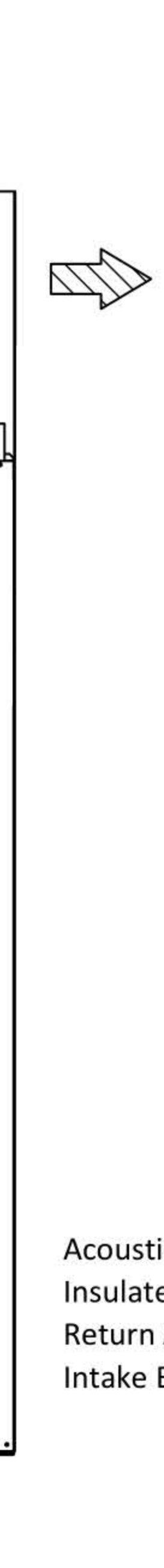
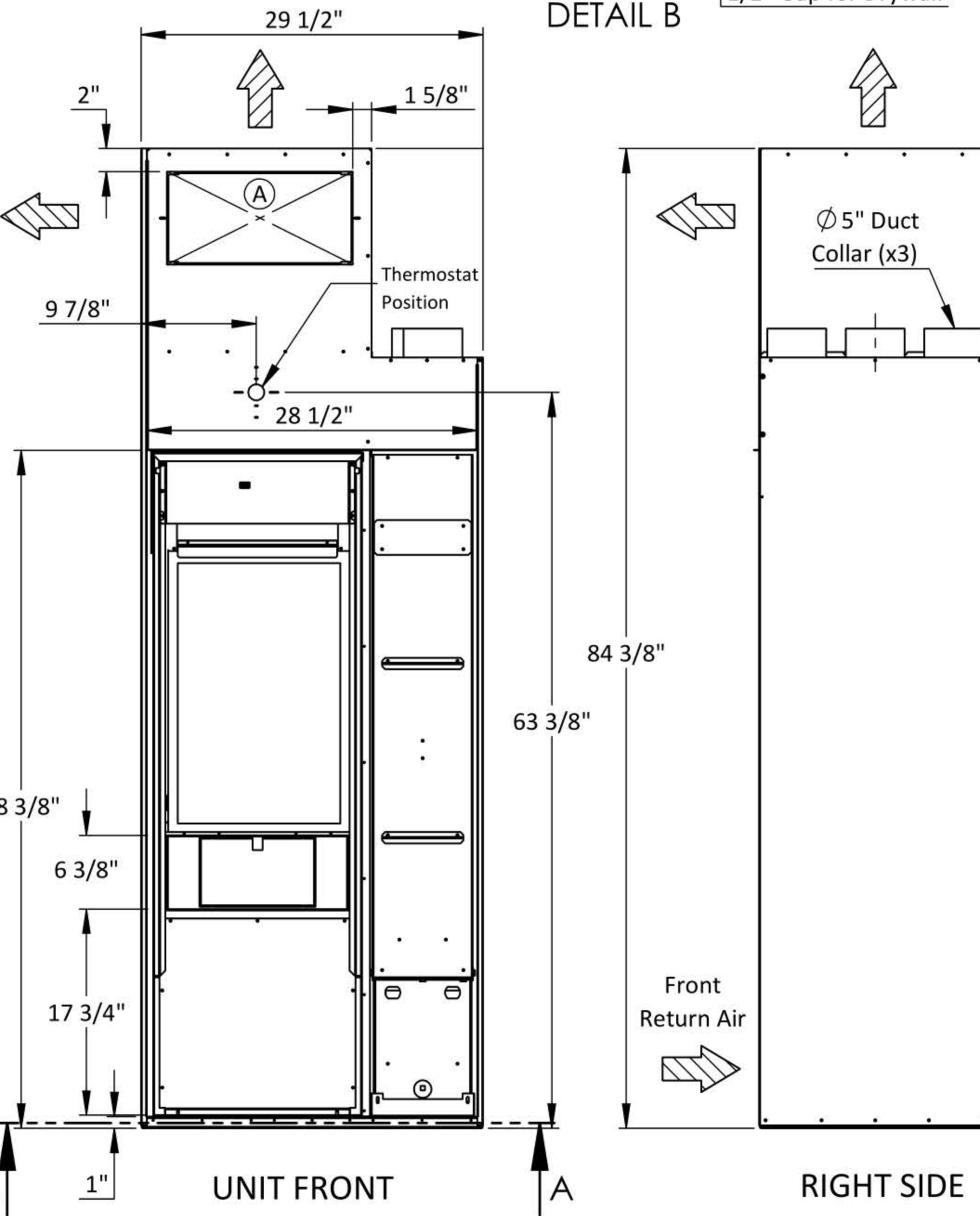
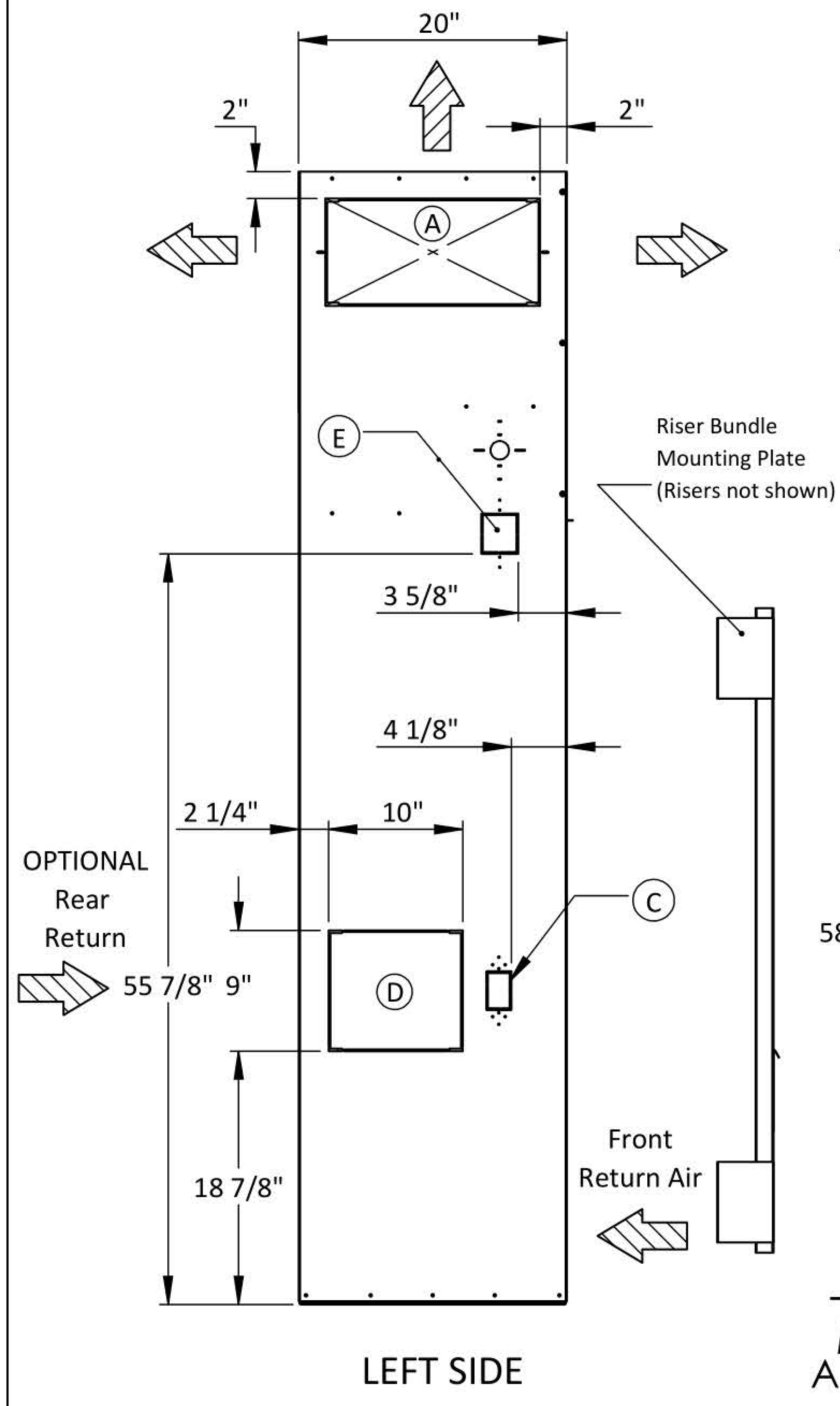
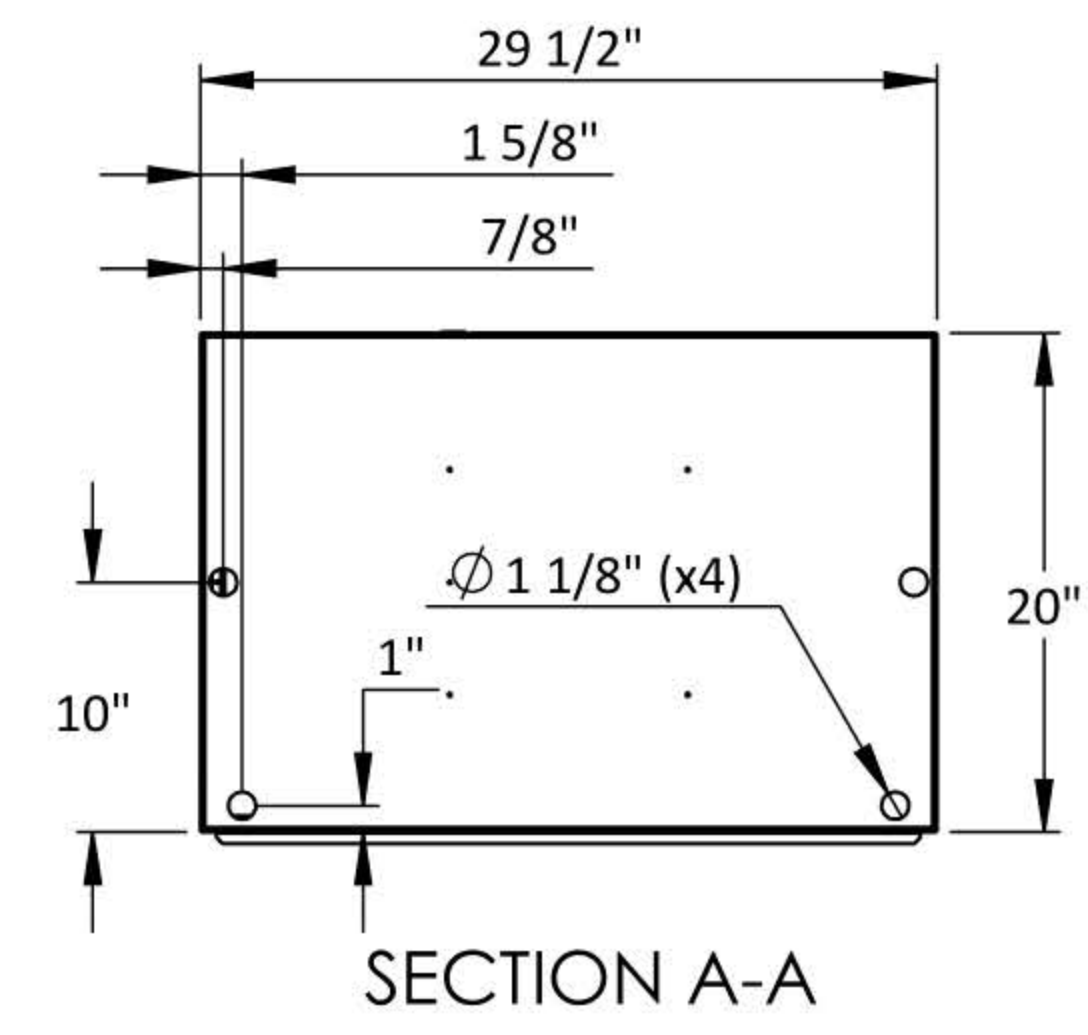
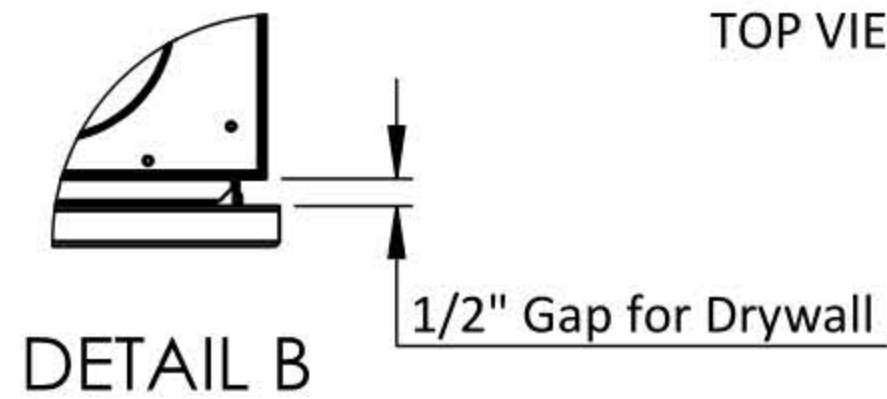
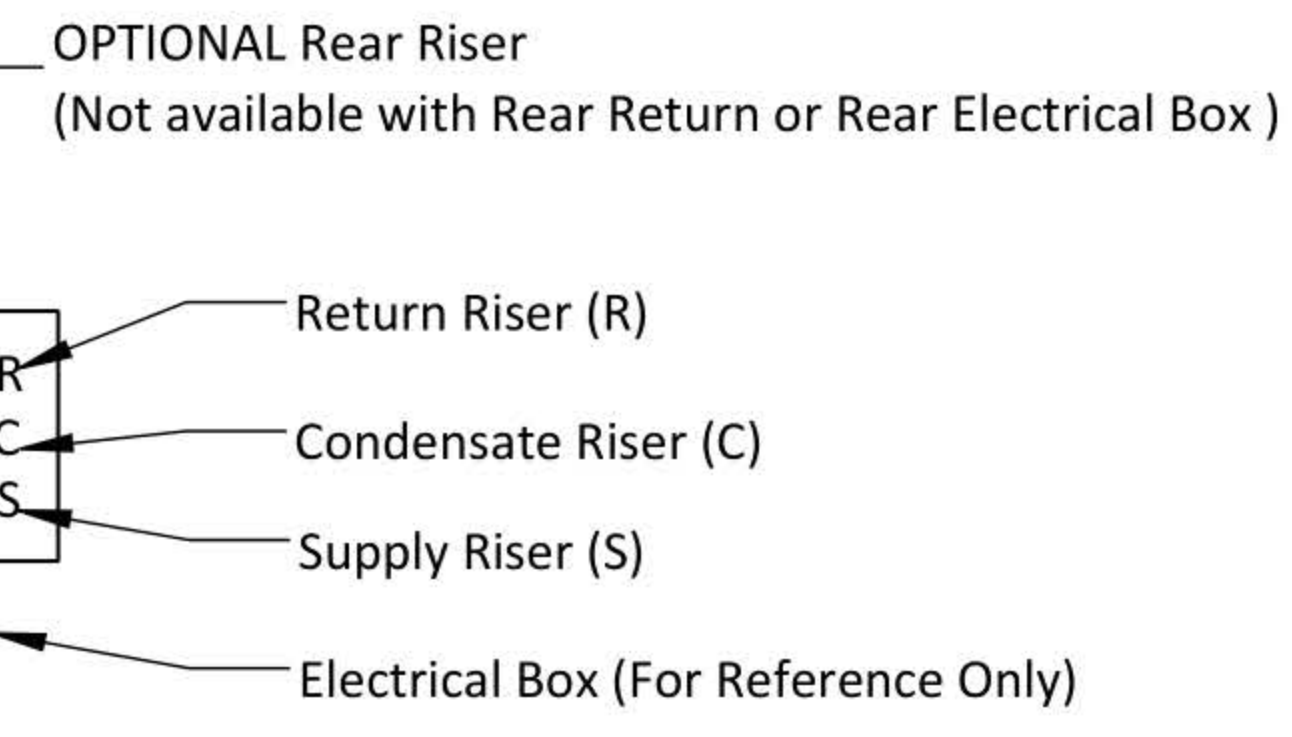
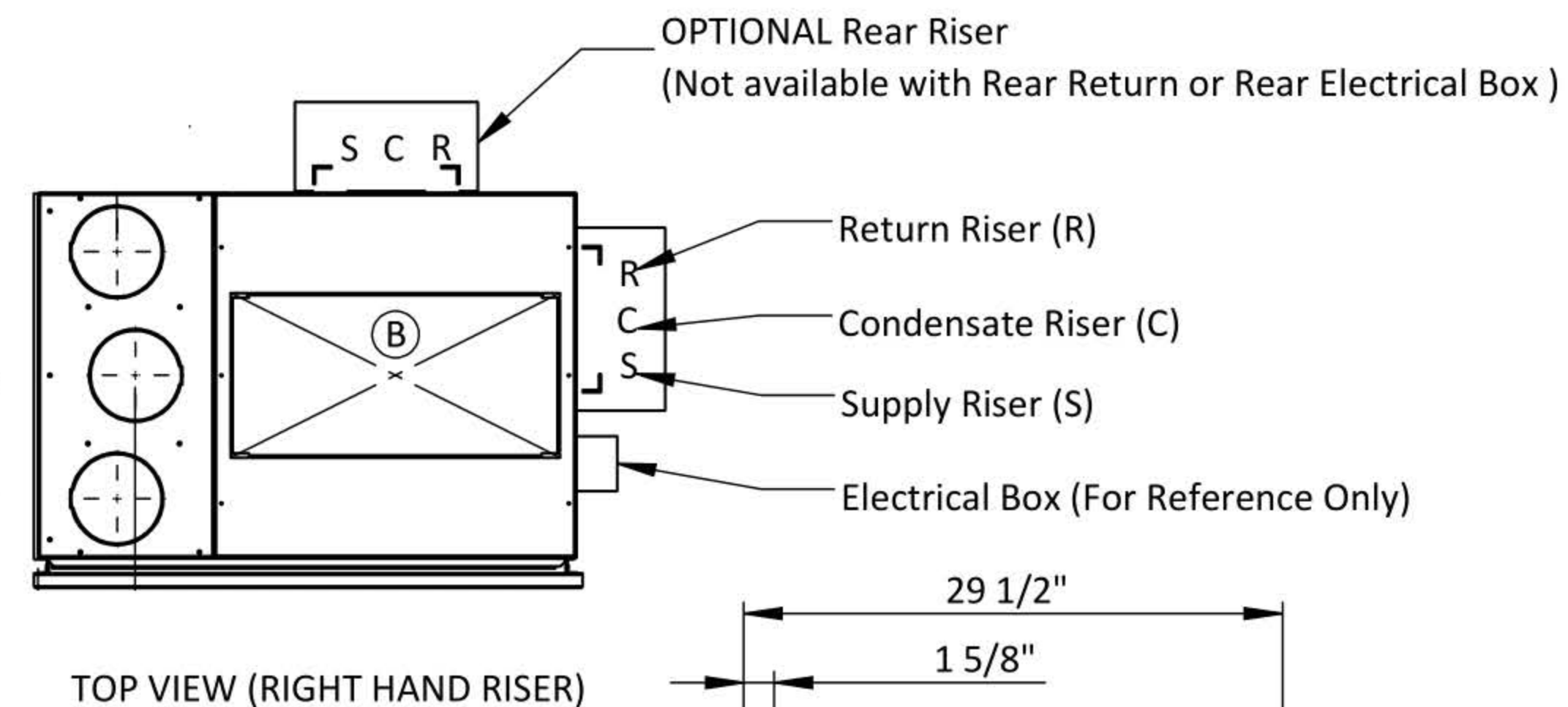
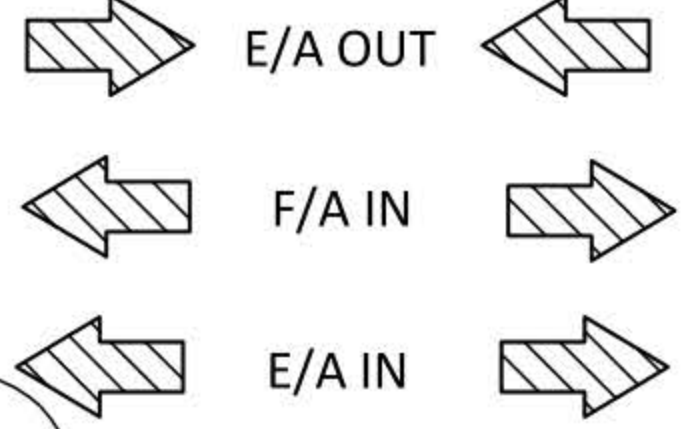
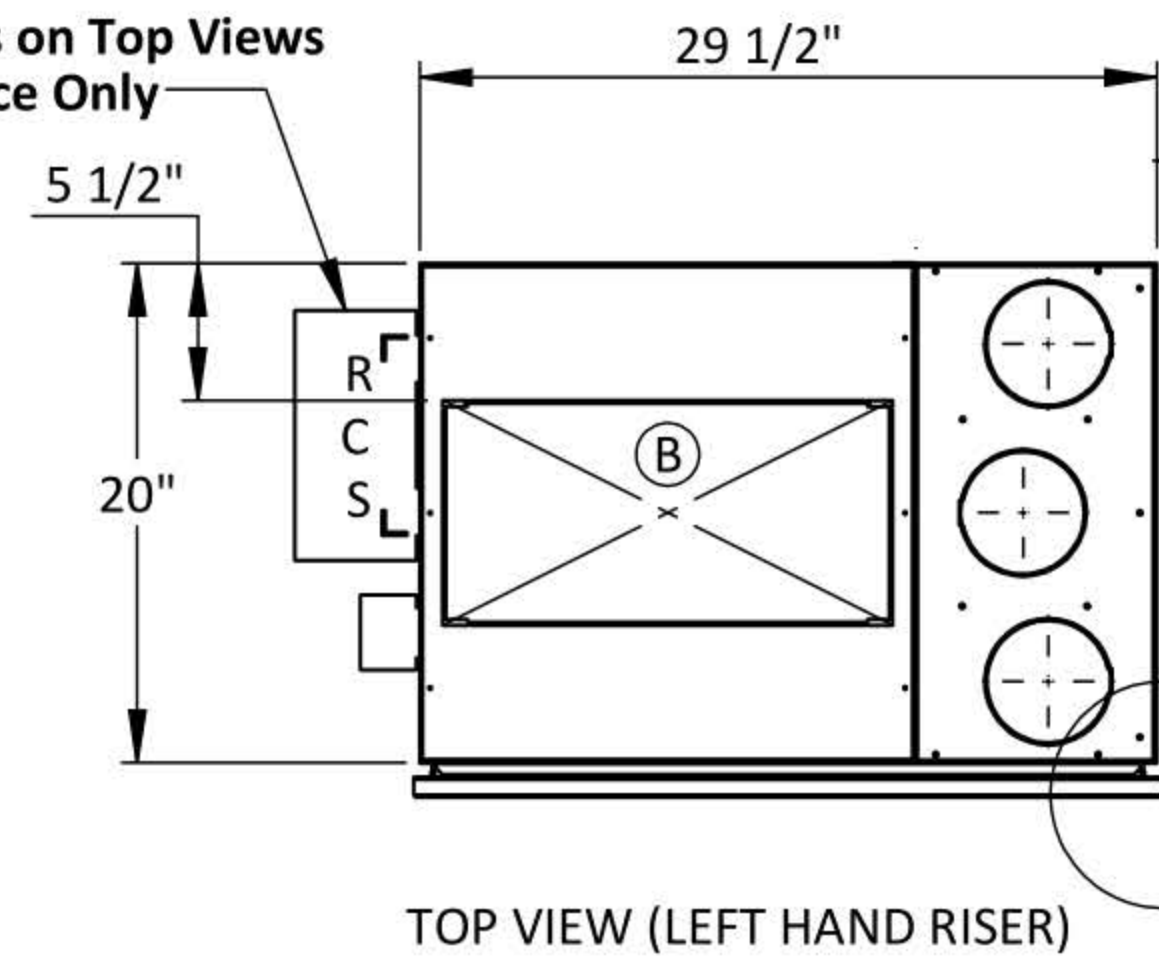


REMARKS:

- > Arrows toward unit show RETURN option.
- > Arrows away from unit show SUPPLY option.
- > Water Inlet / Outlet = 1/2" MPT.
- > Condensate Drain = 3/4" ID Hose.
- > Disposable Filter Included (16"H X 24"W X 1"T)
- > 18" long Supply, Return and Condensate Hose Included
- > Total Weight: 435lbs
(Includes Cabinet, Chassis, Panel, Boot, and ERV)

- (A) - 16" x 8" KnockOuts for Supply Ducting
- (B) - 18" x 9" KnockOuts for Supply Ducting
- (C) - Electrical Box KnockOut for Electrical Connections
Box Size (4.50" H X 3" W X 2.38" D)
- (D) - KnockOut For Flex. Hose Connection of Risers to Chassis or for Return Air
- (E) - KnockOut For OPTIONAL 120V or 24V Relay for ERV Interlock with Toilet Exhaust - ERV Option Only
- (F) - Optional Cabinet Base Extensions (Various Heights Available)

**Template Drawings on Top Views
Shown for Reference Only**



	THE INFORMATION CONTAINED IN THIS DRAWING IS THE SOLE PROPERTY OF CGC GROUP. ANY PRODUCTION IN PART OR AS A WHOLE WITHOUT THE WRITTEN PERMISSION OF CGC GROUP IS PROHIBITED.		NAME	DATE
	DRAWN	AJM	12/10/2017	
	CHECKED			
	ENG APPR.	FL	12/10/2017	
	REV.	AAR	12/3/2020	
Q.A. COMMENTS: DO NOT SCALE DRAWING				
UNLESS OTHERWISE SPECIFIED: DIMENSIONS ARE IN INCHES TOLERANCES UNLESS OTHERWISE NOTED ARE: FRACTIONAL ± .116" ANGULAR ± 0.5° X ± .1" XX ± .06" XXX ± .032" XXXX ± .0050"			Bulldog IKV008-018 ERV Cabinet Dimensional Data	
SIZE	DWG. NO.	REV.		
A	IKV_ERV_DD	C		
SCALE: NTS	SHEET 1 OF 1			