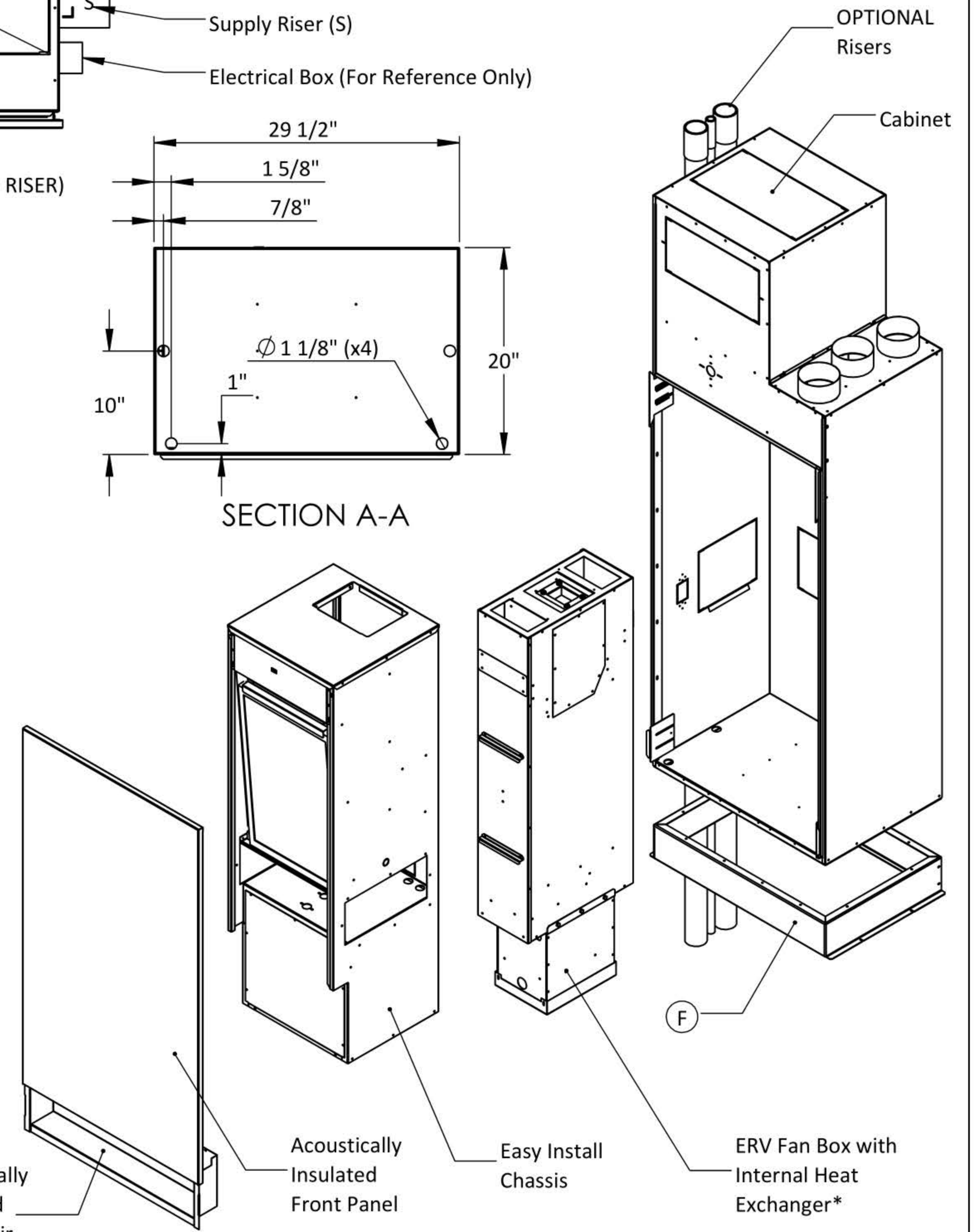
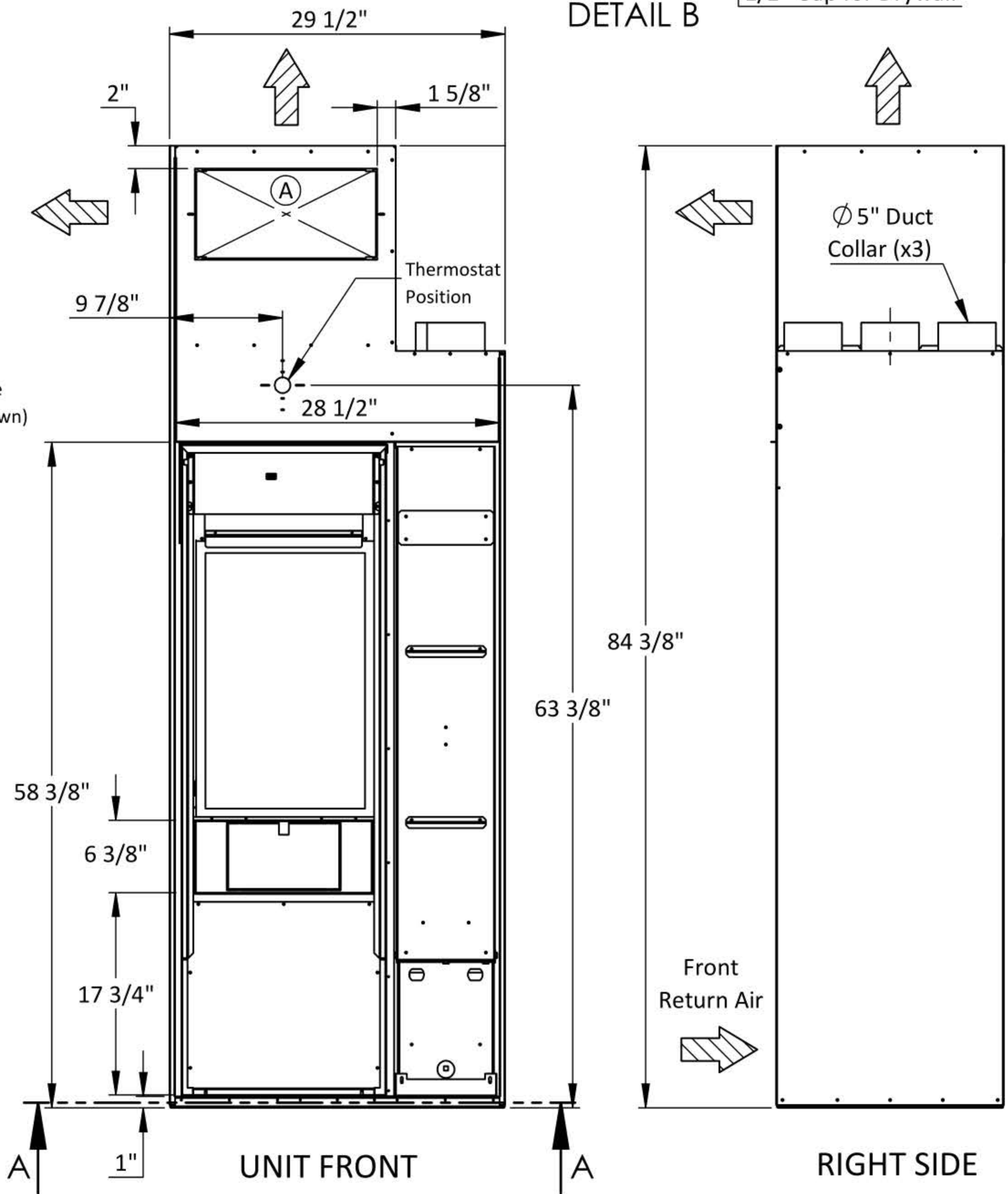
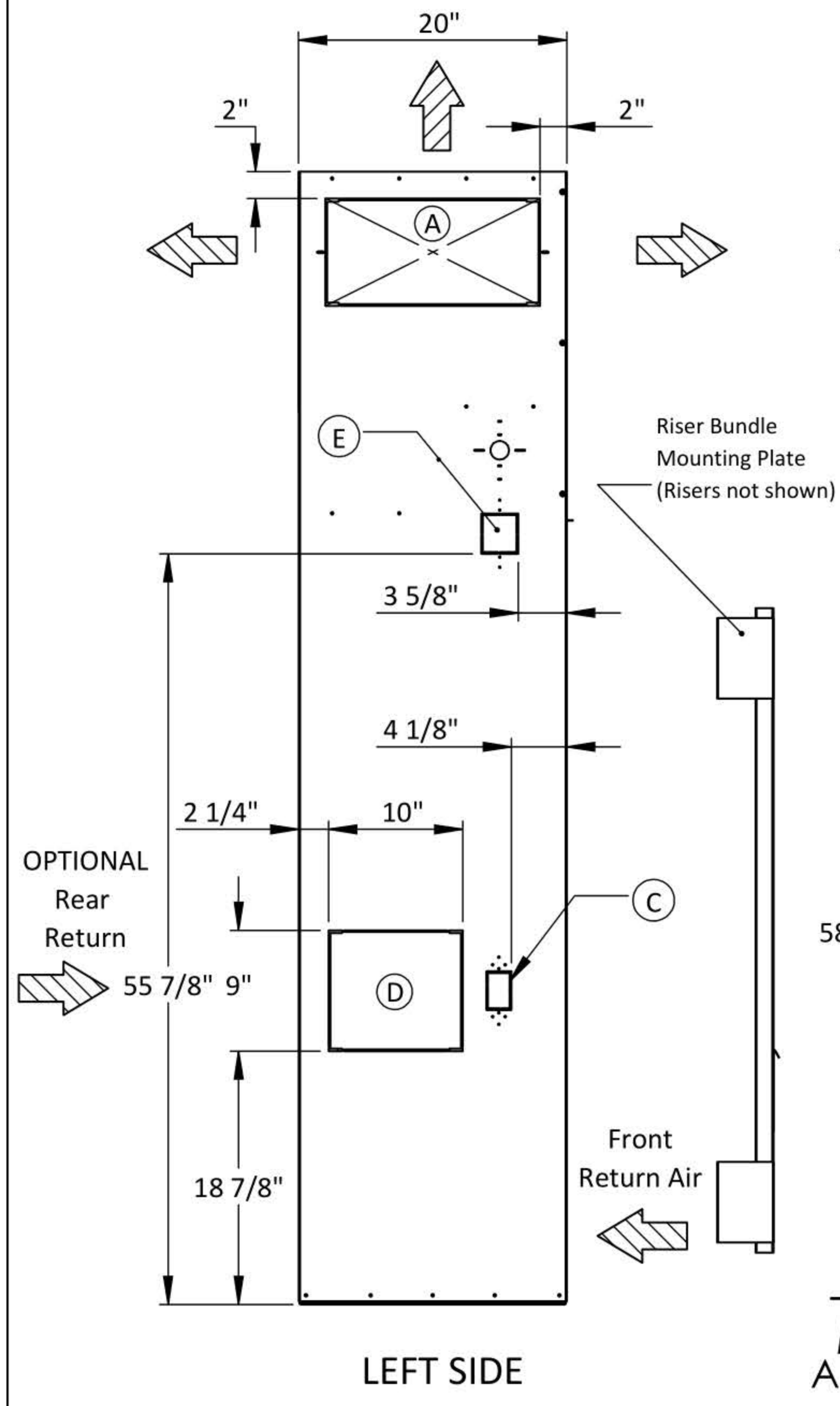
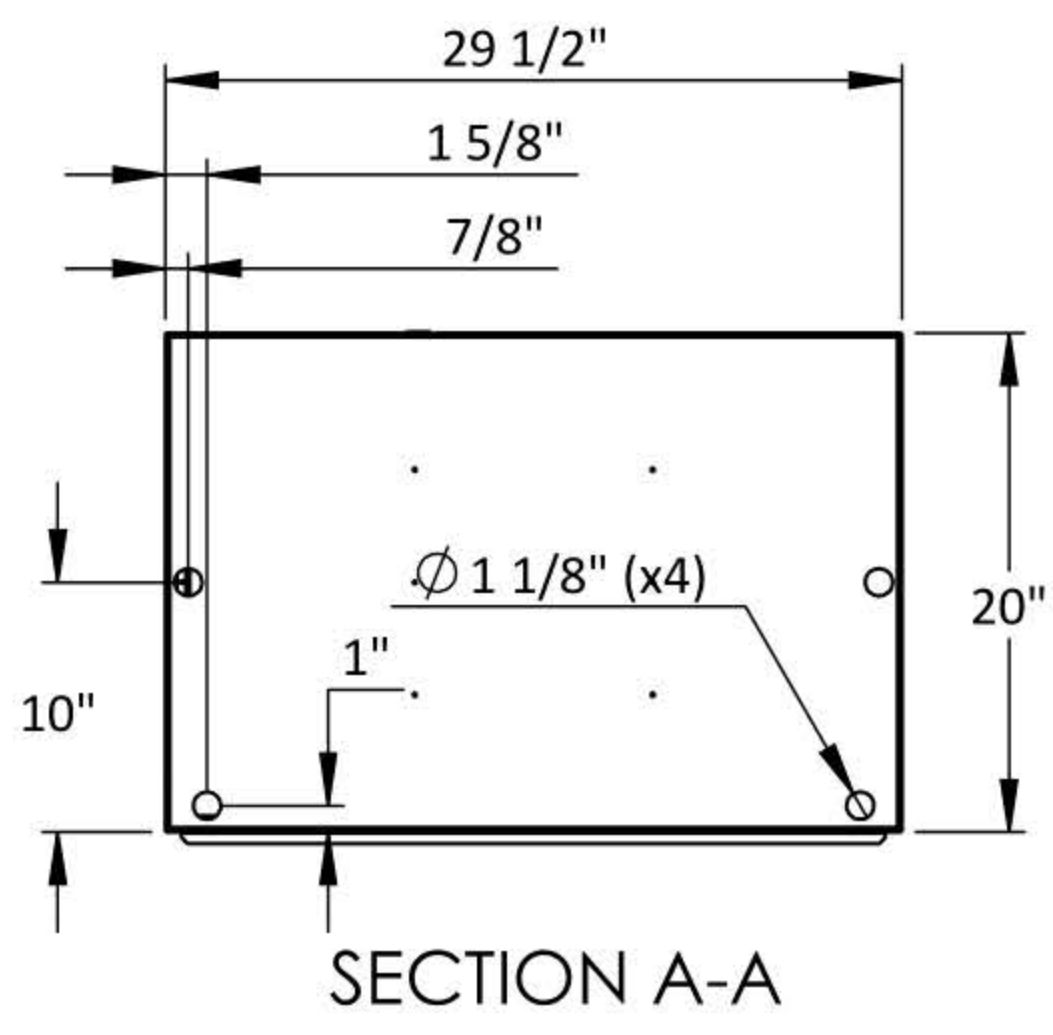
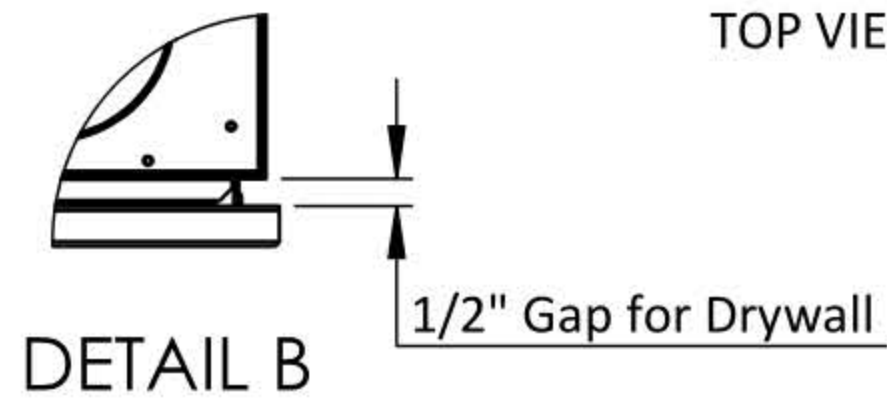
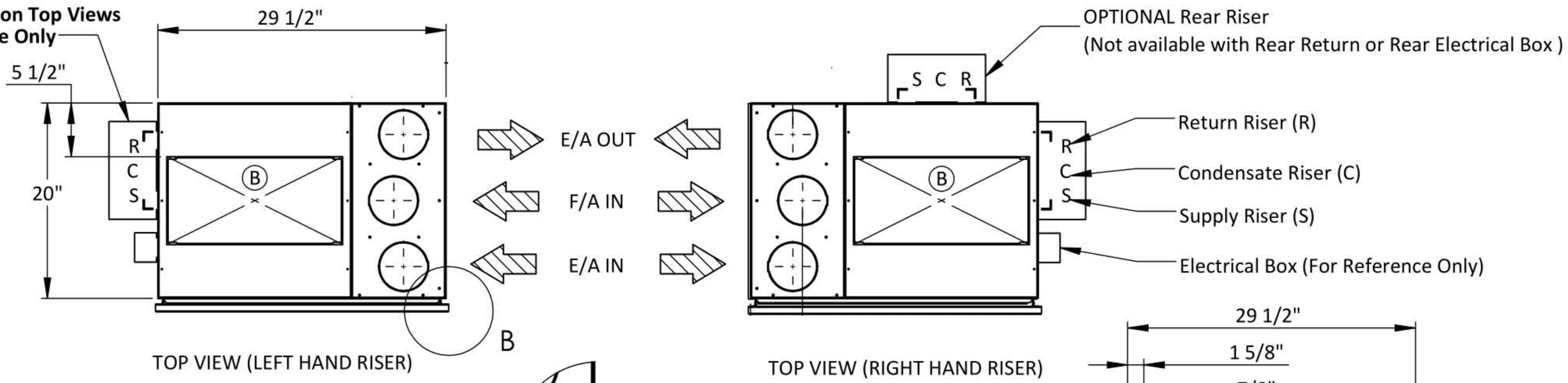


**REMARKS:**

- > Arrows toward unit show RETURN option.
- > Arrows away from unit show SUPPLY option.
- > Water Inlet / Outlet = 1/2" MPT.
- > Condensate Drain = 3/4" ID Hose.
- > Disposable Filter Included (16"H X 24"W X 1"T)
- > 18" long Supply, Return and Condensate Hose Included
- > Total Weight: 435lbs  
(Includes Cabinet, Chassis, Panel, Boot, and ERV)

- (A) - 16" x 8" KnockOuts for Supply Ducting
- (B) - 18" x 9" KnockOuts for Supply Ducting
- (C) - Electrical Box KnockOut for Electrical Connections  
Box Size (4.50" H X 3" W X 2.38" D)
- (D) - KnockOut For Flex. Hose Connection of Risers to Chassis  
for Return Air
- (E) - KnockOut For OPTIONAL 120V or 24V Relay for ERV Interlock with  
Toilet Exhaust - ERV Option Only
- (F) - Optional Cabinet Base Extensions (Various Heights Available)

**Template Drawings on Top Views  
Shown for Reference Only**



<p>UNLESS OTHERWISE SPECIFIED: DIMENSIONS ARE IN INCHES TOLERANCES UNLESS OTHERWISE NOTED ARE: FRACTIONAL ± 1/16" ANGULAR ± 0.5° X ± .1" XX ± .06" XXX ± .032" XXXX ± .0050"</p>	<p>THE INFORMATION CONTAINED IN THIS DRAWING IS THE SOLE PROPERTY OF CCG GROUP. ANY PRODUCTION IN PART OR AS A WHOLE WITHOUT THE WRITTEN PERMISSION OF CCG GROUP IS PROHIBITED.</p>	<p>NAME: AJM DATE: 12/10/2017</p>	<p><b>HomeKeeper ERV Cabinet</b></p> <p>Bulldog HKV016-030 ERV Cabinet Dimensional Data HKEC</p>
	<p>CHECKED: FL ENG APPR: AAR REV. 12/3/2020</p>	<p>Q.A.</p>	
	<p>DO NOT SCALE DRAWING</p>	<p>SCALE: NTS</p>	
	<p>SIZE: A DWG. NO.: HKV_ERV_DD REV. C</p>	<p>SHEET 1 OF 1</p>	