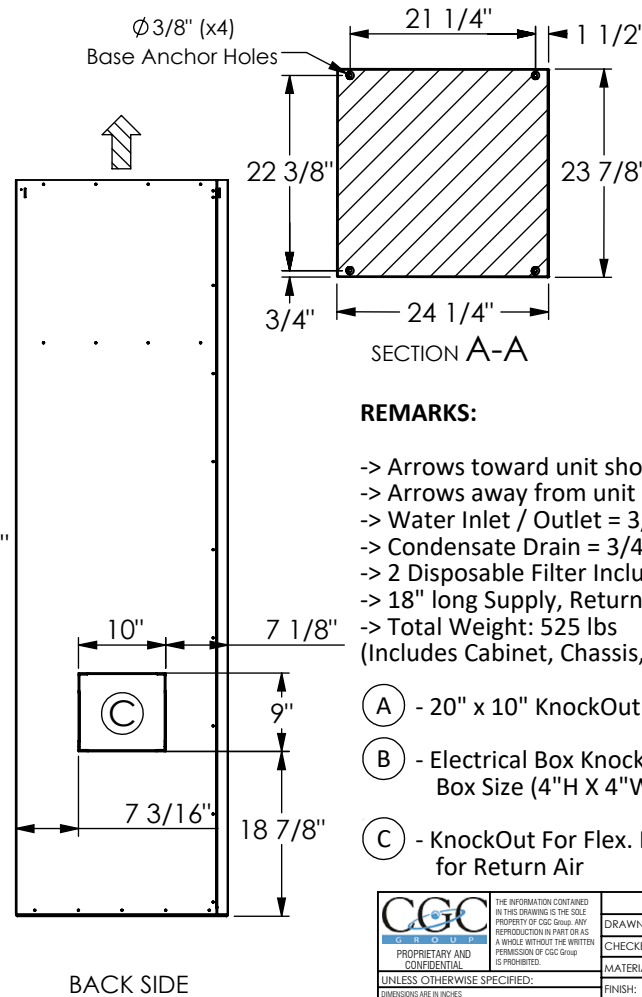
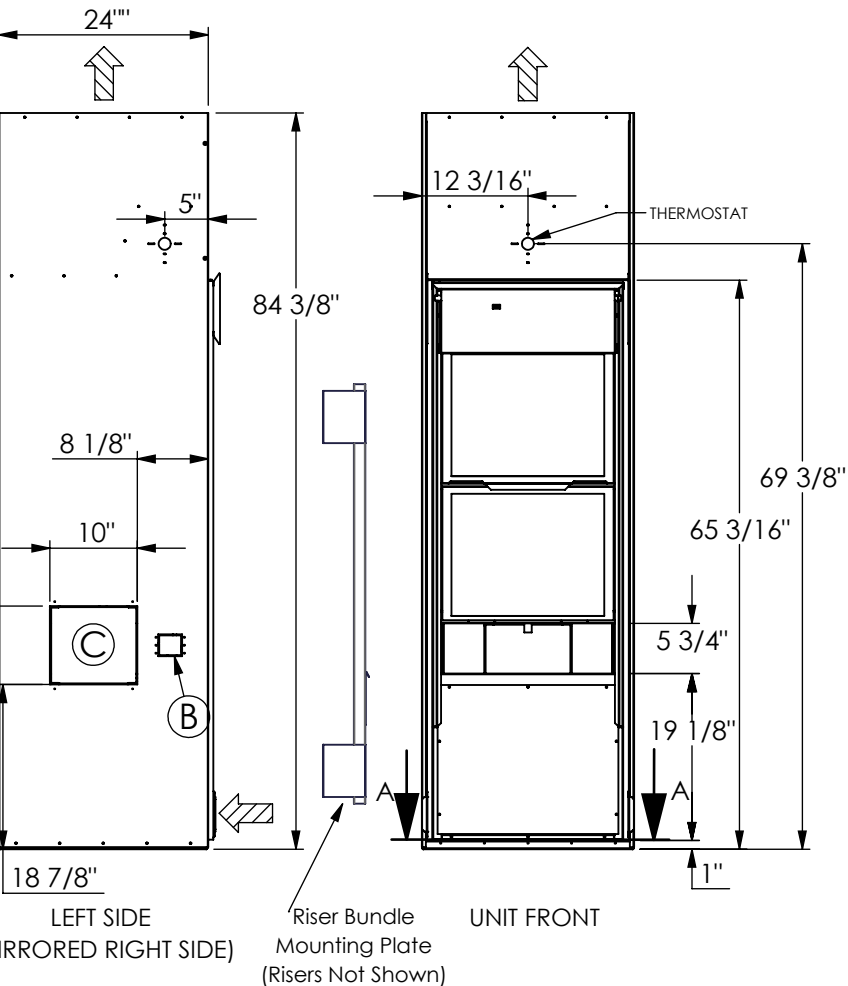
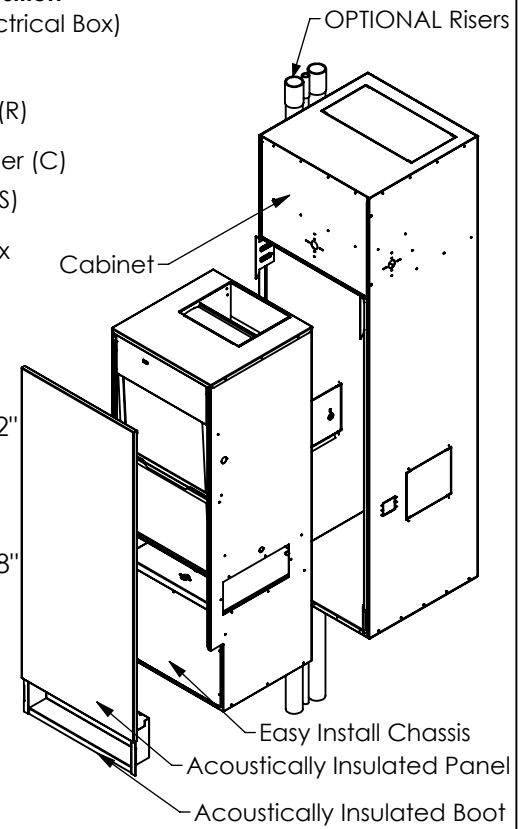
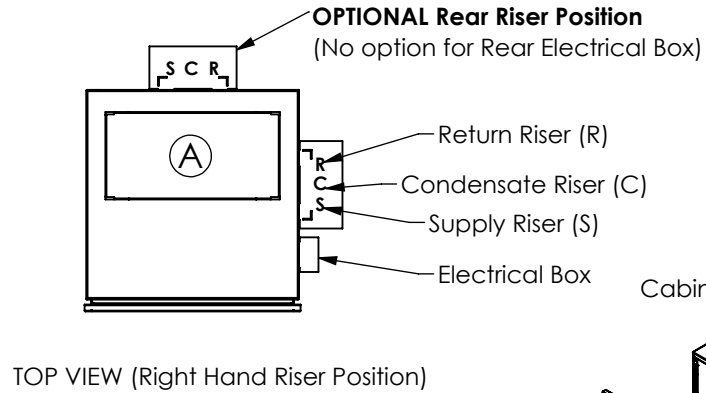
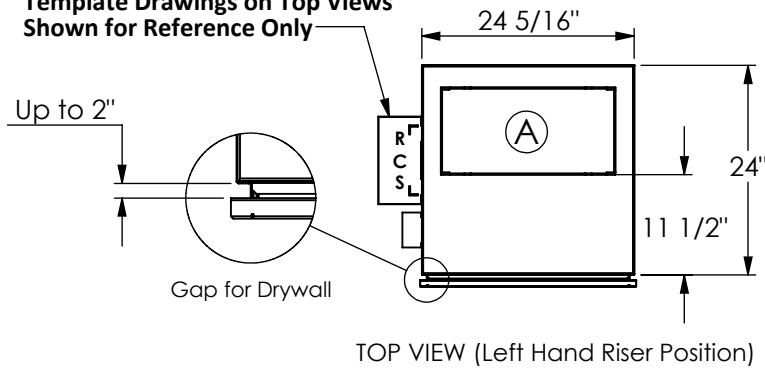


Template Drawings on Top Views
Shown for Reference Only



REMARKS:

- > Arrows toward unit show RETURN option.
- > Arrows away from unit show SUPPLY option.
- > Water Inlet / Outlet = 3/4" MPT.
- > Condensate Drain = 3/4" ID Hose.
- > 2 Disposable Filter Included (16"H X 20"W X 1")
- > 18" long Supply, Return and Condensate Hose Included
- > Total Weight: 525 lbs (Includes Cabinet, Chassis, Panel and Boot)

- (A) - 20" x 10" KnockOut for Top Supply Ducting
- (B) - Electrical Box KnockOut for Electrical Connections Box Size (4"H X 4"W X 2-1/4"D)
- (C) - KnockOut For Flex. Hose Connection of Risers to Chassis or for Return Air

<p>THE INFORMATION CONTAINED IN THIS DRAWING IS THE SOLE PROPERTY OF CSC Group. ANY REPRODUCTION IN PART OR AS A WHOLE WITHOUT THE WRITTEN PERMISSION OF CSC Group IS PROHIBITED.</p> <p>UNLESS OTHERWISE SPECIFIED, DIMENSIONS ARE IN INCHES.</p> <p>CONVERSIONS UNLESS OTHERWISE NOTED ARE:</p> <p>FRACTIONAL = 1/16" ANGULAR = 0.5° IN. = 1" XX. = 0.01" XXX. = 0.005" XXXX. = 0.0005"</p>	NAME:	DATE (MM/DD/YYYY):	PROJECT:
	DRAWN: AAR	12/16/2020	Homekeeper 2 Universal Cabinet
	CHECKED:		TITLE:
	MATERIAL:		Bulldog HKV036-048 Universal Cabinet Dimensional Data
FINISH:		SIZE DWG. NO.	REV.:
		A HKV2_UNIVERSAL_DD	B
		SCALE: NTS	SHEET 1 OF 1