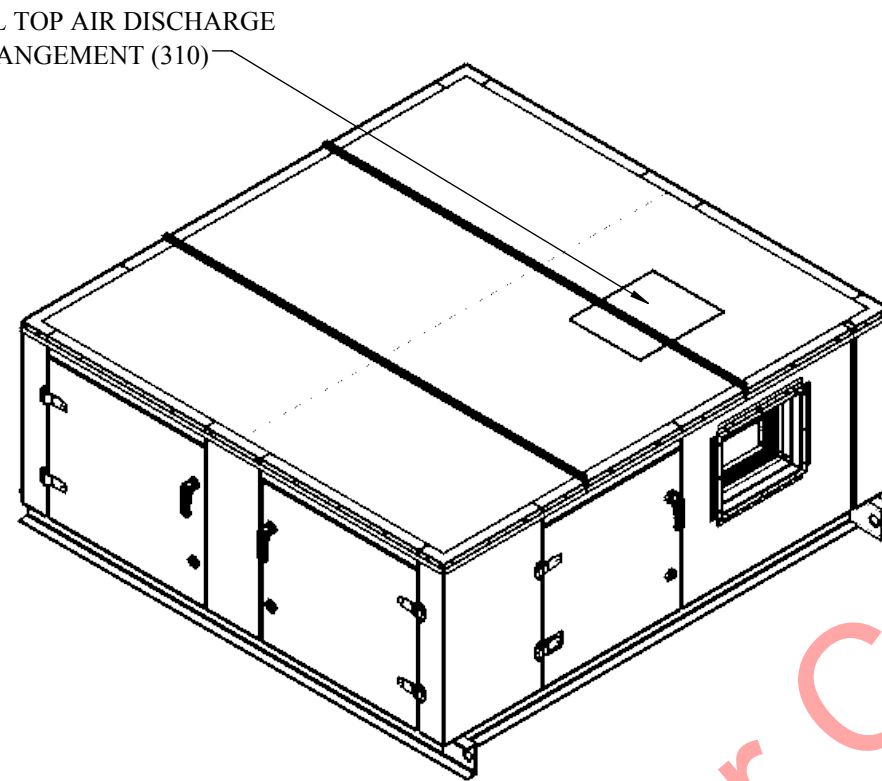


1. FLUID IN
2. FLUID OUT
3. CONDENSATE DRAIN x 2 (1 1/2" )
4. FILTERS ARE AS FOLLOWS:  
MERV8 PREFILTERS 24"X24"X2" (QTY:3)  
MERV13 BAG FILTERS 24"X24"X15" (QTY:3)
5. SUGGESTED AREA FOR ELECTRICAL CONNECTION  
TO BE FIELD INSTALLED BY OTHERS

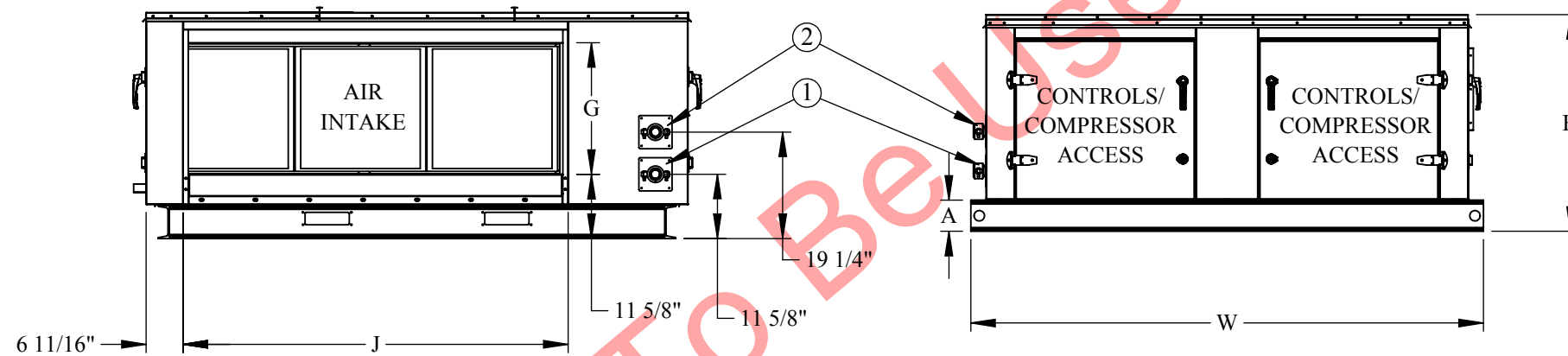
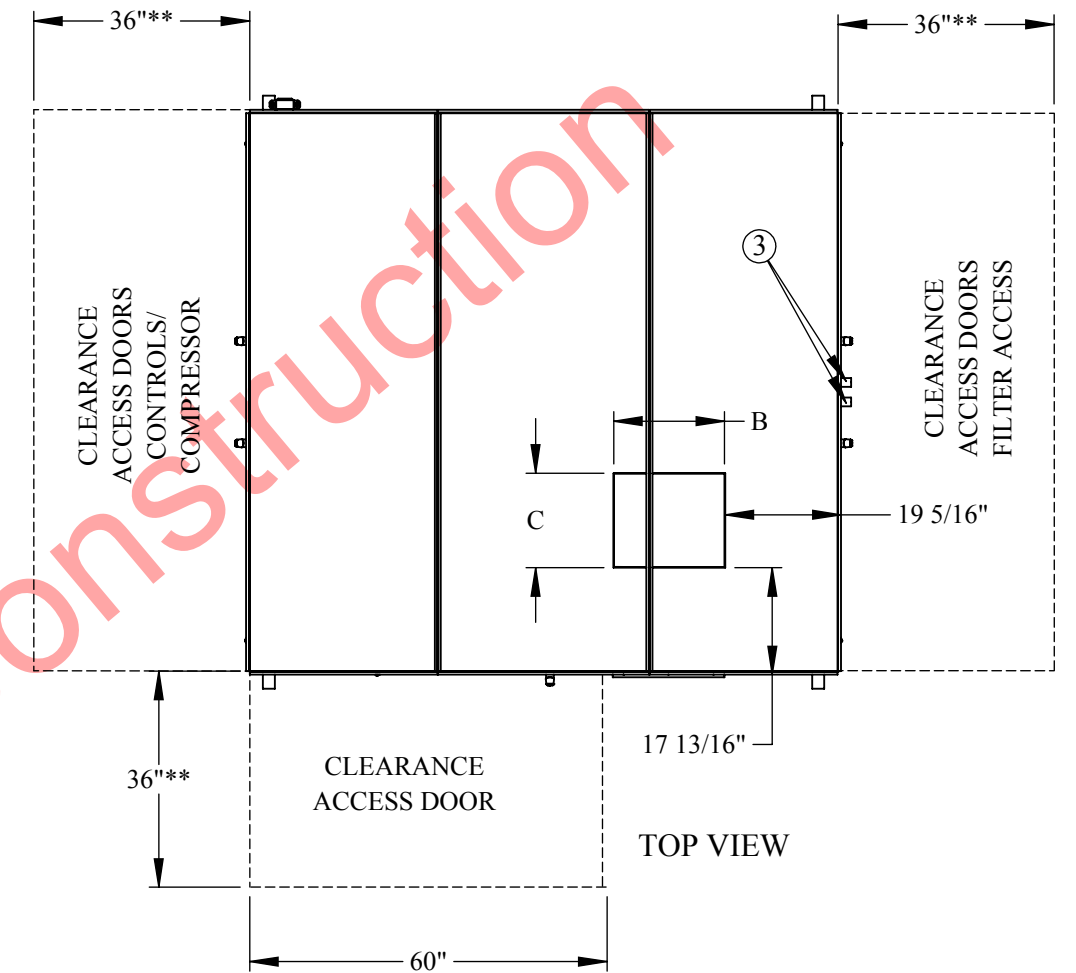
DISCLAIMER: DO NOT COVER UNIT NAMEPLATE  
WHILE MAKING THIS CONNECTION



CAPACITY (TONS)	WATER PIPE CONNECTIONS***	CONNECTION TYPES
5-10	1.25" (10 GPM - 20 GPM)	FEMALE THREADS
12-15	1.5" (24 GPM - 30 GPM)	FEMALE THREADS

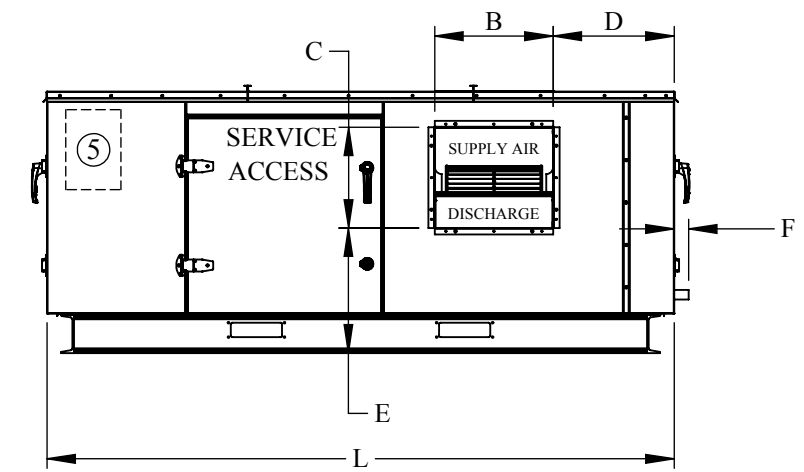
\*\* Minimum Clearance for Service

\*\*\* Based On 2 GPM/Ton



LEFT SIDE VIEW

FRONT VIEW



RIGHT SIDE VIEW

MODEL No.	PHYSICAL DATA (IN)										
	H	W	L	A	B	C	D	E	F	G	J
VPSA1XX	41 13/16"	98 7/8"	98"	6"	18 1/2"	15 3/4"	19 5/16"	19 1/2"	2 1/4"	23 13/16"	69 5/8"

	<small>THE INFORMATION CONTAINED IN THIS DRAWING IS THE SOLE PROPERTY OF CGC Group. ANY REPRODUCTION IN PART OR AS A WHOLE WITHOUT THE WRITTEN PERMISSION OF CGC Group IS PROHIBITED.</small>		NAME: AD DATE (MM/DD/YYYY): 05/14/2021	TITLE: <b>MAKE UP AIR UNIT STANDARD VARIPAK SIZE 1 (INDOOR)</b>
	<small>PROPRIETARY AND CONFIDENTIAL</small>	CHECKED: FS DATE (MM/DD/YYYY): 05/14/2021	MATERIAL: FINISH:	
<small>UNLESS OTHERWISE SPECIFIED:</small> DIMENSIONS ARE IN INCHES TOLERANCES UNLESS OTHERWISE NOTED ARE: FRACTIONAL ± 1/16" ANGULAR ± 0.5° .X: ± .1" .XX: ± .04" .XXX: ± .032" .XXXX: ± .0050"				DWG. NO.: <b>VPSA1XX</b>
SCALE: NTS				SHEET 1 OF 1