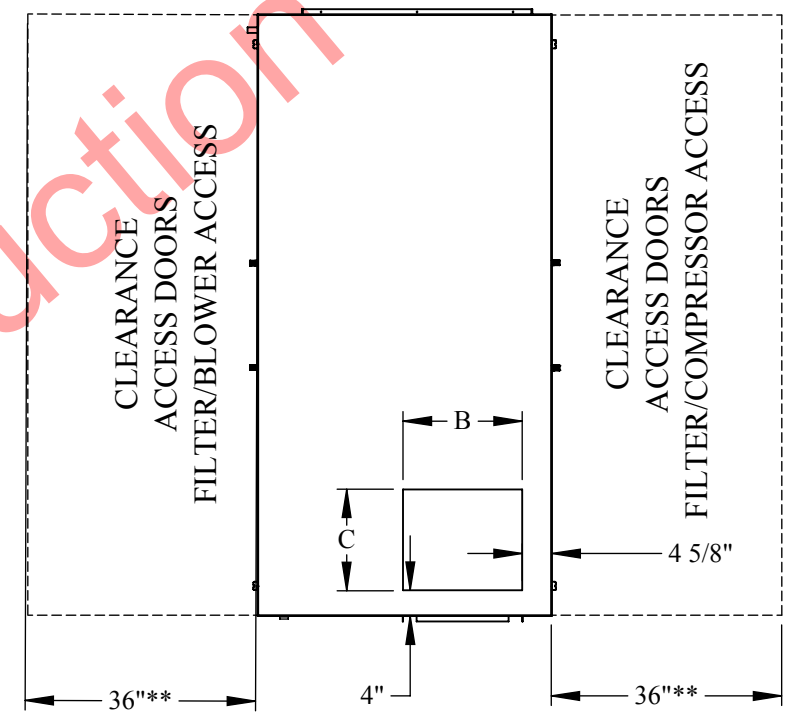
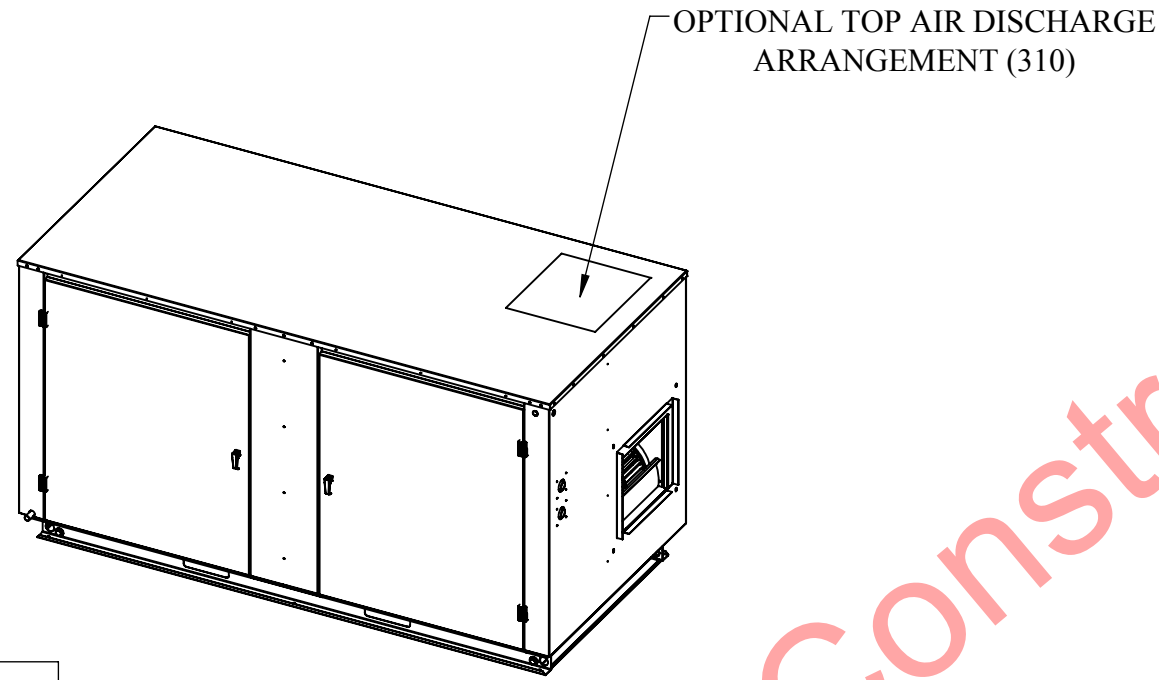


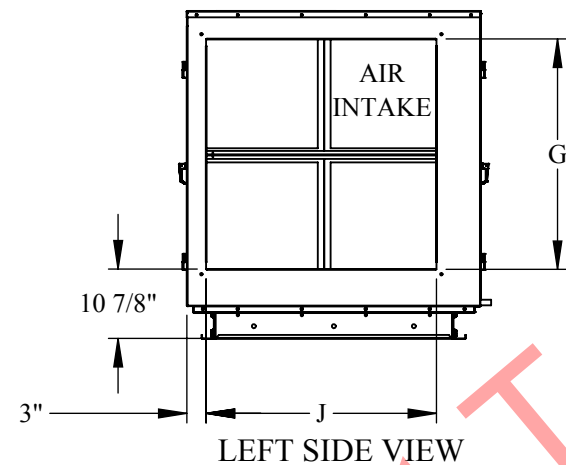
1. FLUID IN
2. FLUID OUT
3. CONDENSATE DRAIN (3/4" )
4. FILTER SIZE ARE AS FOLLOWS:  
MERV8 PREFILTERS 20"X20"X2" (QTY:4)  
MERV13 BAG FILTER SIZE 20"X20"X15" (QTY:4)
5. ELECTRICAL KNOCKOUT 7/8"



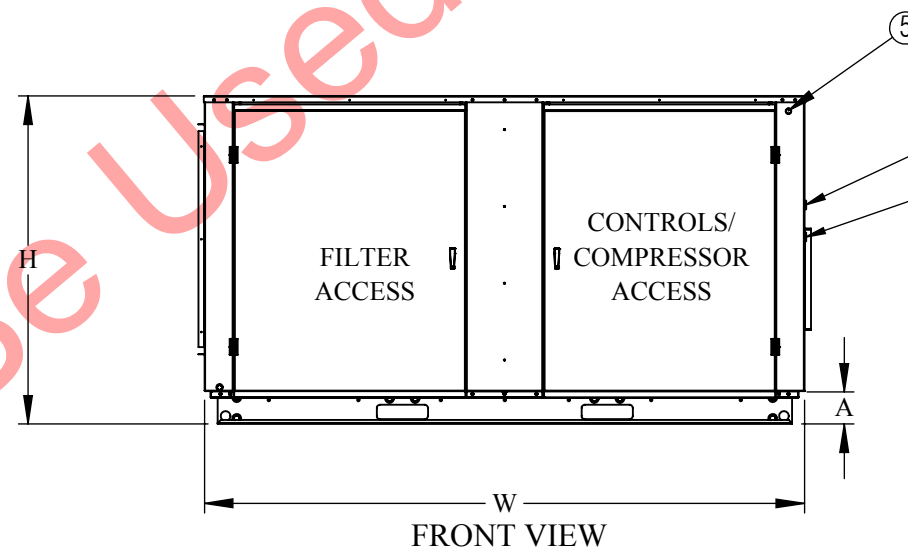
TOP VIEW

CAPACITY (TONS)	WATER PIPE CONNECTIONS***	CONNECTION TYPES
5-10	1.25" (10 GPM - 20 GPM)	FEMALE THREADS
12	1.5" (24 GPM)	FEMALE THREADS

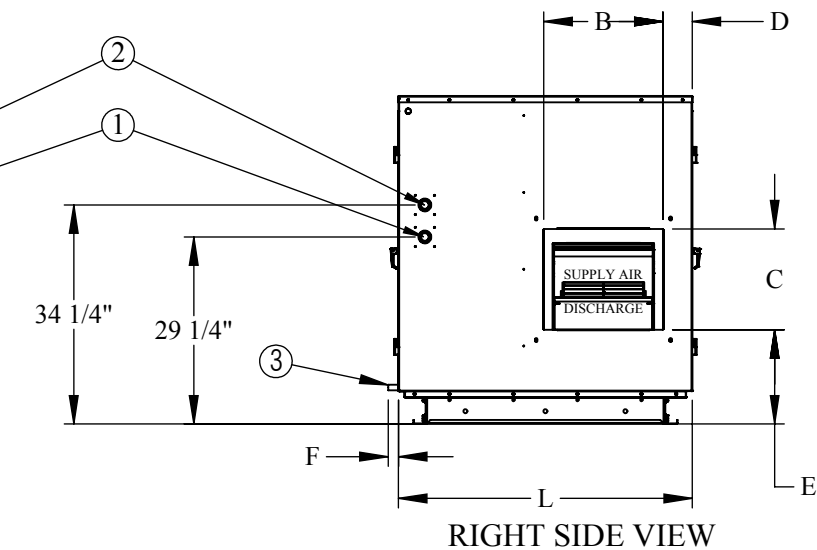
\*\* Minimum Clearance for Service  
\*\*\* Based On 2 GPM/Ton



LEFT SIDE VIEW



FRONT VIEW



RIGHT SIDE VIEW

MODEL No.	PHYSICAL DATA (IN)										
	H	W	L	A	B	C	D	E	F	G	J
VPSA0XX	51 1/4"	93 3/4"	45 7/8"	5"	18 5/8"	15 3/4"	4 5/8"	14 3/4"	1 5/8"	36"	36"

	<small>THE INFORMATION CONTAINED IN THIS DRAWING IS THE SOLE PROPERTY OF CGC Group. ANY REPRODUCTION IN PART OR AS A WHOLE WITHOUT THE WRITTEN PERMISSION OF CGC Group IS PROHIBITED.</small>		NAME: AD DATE (MM/DD/YYYY): 05/14/2021	TITLE: <b>MAKE UP AIR UNIT          STANDARD VARIPAK          SIZE 0 (INDOOR)</b>
	<small>UNLESS OTHERWISE SPECIFIED:</small>		CHECKED: FS DATE: 05/14/2021	
<small>DIMENSIONS ARE IN INCHES</small>		<small>TOLERANCES UNLESS OTHERWISE NOTED ARE:</small>		
<small>FRACTIONAL ± 1/16"</small> <small>ANGULAR ± 0.5°</small> <small>.X: ± .1"</small> <small>.XX: ± .04"</small> <small>.XXX: ± .032"</small> <small>.XXXX: ± .0050"</small>		<small>FINISH:</small>		
<small>PROPRIETARY AND CONFIDENTIAL</small>		<small>UNLESS OTHERWISE SPECIFIED:</small>		DWG. NO.: VPSA0XX
SCALE: NTS				SHEET 1 OF 1