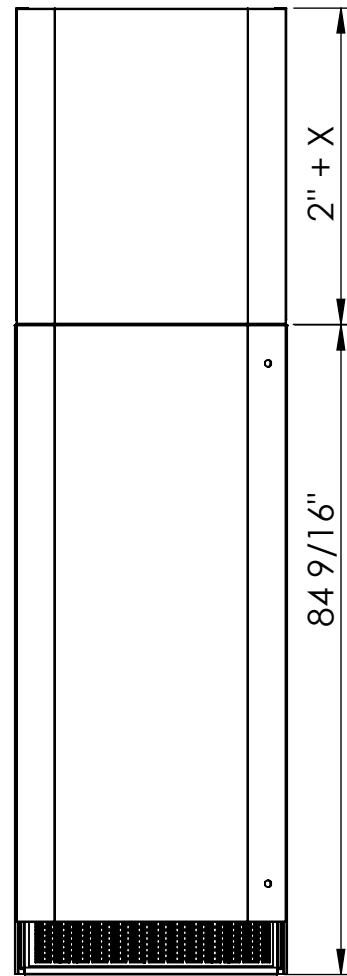
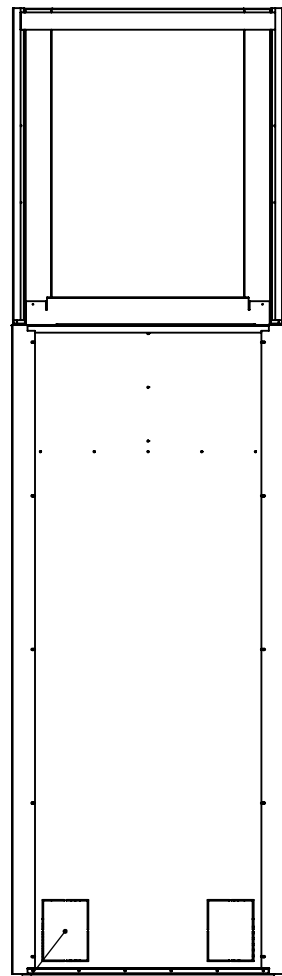


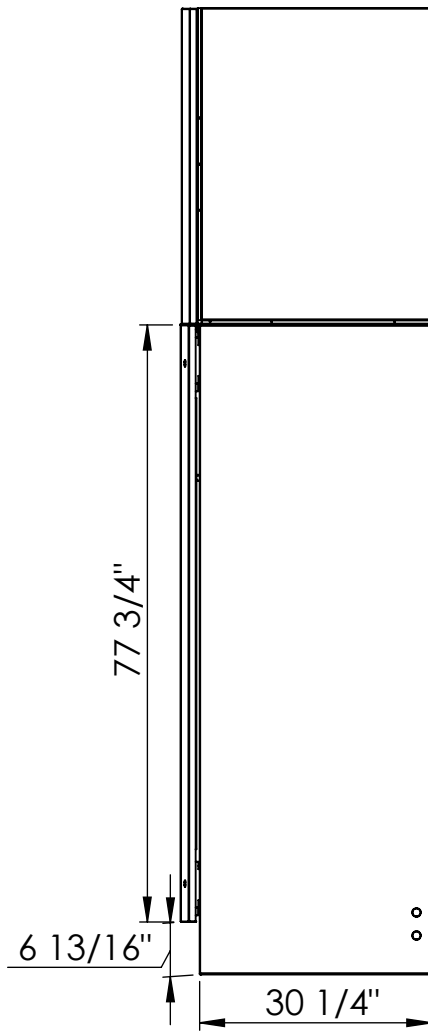
Front View



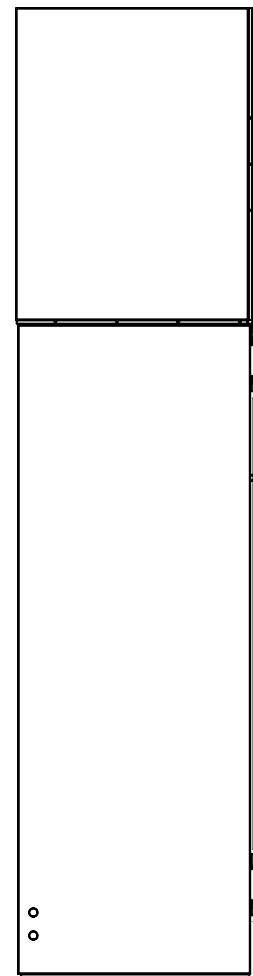
Back View



Right View



Left View

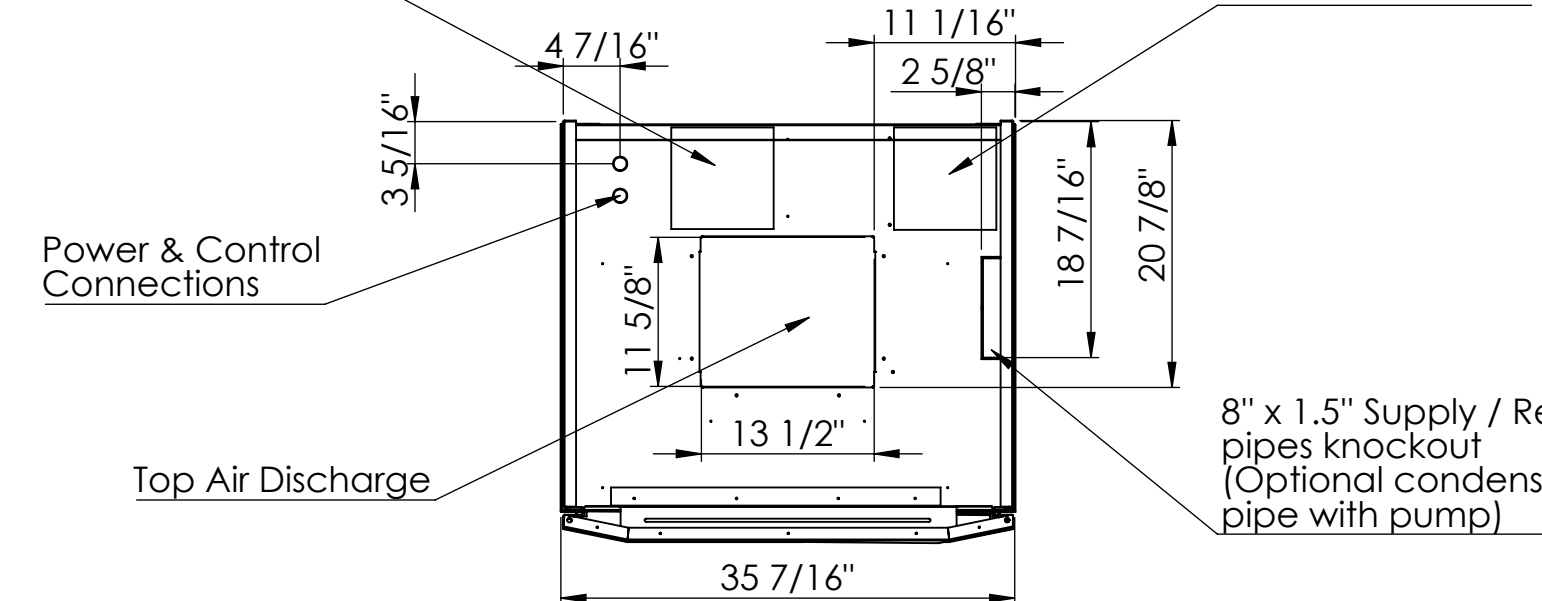


Service Knockouts

Top View

Exhaust Air Discharge
8" x 8"

Outdoor Air Intake
8" x 8"



Power & Control Connections

Top Air Discharge

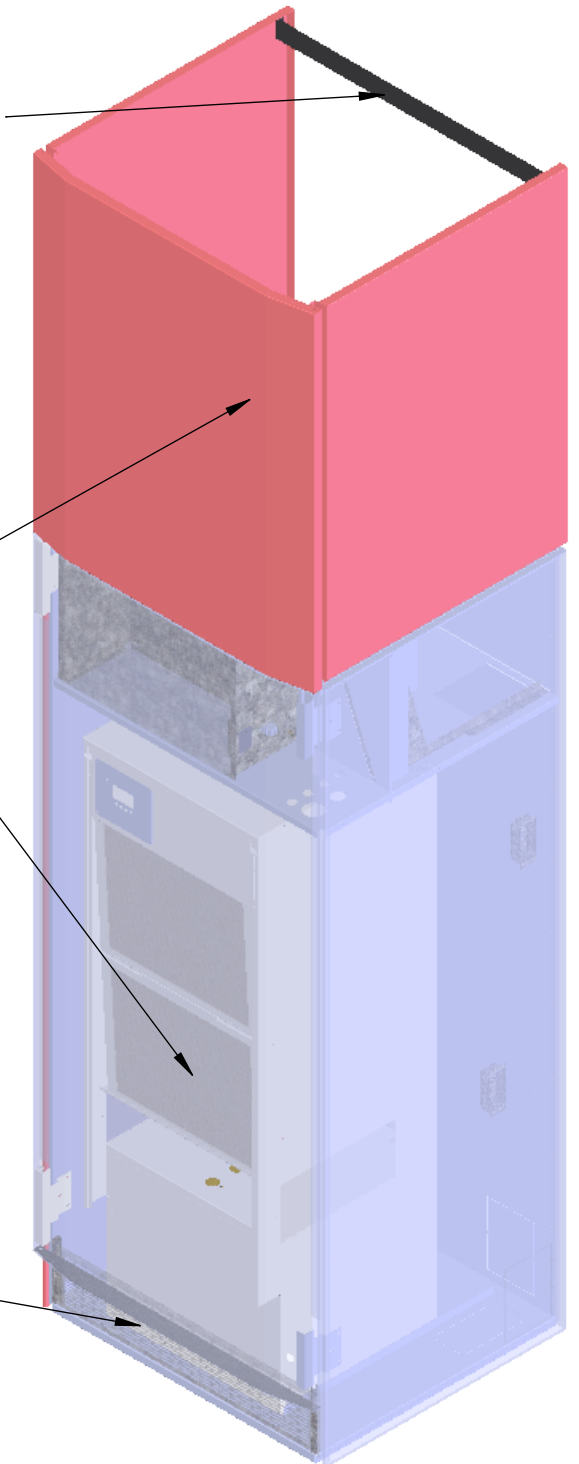
8" x 1.5" Supply / Return pipes knockout
(Optional condensate pipe with pump)

Rear Plenum support
(As required)

Decorative side panel
Available 2" to 46" High
(Optional)

Removable Chassis

Return Air Intake



Note:

- * Door may be hinged on either side. However, a minimum of 4" must be allowed on hinged side for proper unit access.
- * Ductwork and water connections to be completed by third party

<p>PROPRIETARY AND CONFIDENTIAL</p>	<p>THE INFORMATION CONTAINED IN THIS DRAWING IS THE SOLE PROPERTY OF CGC Group. ANY REPRODUCTION IN PART OR AS A WHOLE WITHOUT THE WRITTEN PERMISSION OF CGC Group IS PROHIBITED.</p>	NAME:	DATE (MM/DD/YYYY):	TITLE:
		DRAWN: DI	2020-01-21	Ducted KlassKeeper with optional decorative side panels
UNLESS OTHERWISE SPECIFIED: DIMENSIONS ARE IN INCHES		CHECKED:		MODEL:
TOLERANCES UNLESS OTHERWISE NOTED ARE:		MATERIAL:		KKV 024-048
FRACTIONAL ± 1/16"		FINISH:		SIZE DWG. NO.
ANGULAR ± 0.5°				B
.X ± .1"				REV.: A
.XX ± .06"				
.XXX ± .032"				
.XXXX ± .0050"				
		SCALE: NTS	WEIGHT: lbs	SHEET 1 OF 1