



SimpleComfort® SC2010L

Terminations

RC RH C W Y O B G

SINGLE-STAGE HEAT/COOL

Non-Programmable

Simple control for year-round comfort. This easy-to-operate comfort command center allows you to match temperature to your family's lifestyle. Attractive, extra-rugged, highly reliable and accurate, this thermostat's elegant design will look and perform like new for years to come.



- Single-stage heat/cool
- Single-stage heat pump
- New ICM patented Thermal Intrusion Barrier
- Large display with backlight
- Accuracy: $\pm 1^{\circ}\text{F}$
- Adjustable temperature differential
- Dual powered
- Manual changeover
- Easy access terminal block
- Field adjustable calibration
- 4- or 5-wire compatible
- High temperature protection
- Freeze protection
- Zoning system compatible
- Soft-touch controls
- Keypad lockout



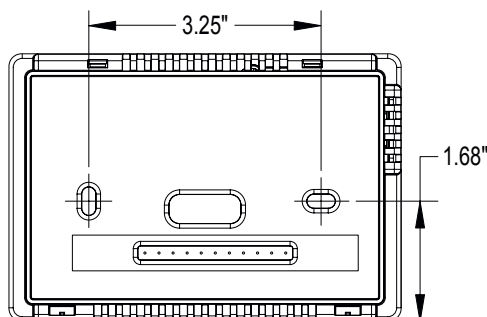
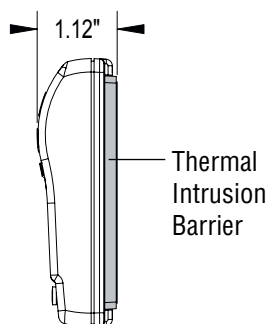
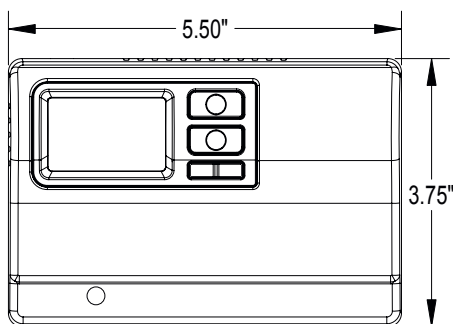
SC2010L



- One-stage heat/one-stage cool
- Heat pump, gas, oil or electric systems
- 4- or 5-wire compatible
- Manual changeover

Non-Programmable Single-Stage Heat/Cool or Single-Stage Heat Pump Dual Powered

Dimensions



Specifications

Electrical Rating:

- 24 VAC (18-30 VAC)
- 1 amp maximum per terminal
- 3 amp maximum total load
- Easy access terminal block

Temperature Control Ranges:

- 45°F to 90°F, Accuracy: $\pm 1^\circ\text{F}$

System Configurations:

- Single-stage heat, single-stage cool or single-stage heat pump, gas, oil, electric

Terminations:

- SC2010L: **RC, RH, C, W, Y, O, B, G**

Specifications subject to change without notice.

NEW Thermal Intrusion Barrier

Exclusive, patented insulation technology eliminates thermal drift caused by wall effect.



If you like this model, be sure to try out these other thermostats from ICM Controls!

SimpleComfort® PRO Series – Innovation and technology that simplifies installation and increases profitability!

- Flexible 7-day, 5-2-day and 5-1-1-day programming (programmable models)
- ICM's patented Thermal Intrusion Barrier
- ICM's patent-pending SimpleSet™ Target Programming technology
- Large display with backlight
- Permanent memory
- Auto or manual changeover
- Field adjustable calibration
- Configurable remote sensor compatible
- Keypad lockout
- Soft-touch controls

Programmable Thermostats

- SC5010** – One-stage heat/cool or heat pump, dual powered
- SC5011** – One-stage heat/cool or heat pump, hardwired
- SC5211** – Two stage heat pump, hardwired
- SC5811** – Two-stage heat/cool or heat pump, hardwired
- SC5812** – Three-stage heat/two-stage cool or heat pump, dual fuel compatible, hardwired
- SC5813** – Three-stage heat/ two-stage cool or single or dual compressor heat pump, hardwired

Non-Programmable Thermostats

- SC4010** – One-stage heat/cool or heat pump, dual powered
- SC4011** – One-stage heat/cool or heat pump, hardwired
- SC4211** – Two stage heat pump, hardwired
- SC4811** – Two-stage heat/cool or heat pump, hardwired
- SC4812** – Three-stage heat/two-stage cool or heat pump, dual fuel compatible, hardwired