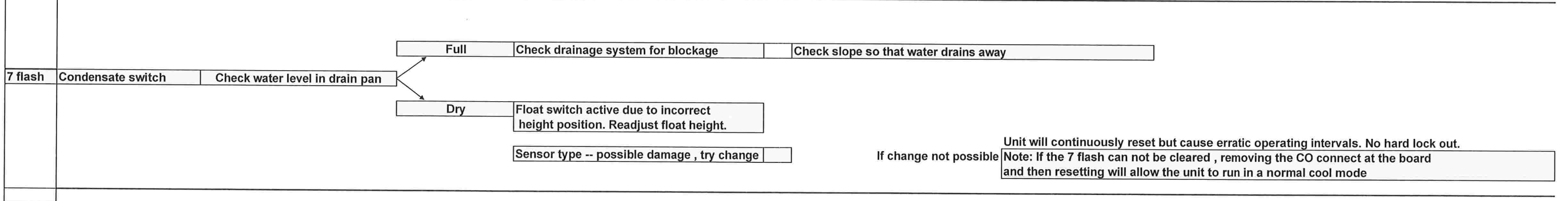
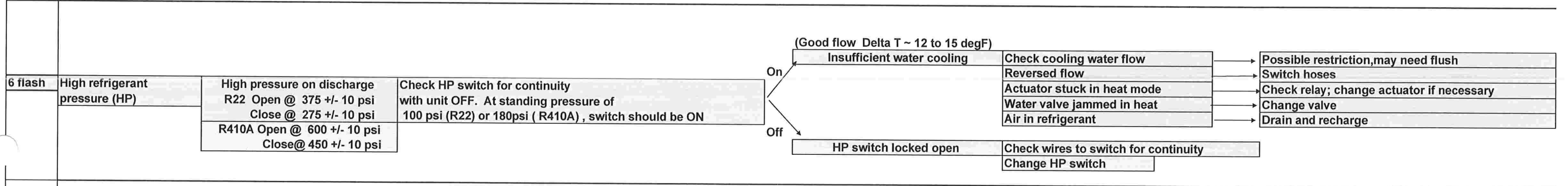
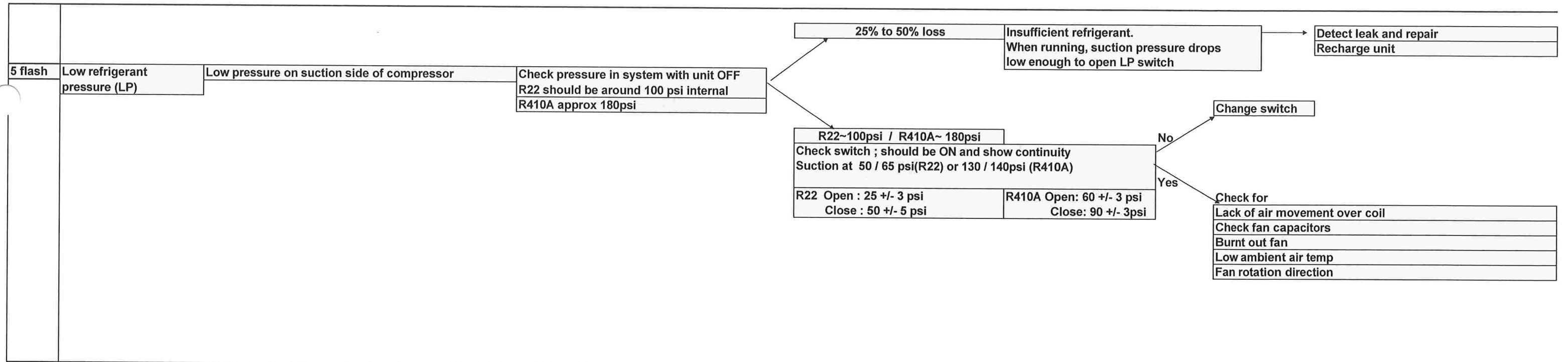


Service Trouble Shooting Guide 6/2012

The following code flashes will manifest when the unit sensors or switches have detected a problem outside of their performance parameters
 The unit may have locked out and the compressor will not be running or in stasis with the diagnosis light flashing.
 The safeties are all designed to protect the compressor

Code Flash							
None	Standby						
1 flash	Cool call in place	OK , compressor running	No alarms in place				
				Check following: Temp @ sensor location ? Sensor opens @ 40 deg F, resets @ 65 deg F Loose sensor or wiring → Reconnect; reset board Restricted air flow → Remove any obstructions Low fan efficiency → Check fan rotation direction Ambient air too cold → Air too cold for cool mode	Fan Capacitors	Note: Sensor will reset when it reaches its operating range. Unit will then resume its cool call to compressor.	
2 flash	Low refrigerant temp (T/R)	Check resistance of sensor Approx 14K ohms @ 65 deg F	YES	NO	Replace sensor		
				Check following: Location of sensor - is it on condensor water OUT line?			
3 flash	Water outlet temp(T/W)	Check resistance of sensor Approx 14K ohms @ 65 deg F	YES	NO	Replace sensor	Temp of supply water ? Optimum temp 85 - 125 deg F Sensor disables compressor > 140 degF OFF < 55 degF ON > 60 DegF OFF > 140 degF ON < 120 degF Advise maintenance to lower or raise loop temperature if necessary	Note: Sensor will reset when it reaches its operating range. Unit will then resume its cool call to compressor.
4 flash	Low Air Temp(T/A)	Check resistance of sensor Approx 14K ohms @ 65 deg F	YES	NO	Replace sensor	Intake air too cold Air at fan enclosure too cold 40 degF sensor OFF 55 deg sensor ON	Note: Sensor will reset when it reaches it operating range. Unit will then resume its cool call to the compressor.



Miscellaneous Problems

