

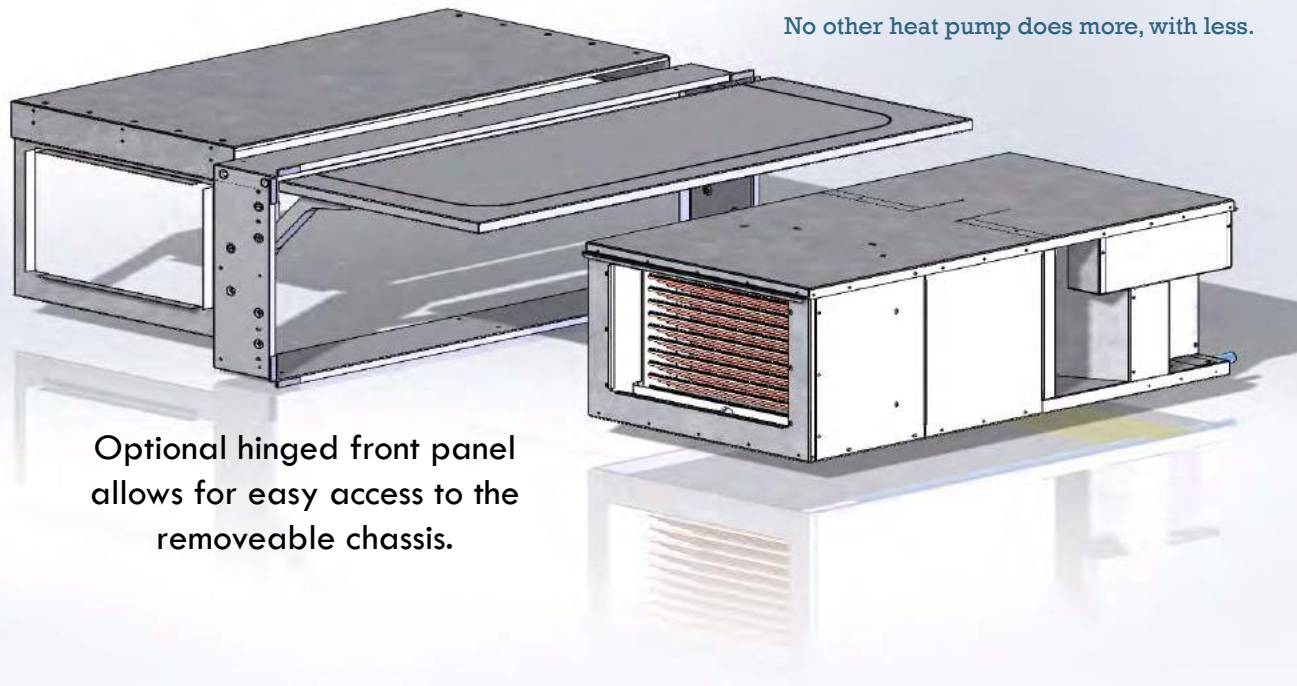
The Industry needs a unit
that can reduce
downtime...



THE BULLDOG SIDEWINDER with slide out chassis
fills that need.



- Removable chassis allows ease of maintenance
- Ideal for hotels and assisted living
- Both new installations and retrofits
- Installed in unused space above closet, freeing up valuable floor space
- Positive pressure condensate drainage (no traps required)



Optional hinged front panel allows for easy access to the removeable chassis.

SideWinder SWD Models 008-015
3/4 - 1 1/4 tons
20"W x 15"H x 38"D

Conventional, permanently hung, horizontal heat pumps would take 2-3 days to replace or repair. This results in 2-3 days of loss revenue and comfort. The cost of cutting through the drywall to get to the unit is another large expense you don't want to incur.

With the slide out chassis of a Bulldog SideWinder, it requires only 2-3 hours to replace a unit with a spare chassis, drastically reducing the downtime and expense.

The Industry needs a Bulldog.

