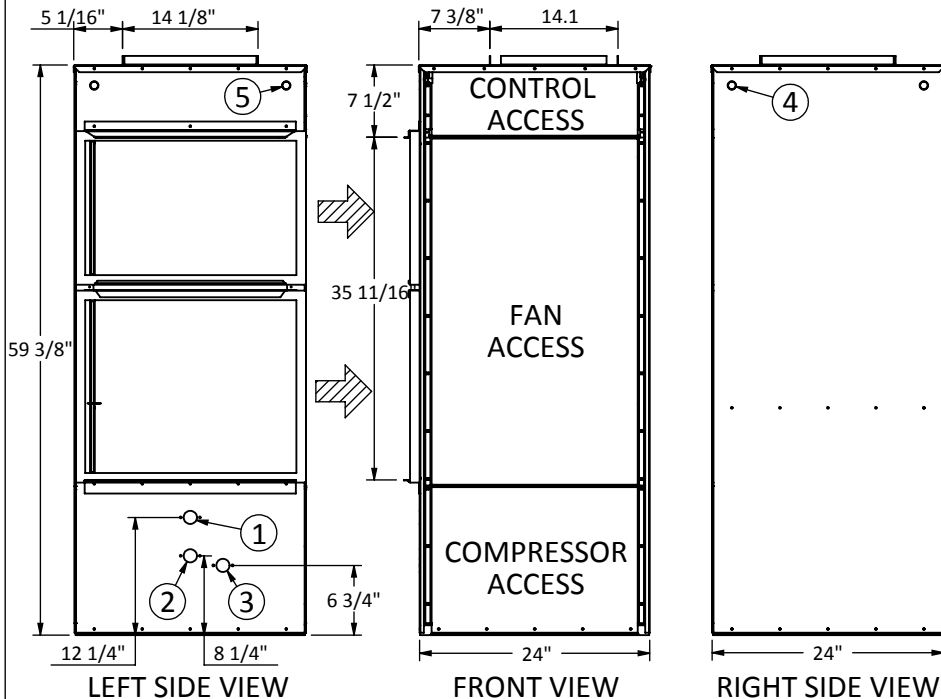
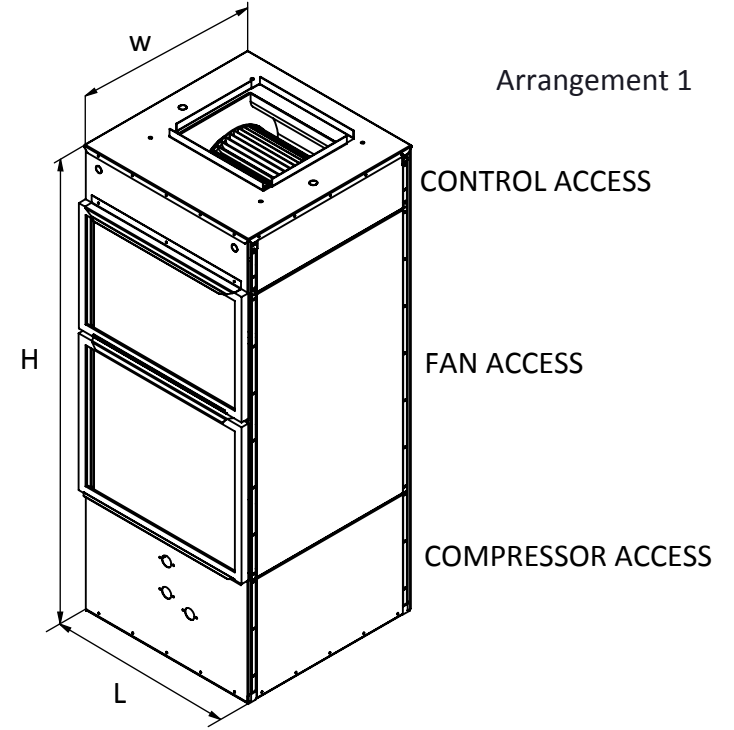


- ① Water Outlet, 3/4" FPT
- ② Water Inlet, 3/4" FPT
- ③ Condensate Drain, 3/4" FPT
- ④ High Voltage Access, 7/8"
- ⑤ Low Voltage Access, 7/8"



PHYSICAL DATA [in]							RECOMMENDED MIN. SERVICE CLEARANCE		
W	L	H	SUP. AIR x H	W	RET. AIR W x H	UNIT WT	A	B	C
24	24	59 3/8	14.13 x 14.13	20	20 x 36	325 lbs	2	36**	6*

* 6" if return is not ducted.

** Recommended for closet door open (Closed door 2")

REMARKS:

1. Pleated disposable filter included. (20" x 24" x 1" & 16" X 24" X 1")
2. Right side electrical access available.
3. Left return unit (ARR. 1), right return unit (ARR. 2).
4. Water piping on same side as filter access.

DIMENSIONAL DATA				
<p>THE INFORMATION CONTAINED IN THIS DRAWING IS THE SOLE PROPERTY OF CGC GROUP. ANY PRODUCTION IN PART OR AS A WHOLE WITHOUT THE WRITTEN PERMISSION OF CGC GROUP IS PROHIBITED.</p> <p>UNLESS OTHERWISE SPECIFIED:</p> <p>DIMENSIONS ARE IN INCHES TOLERANCES UNLESS OTHERWISE NOTED ARE: FRACTIONAL = 1/16" ANGULAR = 0.5° X: = 1° XX: = 0.6° XXX: = 0.52° XXXX: = 0.050"</p>	NAME	DATE (MM/DD/YYYY)	<p>BULLDOG SpaceKeeper Vertical Heat Pump Models SKV-042 through SKV-060</p> <p>SIZE A DWG. NO. SKV042-060 REV. B</p> <p>SCALE: NTS WEIGHT: SHEET 1 OF 1</p>	
	DRAWN	K.F		06/24/2013
	CHECKED			
	ENG APPR.	F.A.L		01/09/2015
REV.	M.R.H	03/19/2018		
COMMENTS:				
DO NOT SCALE DRAWING				