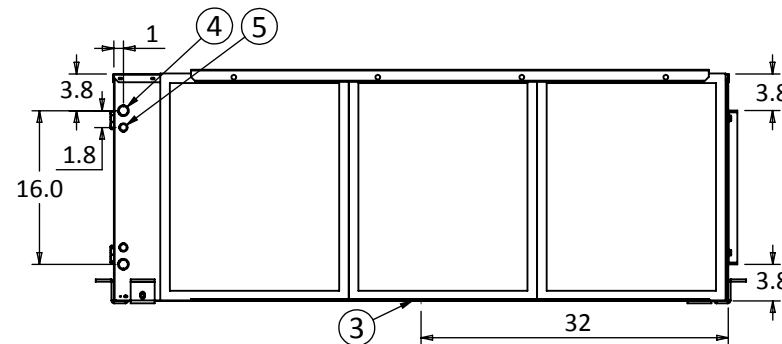
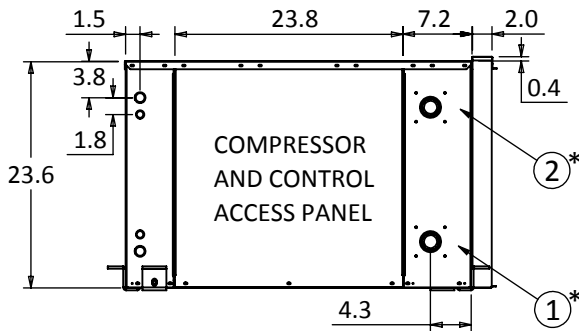
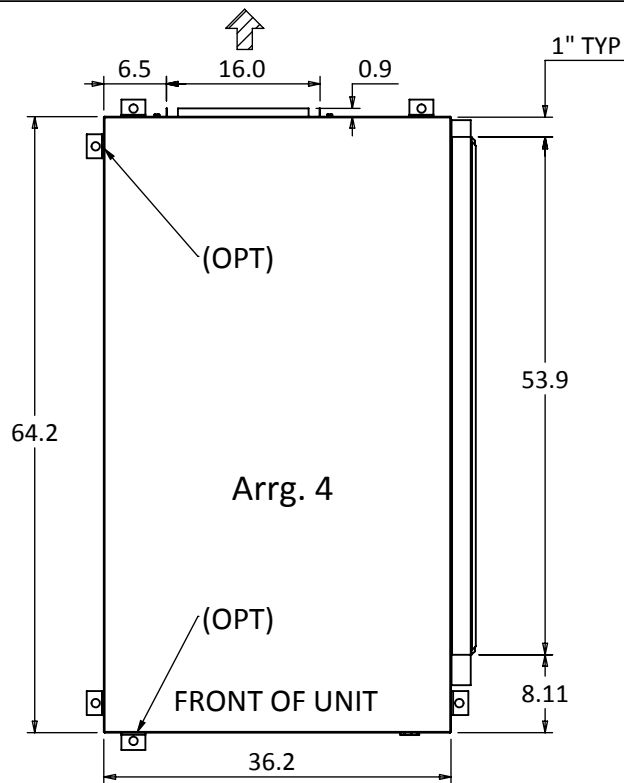
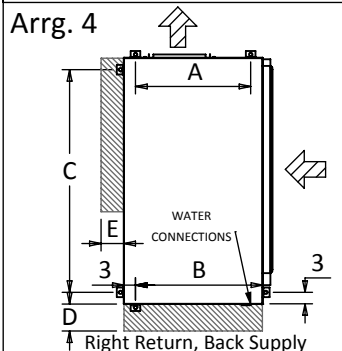
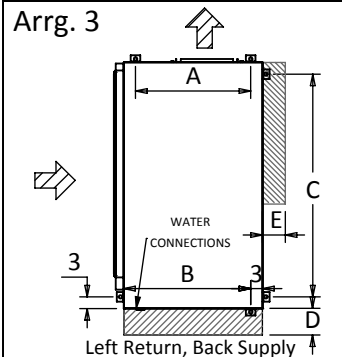
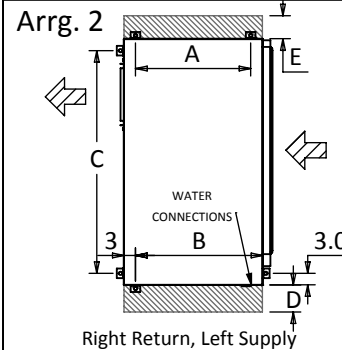
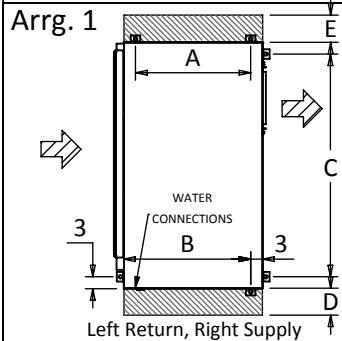


CONFIGURATIONS POSSIBLE



- ① Water Inlet, 1-1/4" FPT
- ② Water Outlet, 1-1/4" FPT
- ③ Condensate Drain, 3/4"
- ④ High Voltage Access, 1-1/8" Knockout
- ⑤ Low Voltage Access, 7/8" Knockout

REMARKS:

- i) Disposable fiberglass filters included. (3 - 20" x 24" x 1")
- ii) Rubber in shear isolation included.
- iii) Arrangement 4 is shown to provide essential dimensions.
- iv) Hanging clips to be placed one in each corner. Recommended position is shown. (OPT) = Optional positioning.
- v)* Water connections are positioned on the same side as the return air.

| PHYSICAL DATA [in] | | | | | | HANGAR DIMENSIONS | | | MIN. SERVICE CLEARANCE REQUIRED | |
|--------------------|----|----|------------------|------------------|---------------|-------------------|----|----|---------------------------------|----|
| W | L | H | SUP. AIR (W x H) | RET. AIR (W x H) | UNIT WT (lbs) | A | B | C | D | E |
| 36 | 64 | 24 | 16 x 16 | 54 x 20 | | 30 | 33 | 58 | 30 | 18 |

LEGEND:

(OPT) = OPTIONAL

= Service Clearance

= Direction of Air

(ID) = Inside Dimension



THE INFORMATION CONTAINED IN THIS DRAWING IS THE SOLE PROPERTY OF CGC GROUP. ANY PRODUCTION IN PART OR AS A WHOLE WITHOUT THE WRITTEN PERMISSION OF CGC GROUP IS PROHIBITED.

| NAME | DATE (MM/DD/YYYY) |
|----------------------|-------------------|
| DRAWN: MRH | 6/25/2018 |
| CHECKED: | |
| ENG APPR.: | |
| REV.: | |
| Q.A.: | |
| COMMENTS: | |
| DO NOT SCALE DRAWING | |

DIMENSIONAL DATA

BULLDOG SpaceKeeper Horizontal Heat Pump Models SKH-070 through SKH-100

| | | |
|---------------|--------------------------------|---------------|
| SIZE A | DWG. NO. SKH_070-100_DD | REV. C |
| SCALE: NTS | WEIGHT: | SHEET 1 OF 1 |