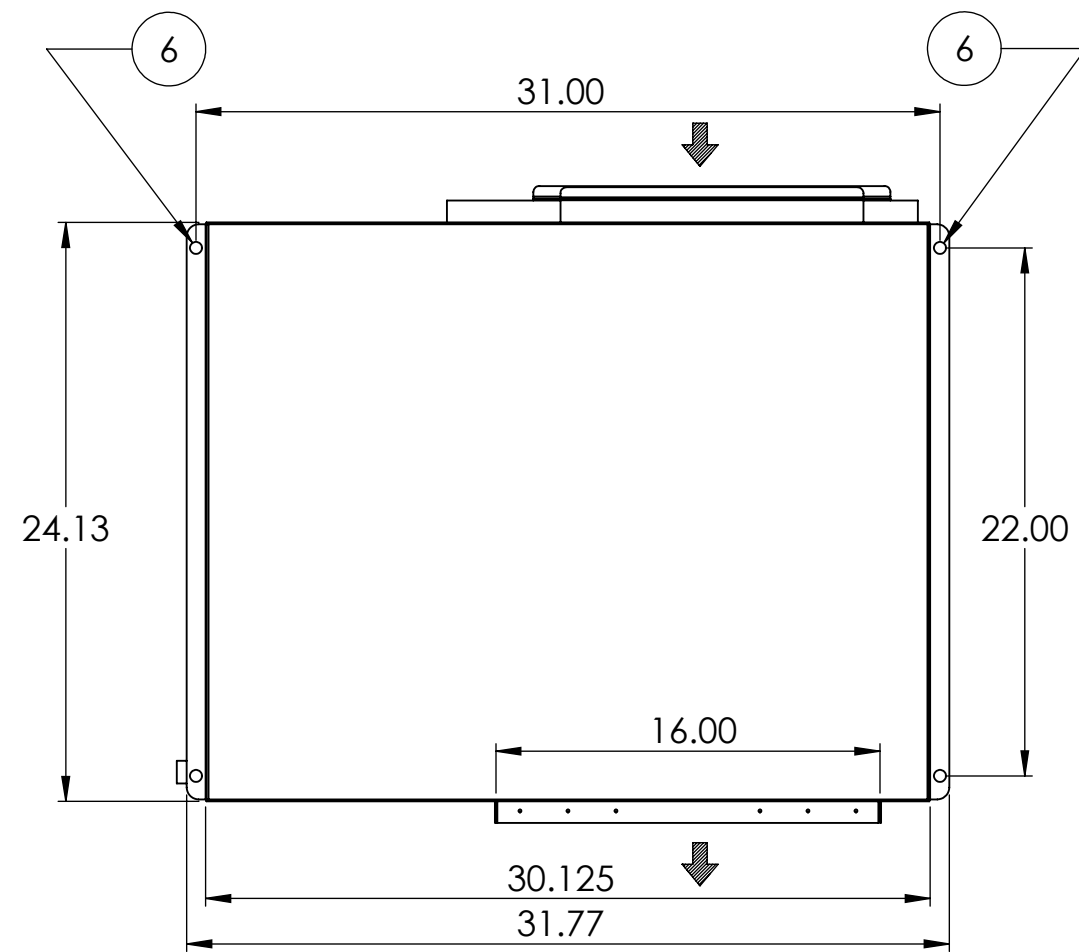
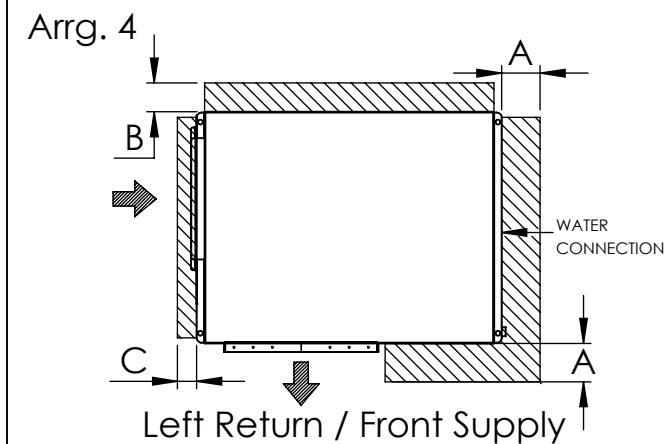
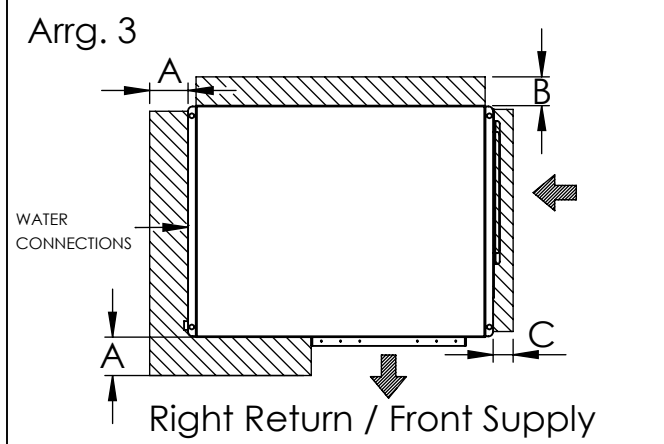
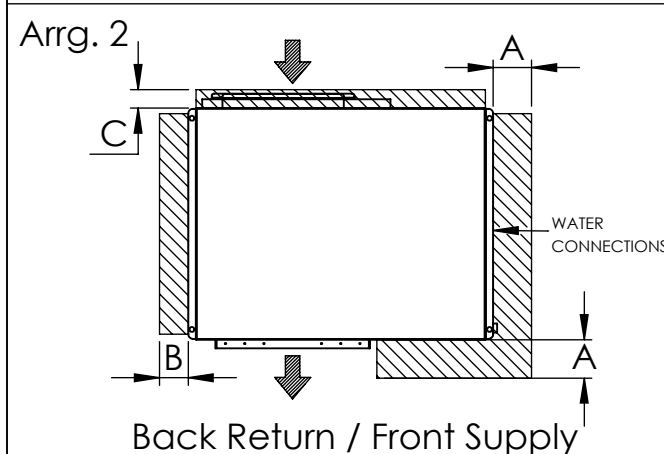
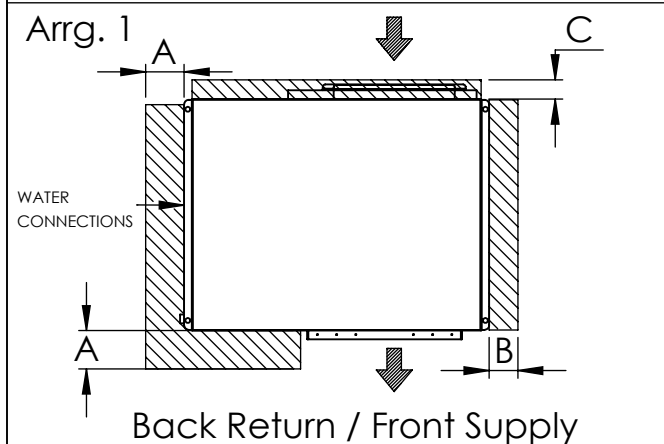
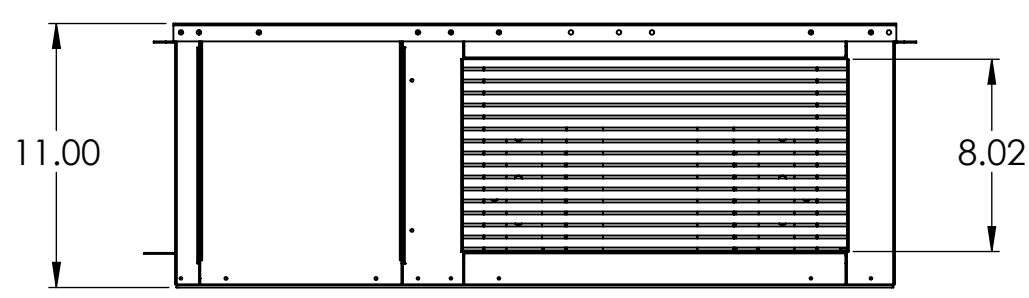


SLK008-015 Dimensional Diagram

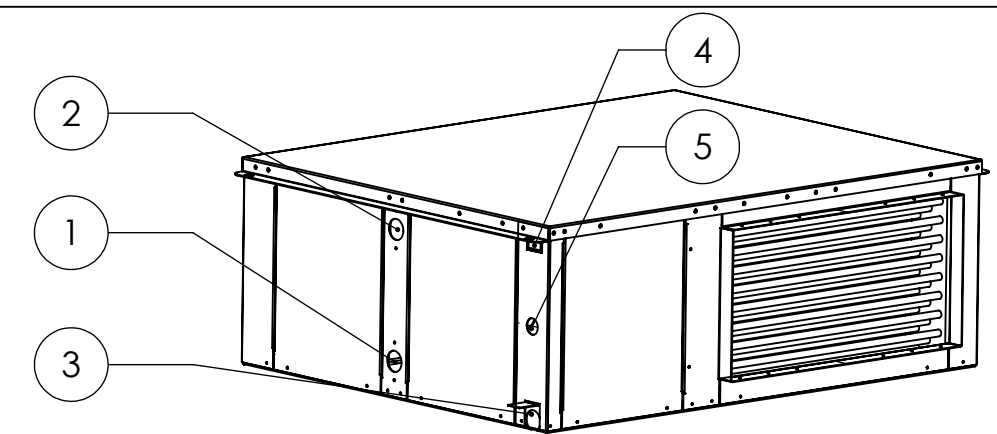
CONFIGURATIONS POSSIBLE



TOP VIEW



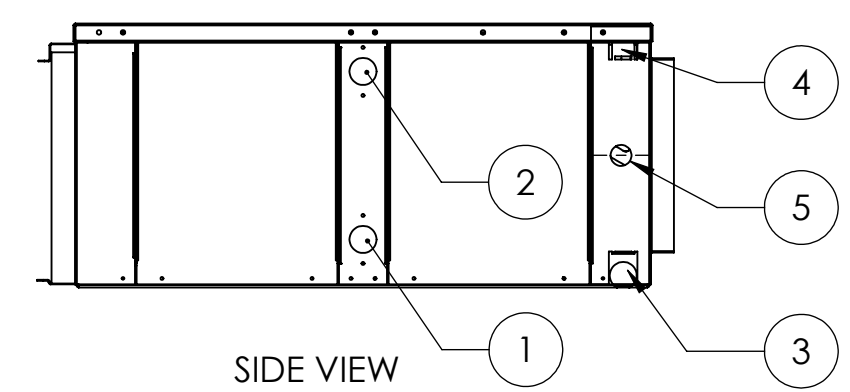
FRONT VIEW



1. Water Inlet, 1/2" FPT
2. Water Outlet, 1/2" FPT
3. Condensate Drain, 3/4" Tube
4. High Voltage Power Cord Complete with NEMA 6-15 Plug
5. Low Voltage Access, 7/8"
6. Hanging Points

REMARKS:

- i) Rubber is shear isolation included.
- ii) One disposable fiberglass filter included (10" x 20" x 1")
- iii) Drain pan is under positive pressure. Trap not required
- iv) Arrangement 1 is shown
- v) For proper servicing of the refrigerant circuit, the unit should be lowered to ground level and the top panel should be removed.
- vi) This unit is a Blow Through unit instead of CGC Group's standard Draw Through unit.
- vii) The Return air panel is 13" x 9"



SIDE VIEW

| PHYSICAL DATA [in] | |
|----------------------|-------------------|
| SUPPLY AIR, W x H | RETURN AIR, W x H |
| 16" X 8" | 12.875" x 9.125" |
| CLEARANCE DIMENSIONS | |
| A | 24" |
| B | 18" |
| C | 6" |



PROPRIETARY AND CONFIDENTIAL

DIMENSIONS ARE IN INCHES
TOLERANCES UNLESS OTHERWISE NOTED ARE:

| | | | |
|------------|---------|--------|----------|
| FRACTIONAL | ± 1/16" | .XX: | ± .06" |
| ANGULAR | ± 0.5° | .XXX: | ± .032° |
| .X: | ± .1° | .XXXX: | ± .0050° |

THE INFORMATION CONTAINED IN THIS DRAWING IS THE SOLE PROPERTY OF CGC GROUP. ANY PRODUCTION IN PART OR AS A WHOLE WITHOUT THE WRITTEN PERMISSION OF CGC GROUP IS PROHIBITED.

| | NAME | DATE (MM/DD/YYYY) |
|-----------|----------------------|-------------------|
| DRAWN | AJM | 10/12/2017 |
| CHECKED | F.A.L | 10/12/2017 |
| ENG APPR. | | |
| MFG APPR. | | |
| Q.A. | | |
| COMMENTS: | DO NOT SCALE DRAWING | |

| DIMENSIONAL DATA | | |
|---|----------|------|
| BULLDOG SlimKeeper Horizontal Heat Pump Models SLK-008 through SLK-015 | | |
| SIZE | DWG. NO. | REV. |
| A | | |
| WEIGHT: | | |