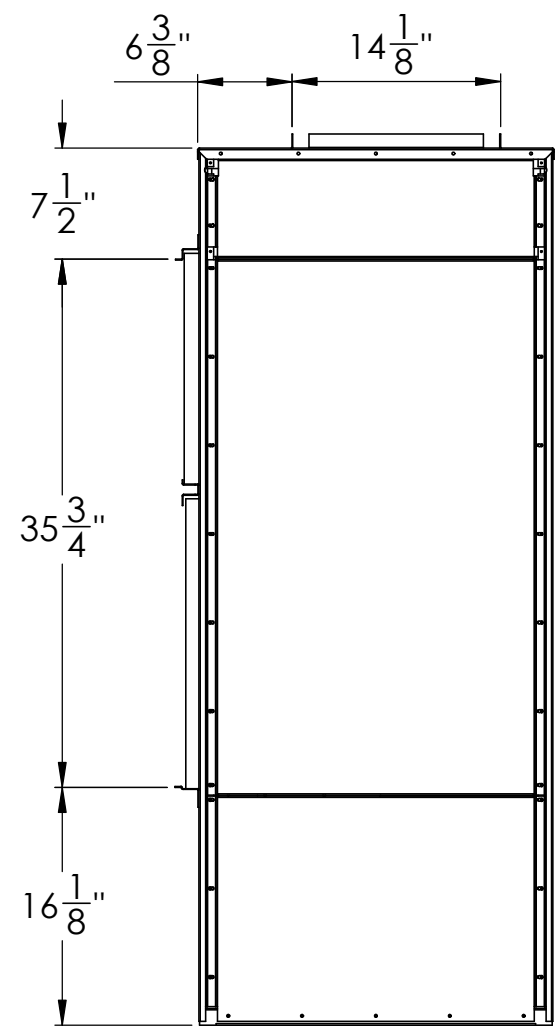
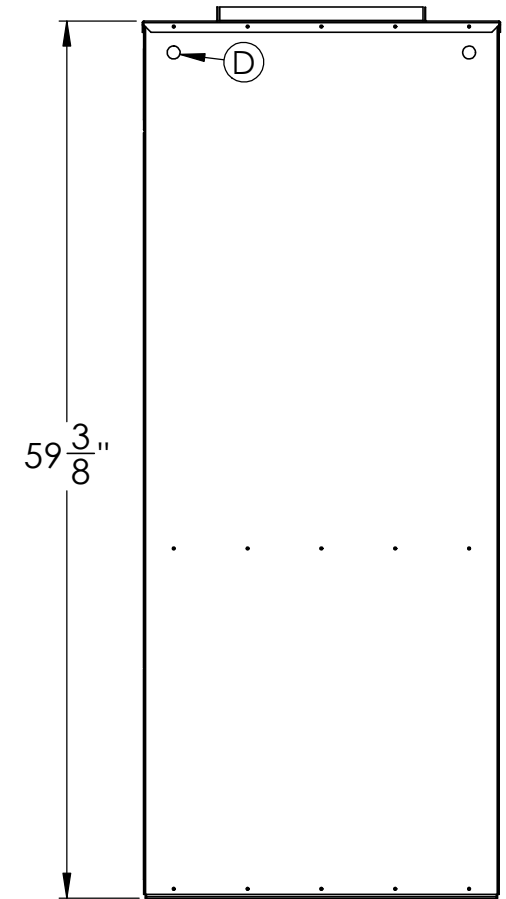


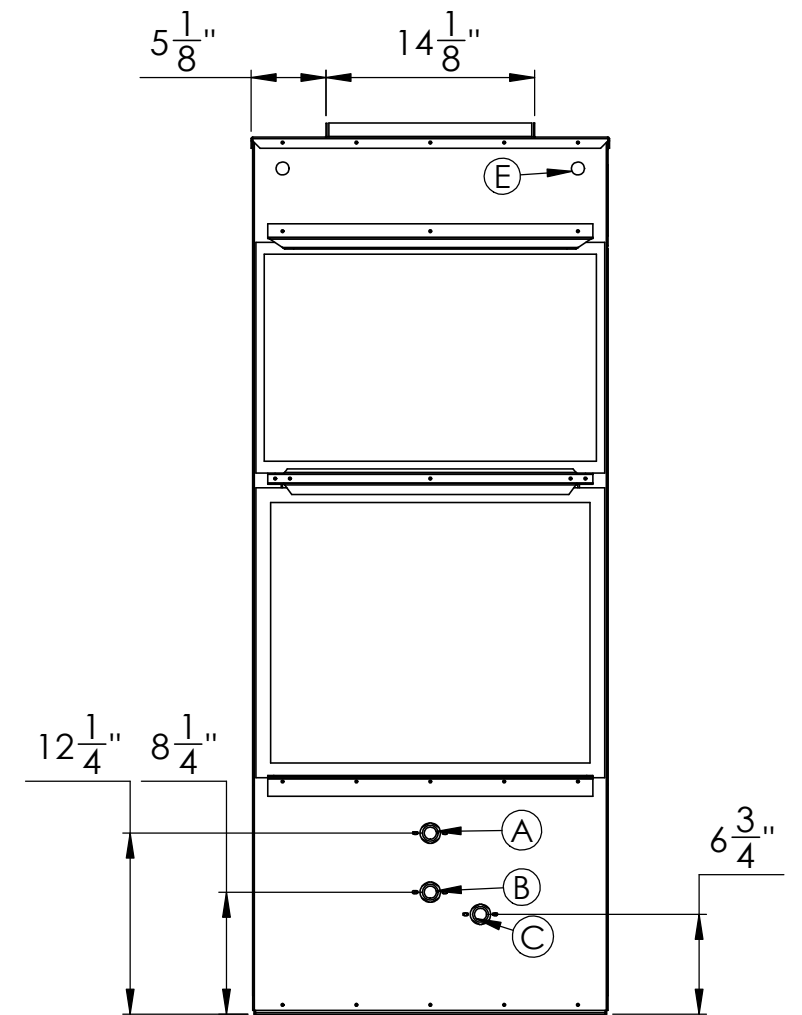
TOP VIEW



FRONT VIEW



RH SIDE VIEW



LH SIDE VIEW

REMARKS:

- Two Pleated Disposable Filter Included (20" x 24" x 1") & (16" x 24" x 1").
- Right Side Electrical Access Available.
- Water Piping on Same Side as Filter Access.
- Left Return Unit (ARRG. 1), Right Return Unit (ARRG. 2).

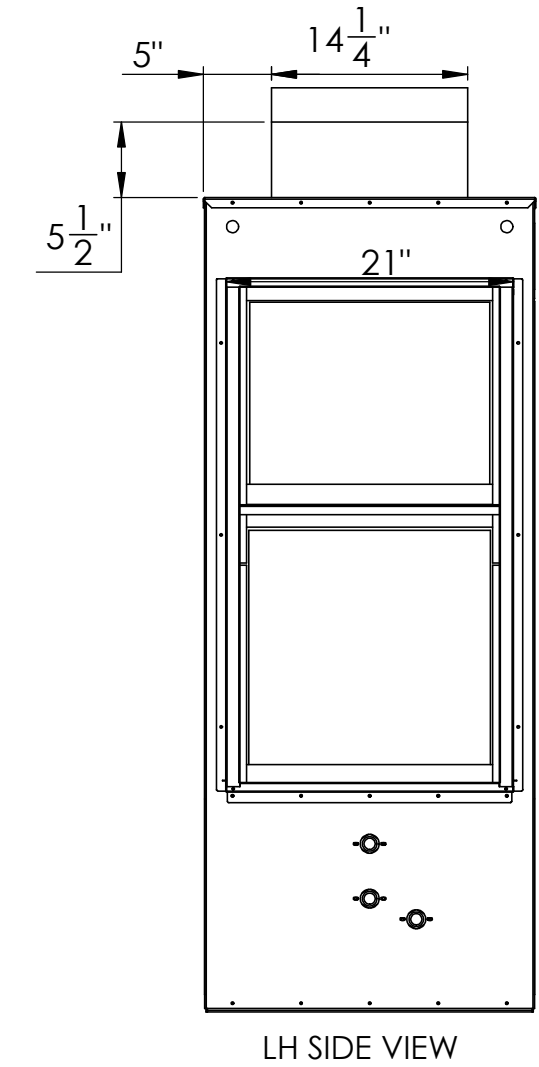
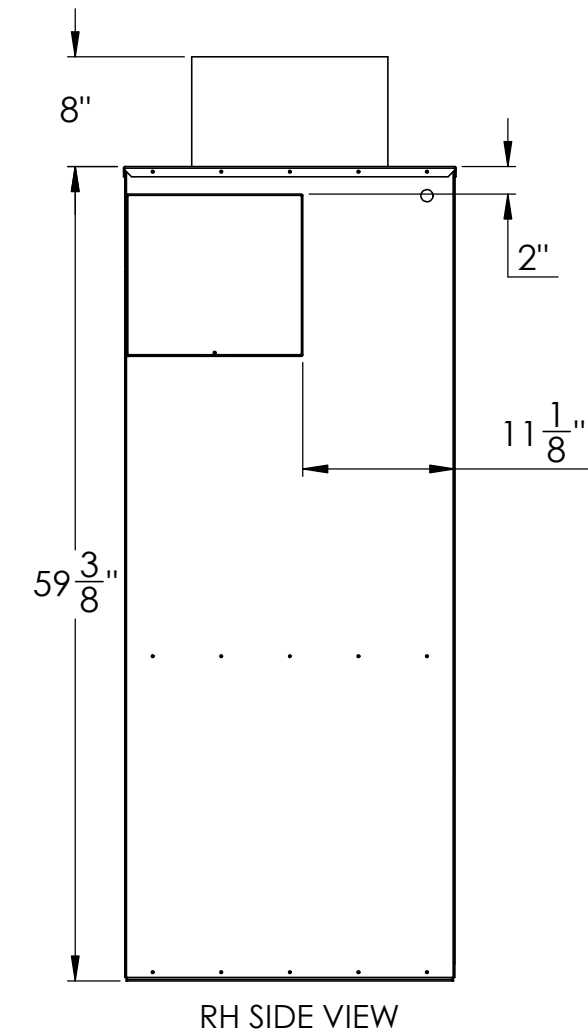
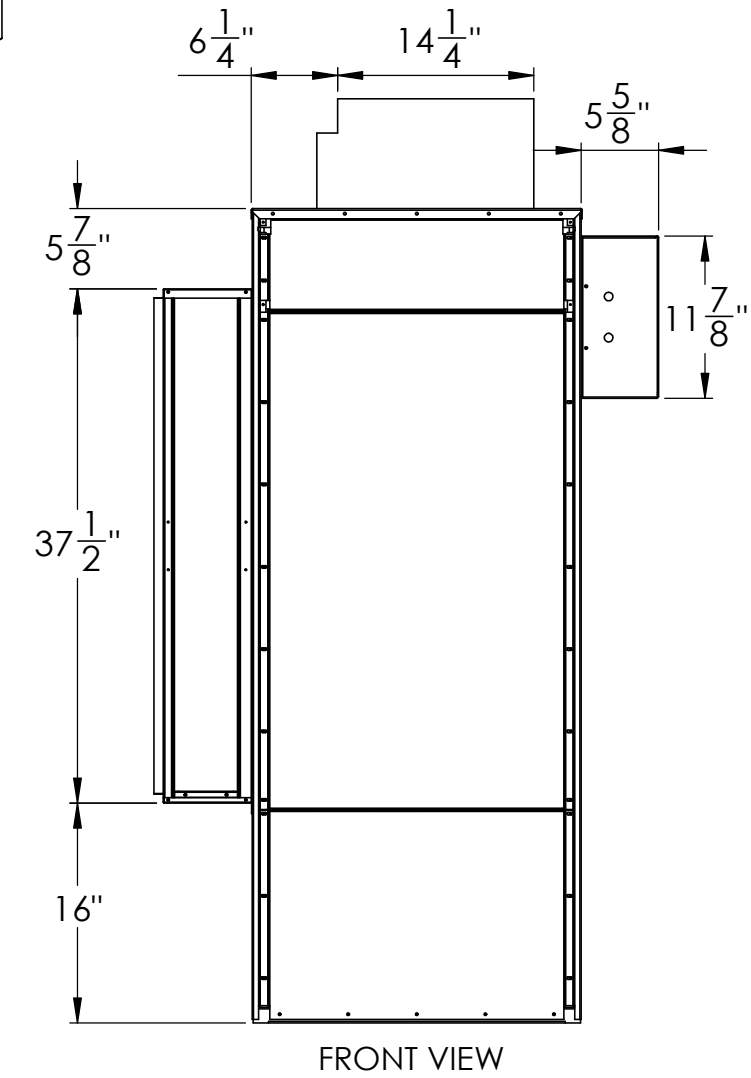
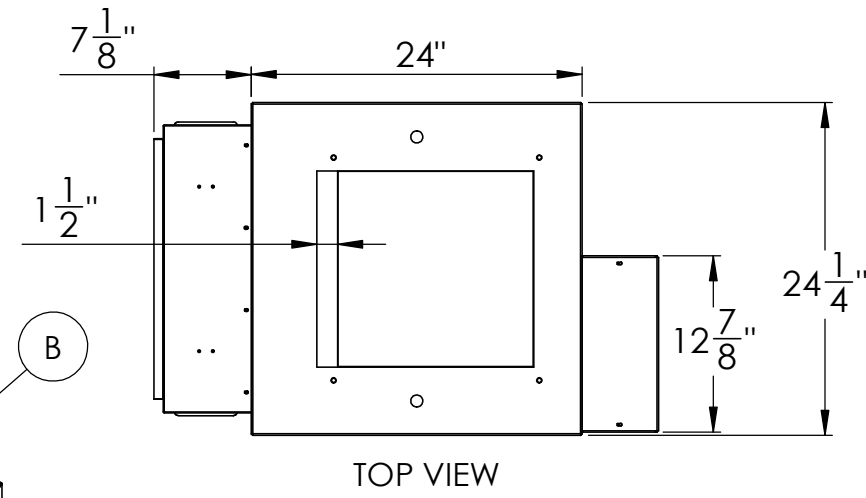
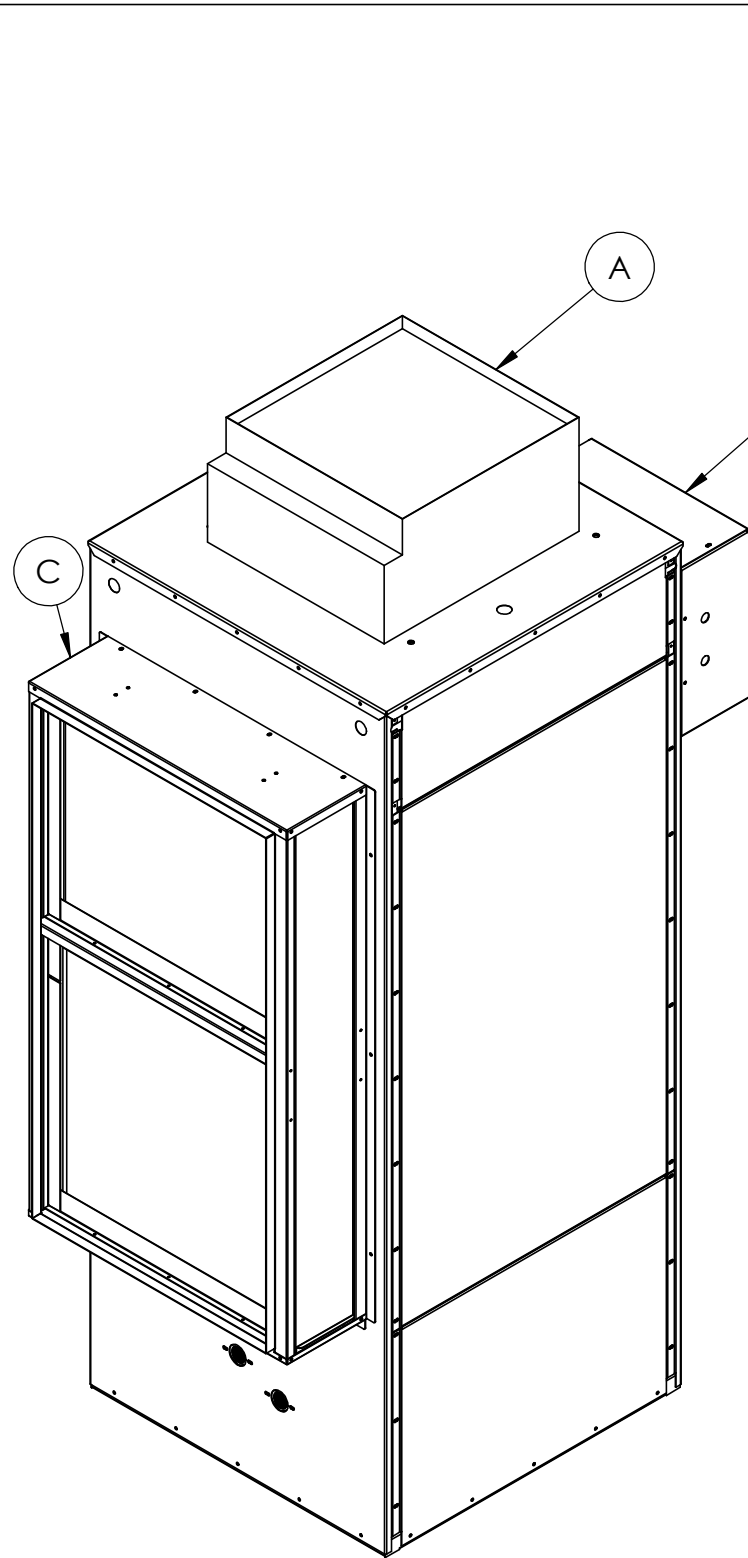
- A - Water Outlet, 1-1/4" FPT
- B - Water Inlet, 1-1/4" FPT
- C - Condensate Drain, 3/4" FPT
- D - High Voltage Access, 7/8"
- E - Low Voltage Access, 7/8"

THE INFORMATION CONTAINED IN THIS DRAWING IS THE SOLE PROPERTY OF CGC Group. ANY REPRODUCTION IN PART OR AS A WHOLE WITHOUT THE WRITTEN PERMISSION OF CGC Group IS PROHIBITED.



SRV 042-060

PRODUCT REVISION(S):	All
DATE(MM/DD/YYYY):	09/26/2025 REV: A
DESCRIPTION:	Standard Submittal Drawing for SpaceKeeper Vertical Stacked Reversing R454B



NOTE: Dimensions are typical Between all Arrangements

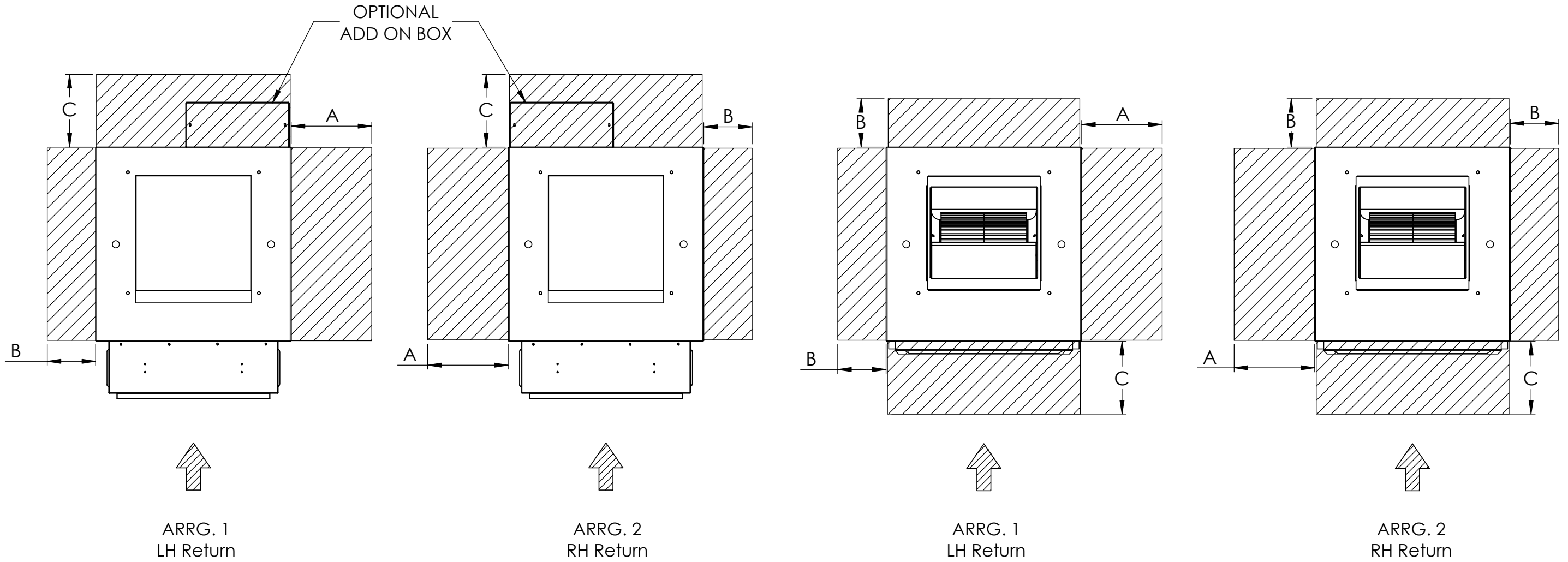
- (A) Optional Electric Heater
- (B) Optional Add on Box
- (C) Optional Filter Box

THE INFORMATION CONTAINED IN THIS DRAWING IS THE SOLE PROPERTY OF CGC Group. ANY REPRODUCTION IN PART OR AS A WHOLE WITHOUT THE WRITTEN PERMISSION OF CGC Group IS PROHIBITED.

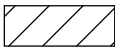
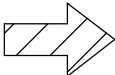


SRV 042-060

PRODUCT REVISION(S):	All
DATE(MM/DD/YYYY):	09/26/2025 REV: A
DESCRIPTION:	Standard Submittal Drawing for SpaceKeeper Vertical Stacked Reversing R454B



LEGEND:

	= SERVICE CLEARANCE	Clearance Dimensions	
	= DIRECTION OF AIRFLOW	A	30"
		B	18"
		C	20"

THE INFORMATION CONTAINED IN THIS DRAWING IS THE SOLE PROPERTY OF CGC Group. ANY REPRODUCTION IN PART OR AS A WHOLE WITHOUT THE WRITTEN PERMISSION OF CGC Group IS PROHIBITED.



PAGE: 3 of 3		
SRV 042-060		
PRODUCT REVISION(S):	All	
DATE(MM/DD/YYYY):	09/26/2025	REV: A
DESCRIPTION:	Standard Submittal Drawing for SpaceKeeper Vertical Stacked Reversing R454B	