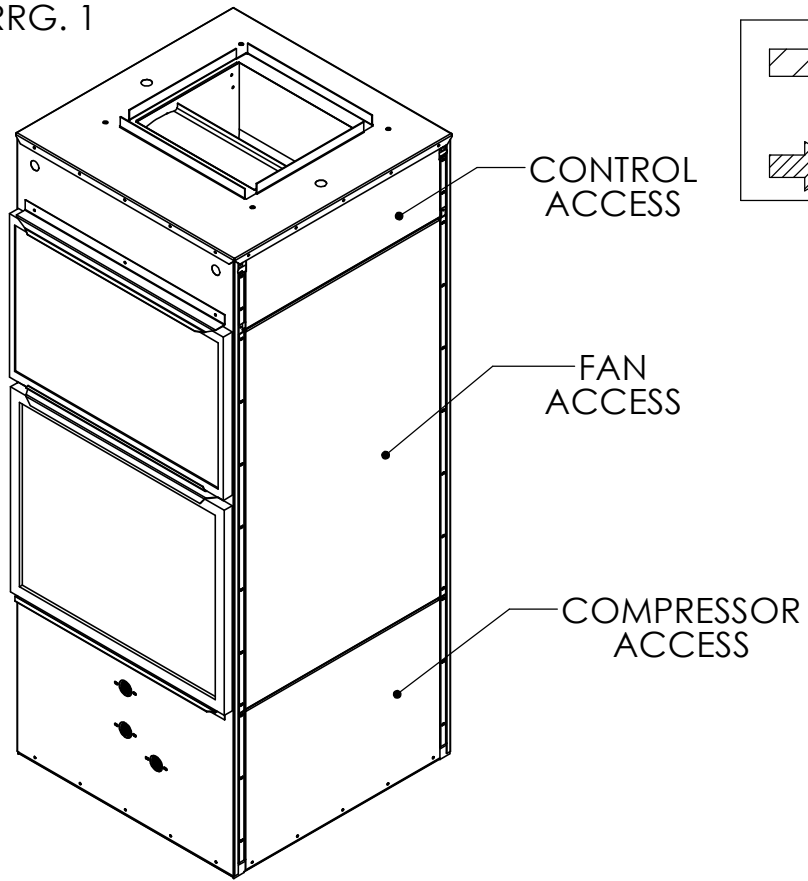
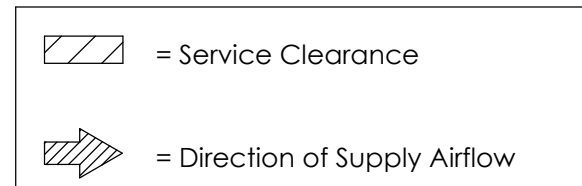


ARRG. 1



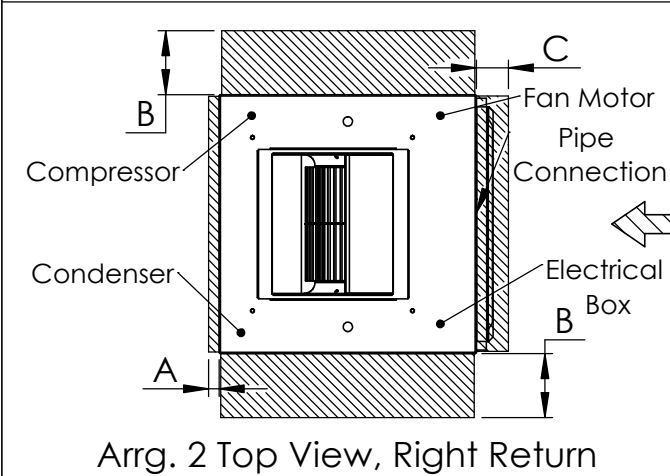
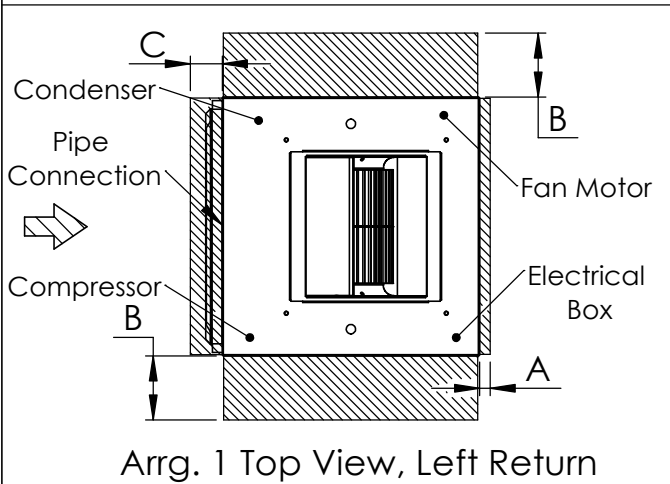
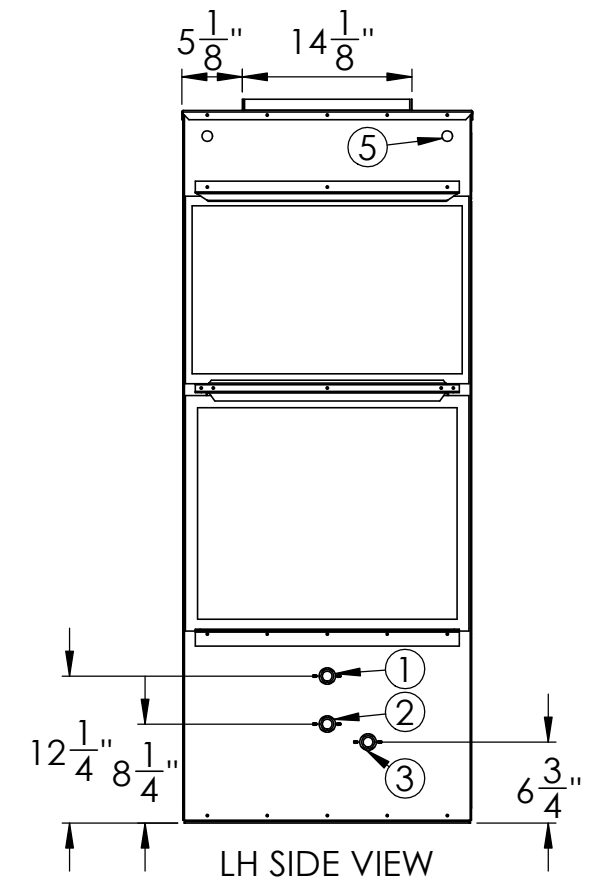
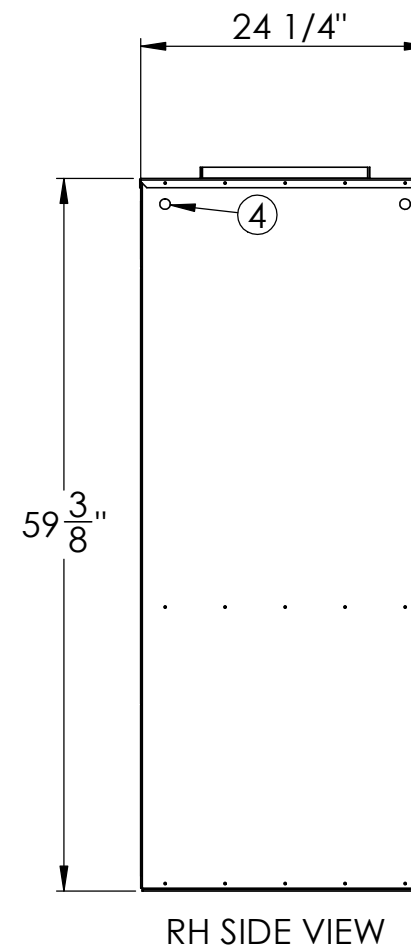
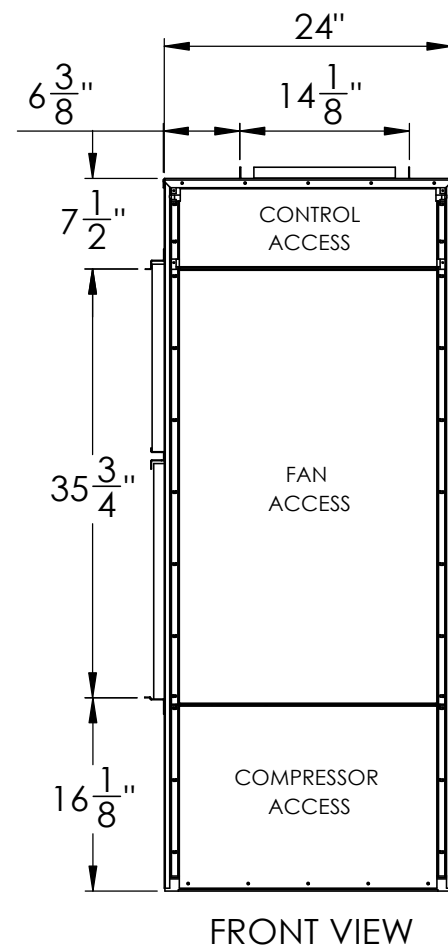
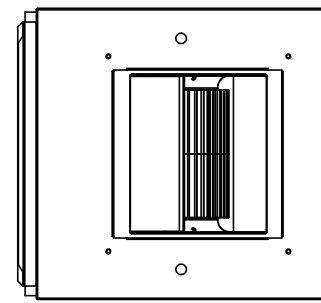
**LEGEND:**



1. Water Inlet, 1-1/4" FPT
2. Water Outlet, 1-1/4" FPT
3. Condensate Drain, 3/4"
4. High Voltage Access, 7/8" Knockout
5. Low Voltage Access, 7/8" Knockout

**REMARKS:**

- i) Disposable Pleated Filter Included. (16" x 24" x 1") and (20" x 24" x 1")
- ii) Right side electrical access available.
- iii) Left return unit (Arrg. 1), right return (Arrg. 2).
- iv) Water piping on same side as filter access.



PHYSICAL DATA [in]					MIN. SERVICE CLEARANCE REQUIRED		
W	L	H	SUP. AIR (W x H)	RET. AIR (W x H)	A	B	C
24	24 1/4	59 3/8	14 1/8 x 14 1/8	20 x 35 3/4	2"	36"	6"

THE INFORMATION CONTAINED IN THIS DRAWING IS THE SOLE PROPERTY OF CGC Group. ANY REPRODUCTION IN PART OR AS A WHOLE WITHOUT THE WRITTEN PERMISSION OF CGC Group IS PROHIBITED.



**SRV 042-060**

PRODUCT REVISION(S):	All	
DATE(MM/DD/YYYY):	09/26/2025	REV: A
DESCRIPTION:	Standard Submittal Drawing for SpaceKeeper Vertical Reversing R454B	