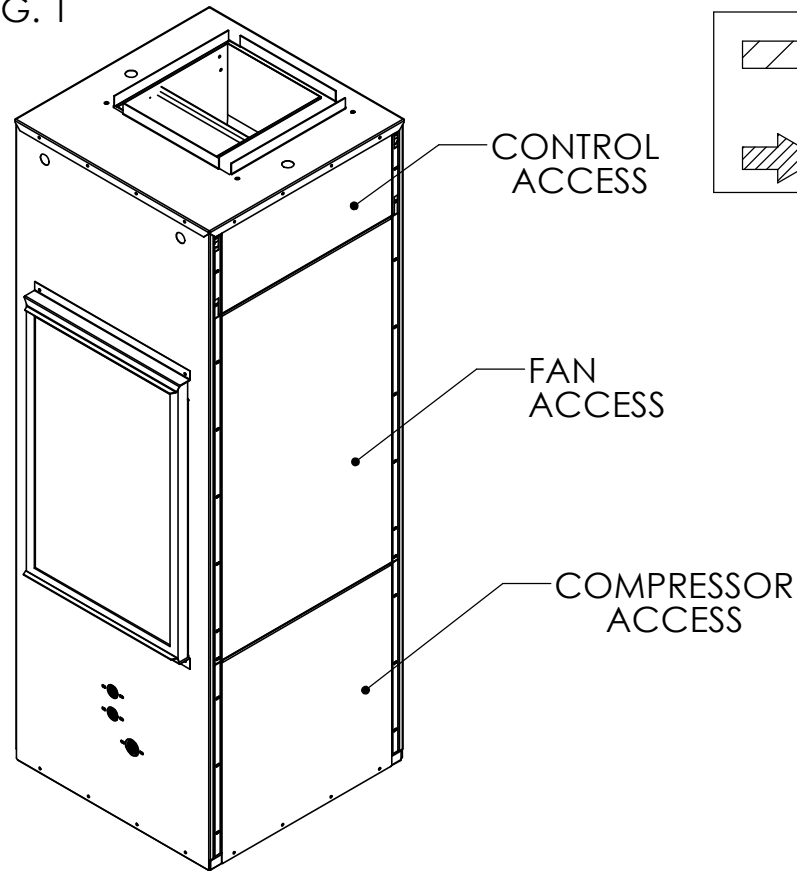
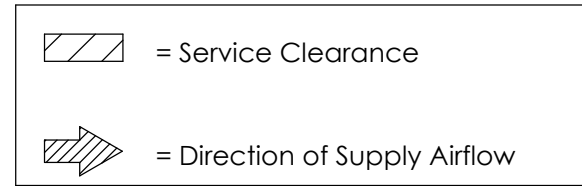


ARRG. 1



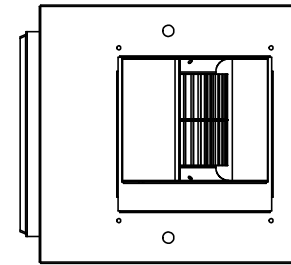
LEGEND:



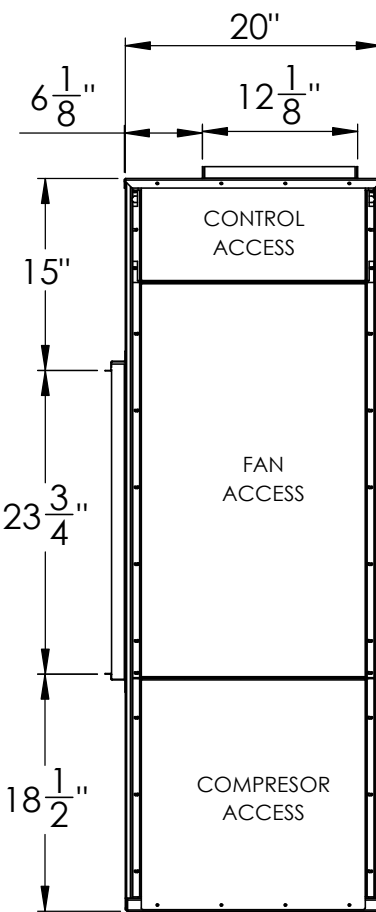
1. Water Inlet, 1" FPT
2. Water Outlet, 1" FPT
3. Condensate Drain, 3/4"
4. High Voltage Access, 7/8" Knockout
5. Low Voltage Access, 7/8" Knockout

REMARKS:

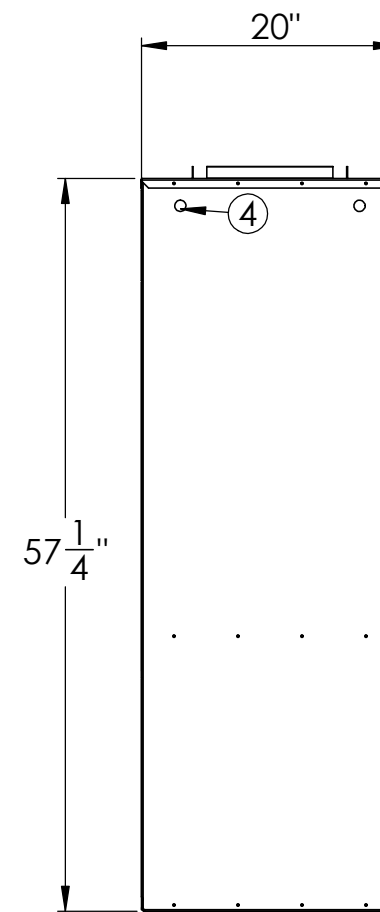
- i) One Disposable Pleated Filter Included. (16" x 25" x 1")
- ii) Right side electrical access available.
- iii) Left return unit (Arrg. 1), right return (Arrg. 2).
- iv) Water piping on same side as filter access.



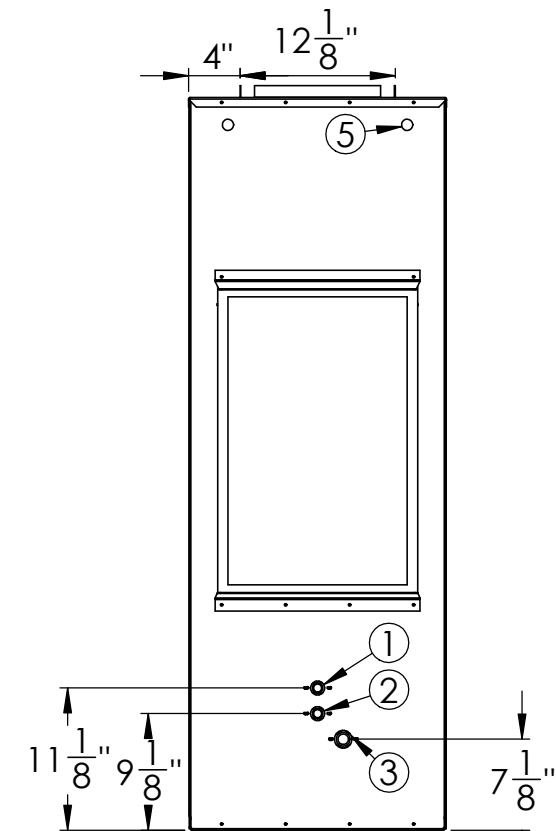
TOP VIEW



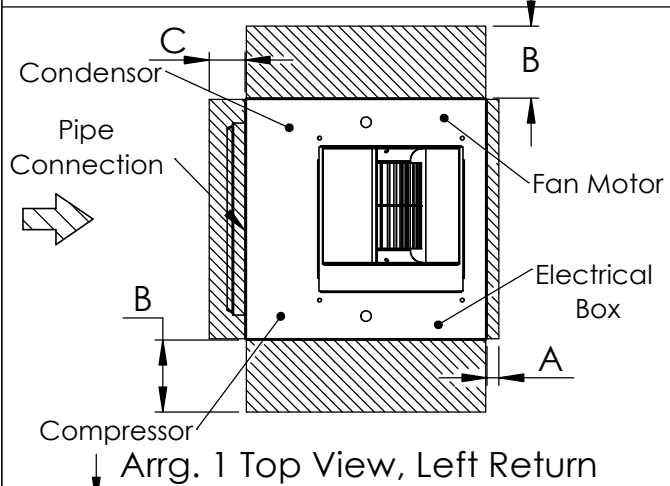
FRONT VIEW



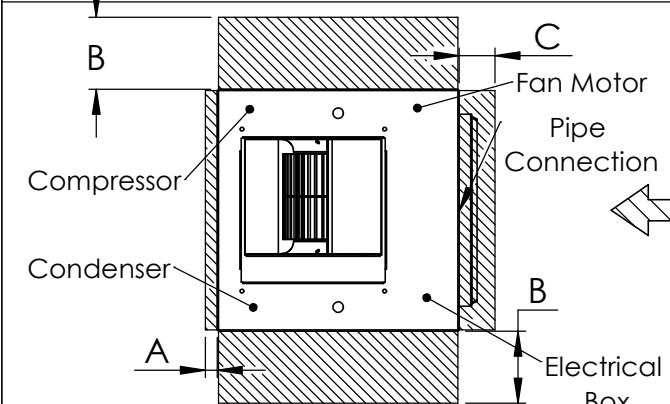
RH SIDE VIEW



LH SIDE VIEW



Arrg. 1 Top View, Left Return



Arrg. 2 Top View, Right Return

PHYSICAL DATA [in]					MIN. SERVICE CLEARANCE REQUIRED		
W	L	H	SUP. AIR (W x H)	RET. AIR (W x H)	A	B	C
20	20	57 1/4	12 1/8 x 12 1/8	15 1/2 x 23 3/4	2"	36"	6"

THE INFORMATION CONTAINED IN THIS DRAWING IS THE SOLE PROPERTY OF CGC Group. ANY REPRODUCTION IN PART OR AS A WHOLE WITHOUT THE WRITTEN PERMISSION OF CGC Group IS PROHIBITED.



SRV 020-036

PRODUCT REVISION(S):	All	
DATE(MM/DD/YYYY):	09/26/2025	REV: A
DESCRIPTION:	Standard Submittal Drawing for SpaceKeeper Vertical Reversing R454B	