

**REMARKS:**

- One Pleated Disposable Filter Included (16" x 20" x 1")
- Right Side Electrical Access Available
- Water Piping on Same Side as Filter Access
- Left Return Unit (ARRG. 1), Right Return Unit (ARRG. 2).

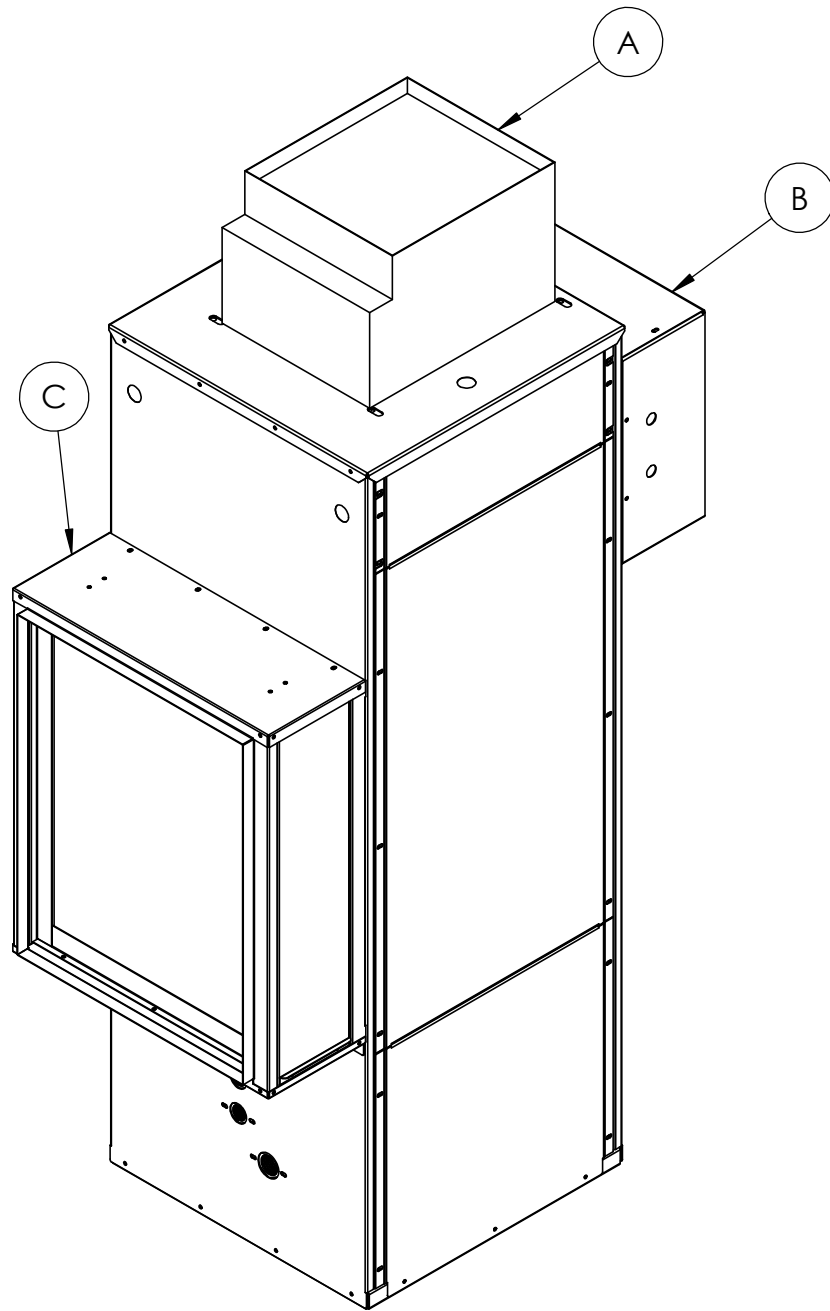
- A - Water Outlet, 3/4" FPT
- B - Water Inlet, 3/4" FPT
- C - Condensate Drain, 3/4" FPT
- D - High Voltage Access, 7/8"
- E - Low Voltage Access, 7/8"

THE INFORMATION CONTAINED IN THIS DRAWING IS THE SOLE PROPERTY OF CGC Group. ANY REPRODUCTION IN PART OR AS A WHOLE WITHOUT THE WRITTEN PERMISSION OF CGC Group IS PROHIBITED.

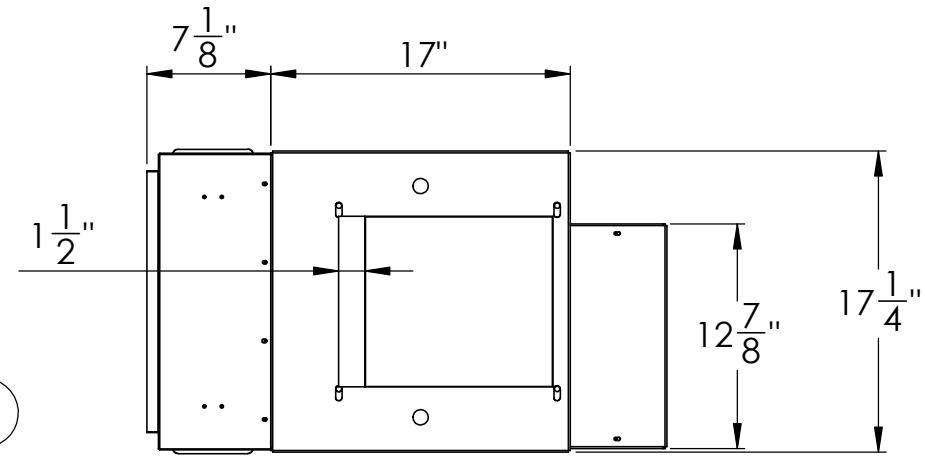


**SRV 008-018**

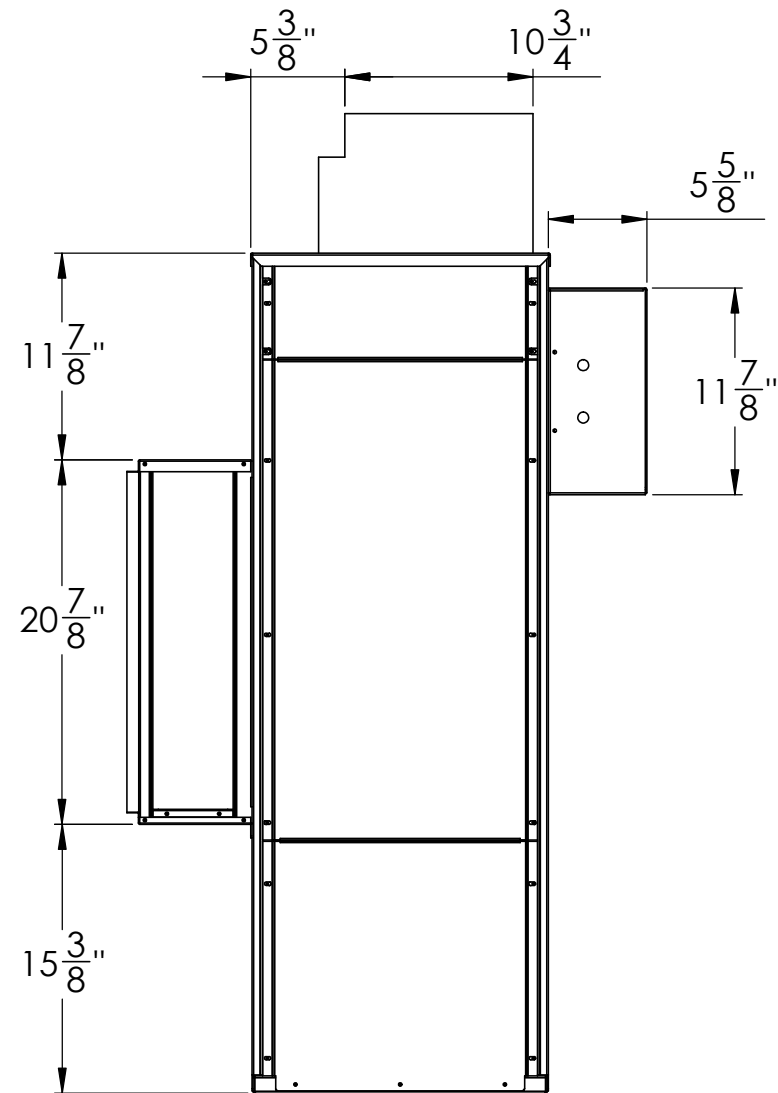
PRODUCT REVISION(S):	All	
DATE(MM/DD/YYYY):	12/08/2025	REV: A
DESCRIPTION:	Standard Submittal Drawing for SpaceKeeper Vertical Stacked Reversing R454B	



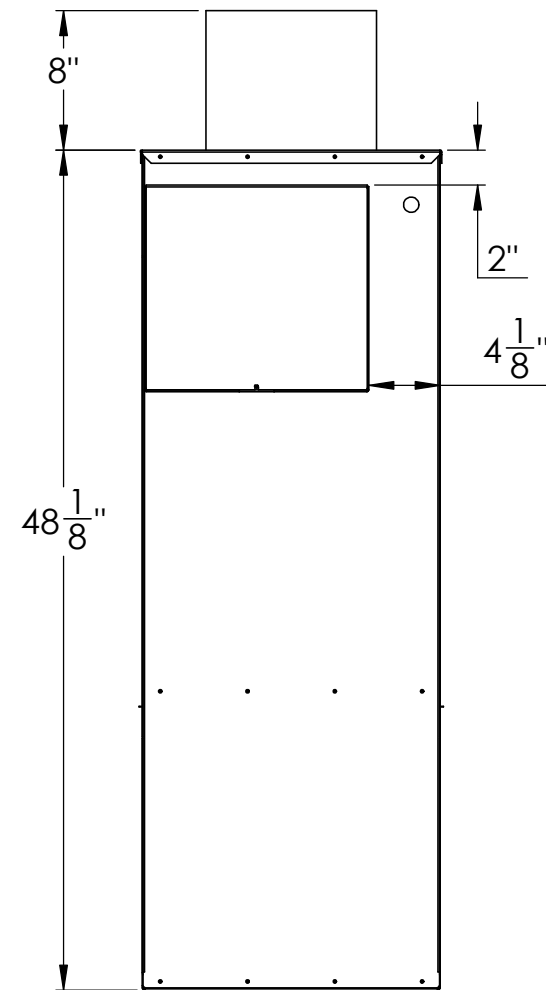
NOTE: Dimensions are typical  
Between all Arrangements



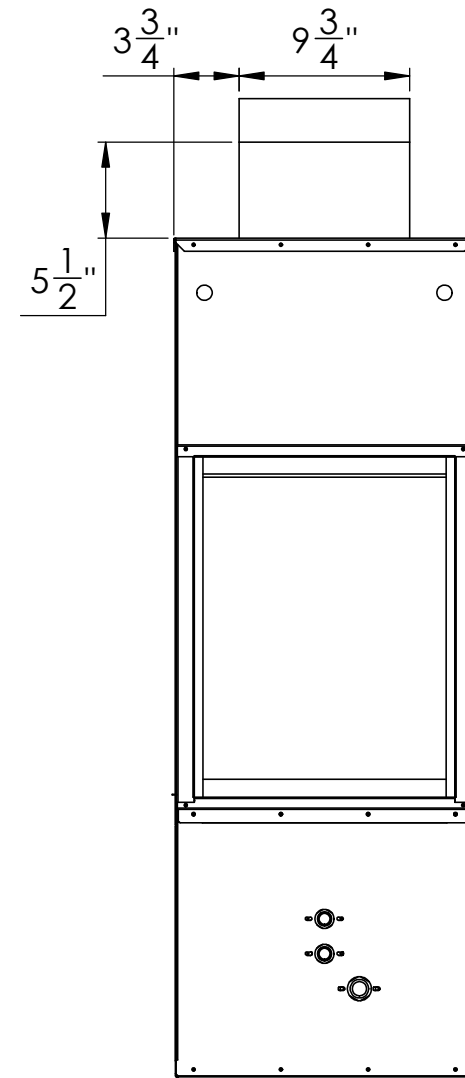
TOP VIEW



FRONT VIEW



RH SIDE VIEW



LH SIDE VIEW

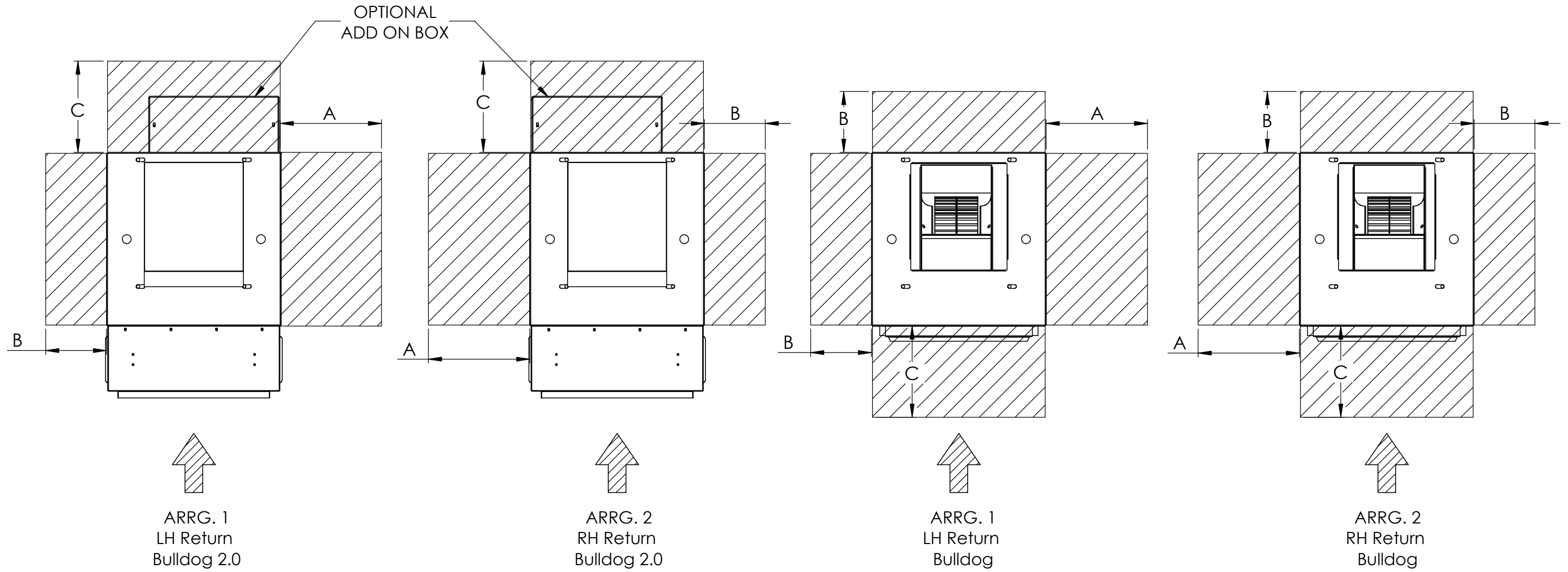
- (A) Optional Electric Heater
- (B) Optional Add on Box
- (C) Optional Filter Box

THE INFORMATION CONTAINED  
IN THIS DRAWING IS THE SOLE  
PROPERTY OF CGC Group. ANY  
REPRODUCTION IN PART OR AS  
A WHOLE WITHOUT THE WRITTEN  
PERMISSION OF CGC Group  
IS PROHIBITED.


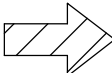


SRV 008-018

PRODUCT REVISION(S):	All	
DATE(MM/DD/YYYY):	12/08/2025	REV: A
DESCRIPTION:	Standard Submittal Drawing for SpaceKeeper Vertical Stacked Reversing R454B	



LEGEND:

	= SERVICE CLEARANCE	Clearance Dimensions	
	= DIRECTION OF RETURN AIRFLOW	A	30"
		B	18"
		C	20"

THE INFORMATION CONTAINED IN THIS DRAWING IS THE SOLE PROPERTY OF CGC Group. ANY REPRODUCTION IN PART OR AS A WHOLE WITHOUT THE WRITTEN PERMISSION OF CGC Group IS PROHIBITED.



PAGE: 3 of 3		
<b>SRV 008-018</b>		
PRODUCT REVISION(S):	All	
DATE(MM/DD/YYYY):	12/08/2025	REV: A
DESCRIPTION:	Standard Submittal Drawing for SpaceKeeper Vertical Stacked Reversing R454B	