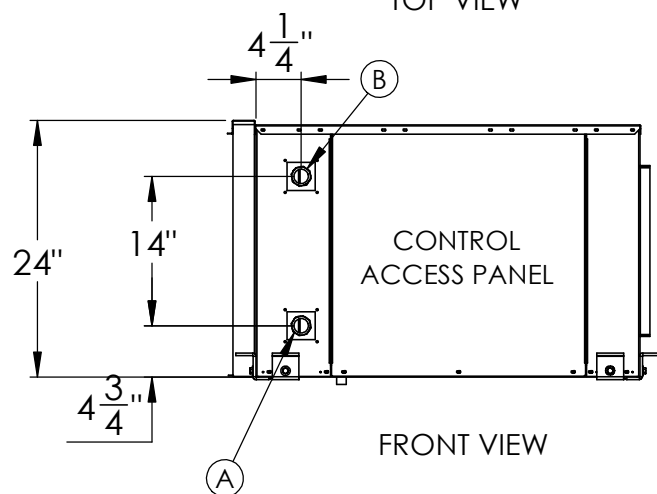
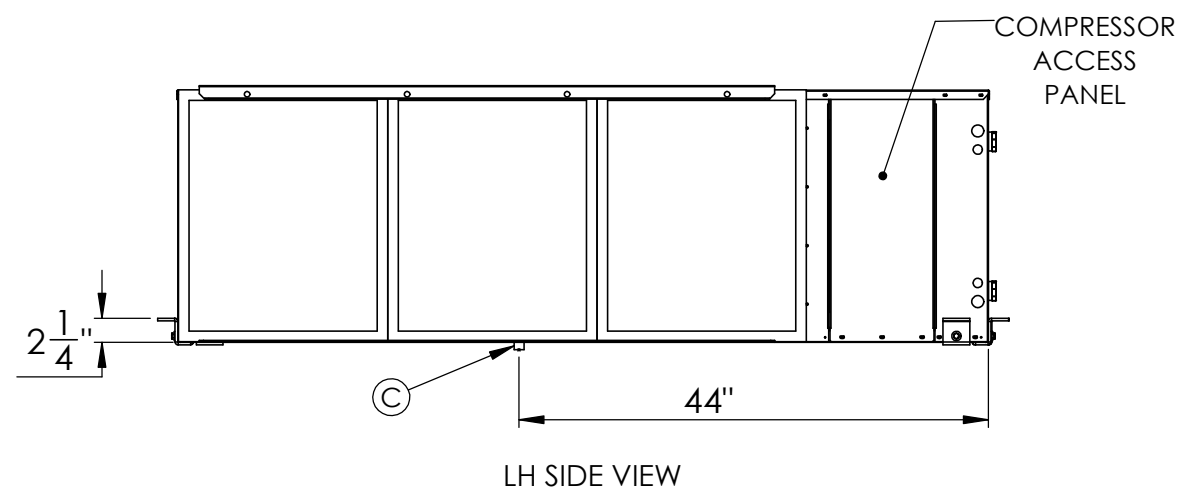


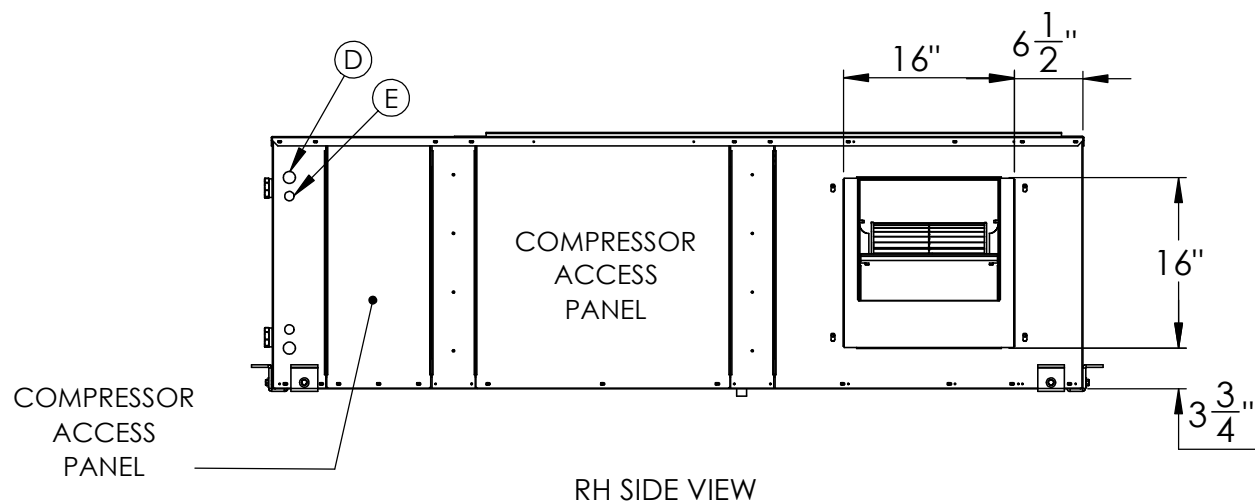
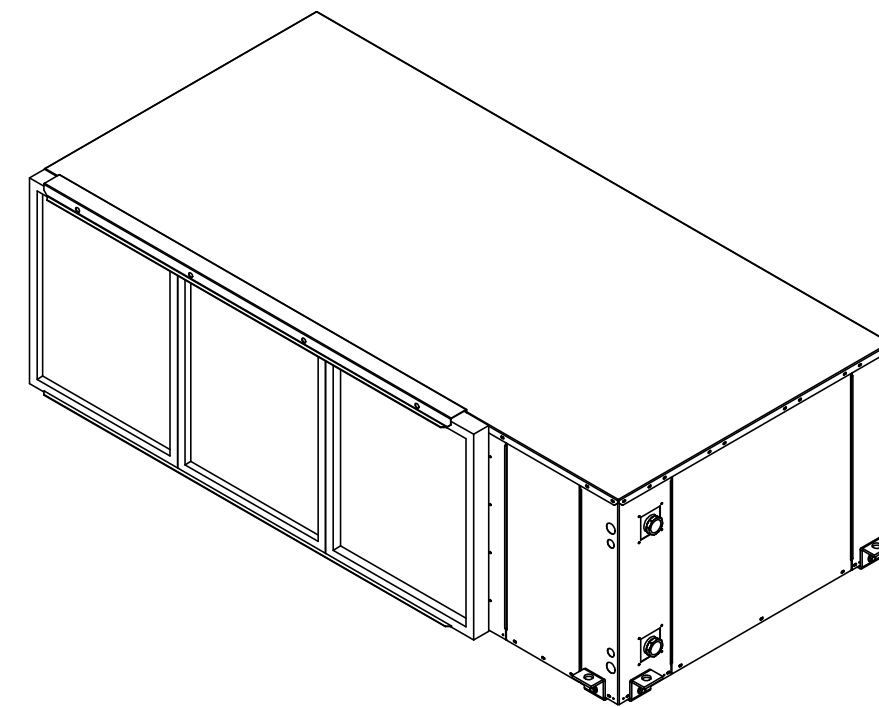
TOP VIEW



FRONT VIEW



LH SIDE VIEW



RH SIDE VIEW

REMARKS:

- Three disposable MERV 8 filters included ((x2) 20" x 24" x 2", (x1) 16" x 24" x 2")
- Rubber in shear isolation included
- Arrangement 1 is shown to provide essential dimensions
- Recommended position for hanging clips is shown
- Water connections are positioned on same side as the return air

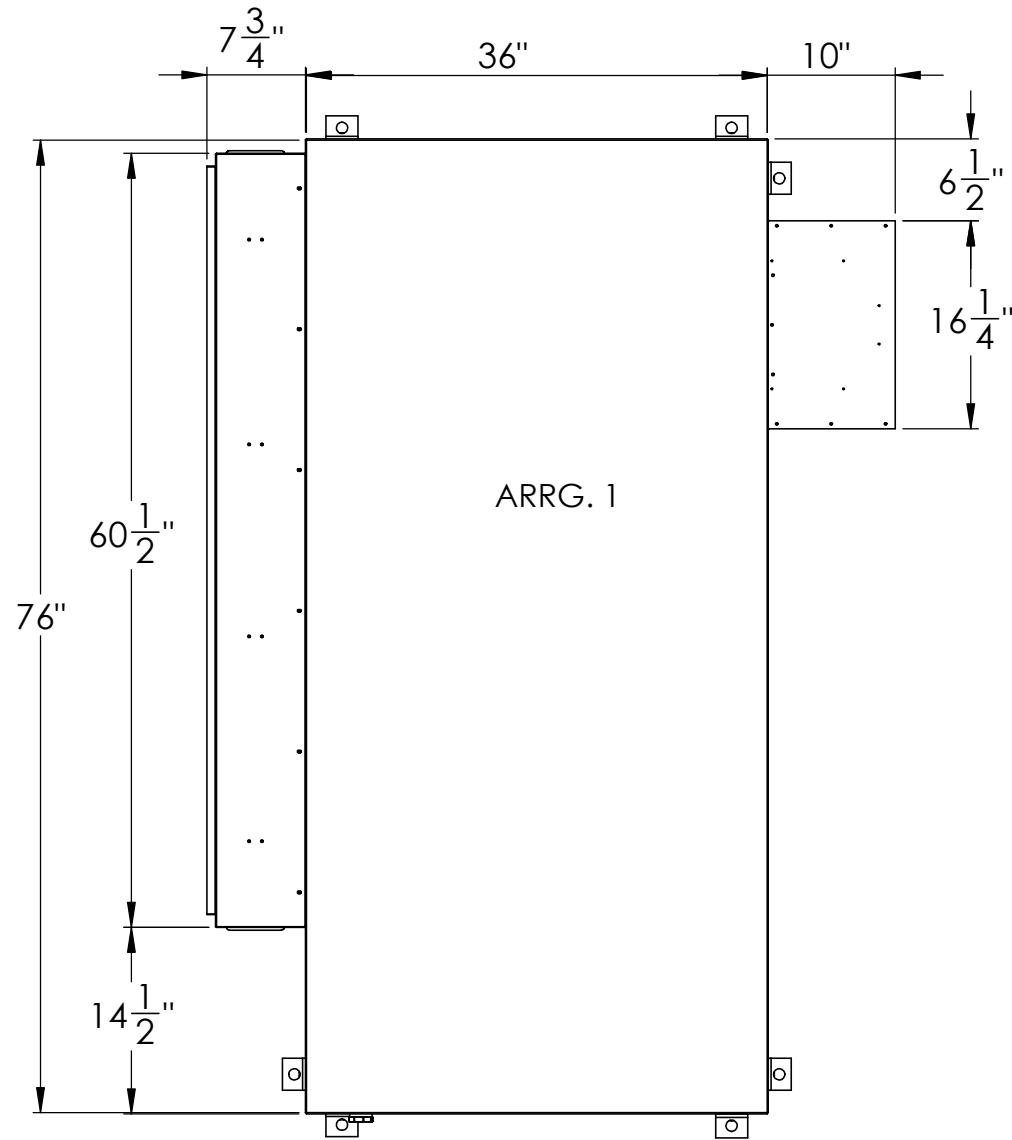
- A - Water Inlet, 1.25" FPT
- B - Water Outlet, 1.25" FPT
- C - Condensate Drain, 3/4"
- D - High Voltage Access, 1-1/8" Knockout
- E - Low Voltage Access, 7/8" Knockout

THE INFORMATION CONTAINED IN THIS DRAWING IS THE SOLE PROPERTY OF CGC Group. ANY REPRODUCTION IN PART OR AS A WHOLE WITHOUT THE WRITTEN PERMISSION OF CGC Group IS PROHIBITED.

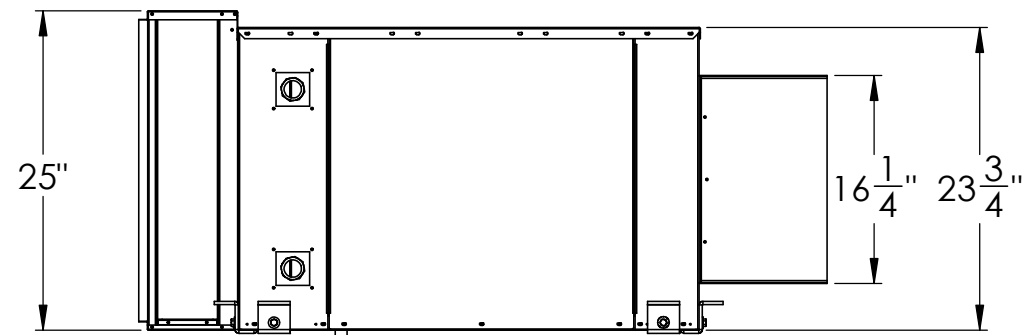


SRH 070-100

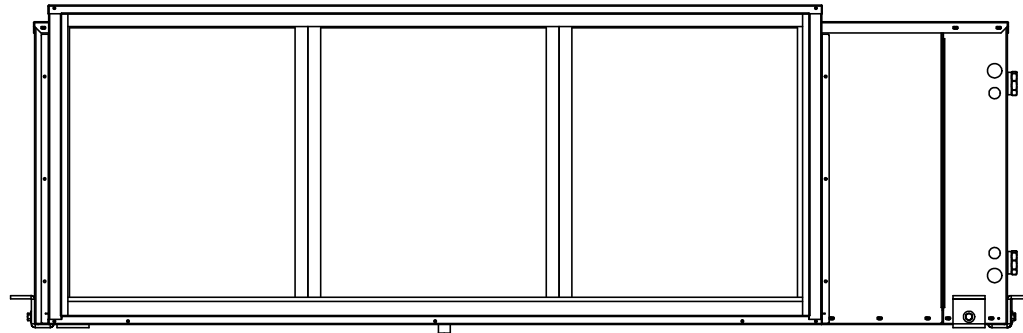
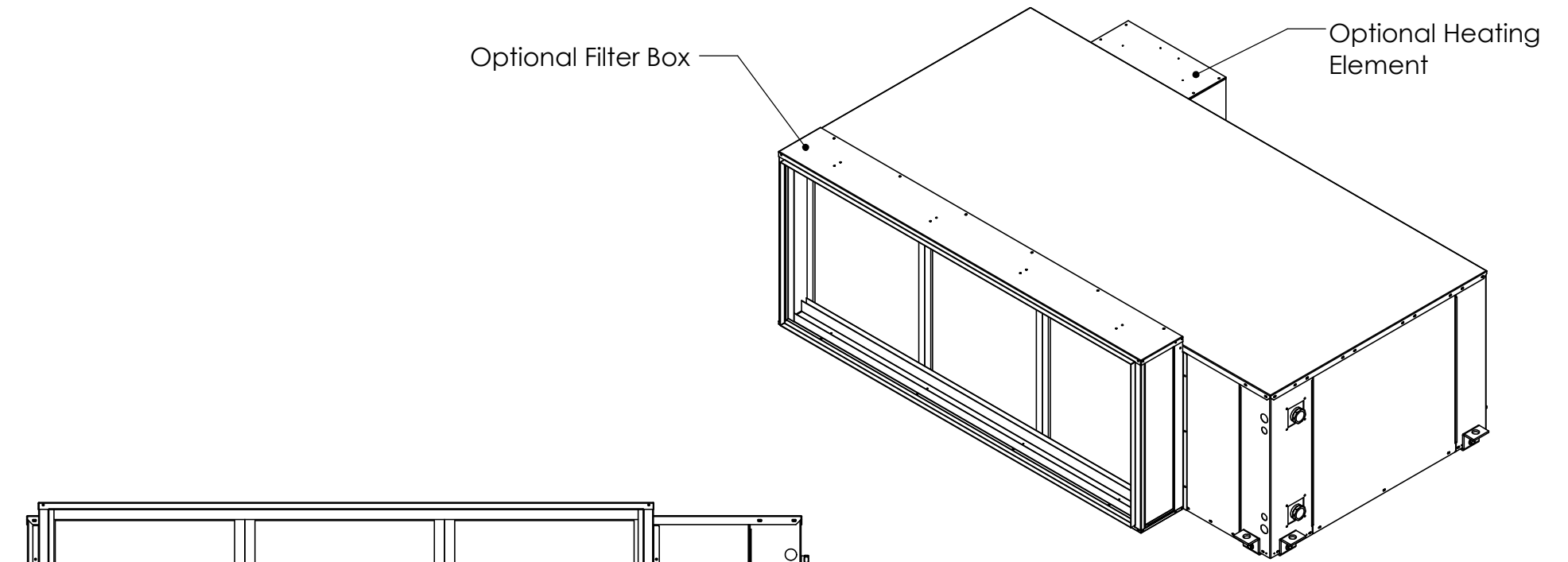
PRODUCT REVISION(S):	J, K, L
DATE(MM/DD/YYYY):	09/19/2025 REV: A
DESCRIPTION:	Standard Submittal Drawing for SpaceKeeper Horizontal Reversing R454B



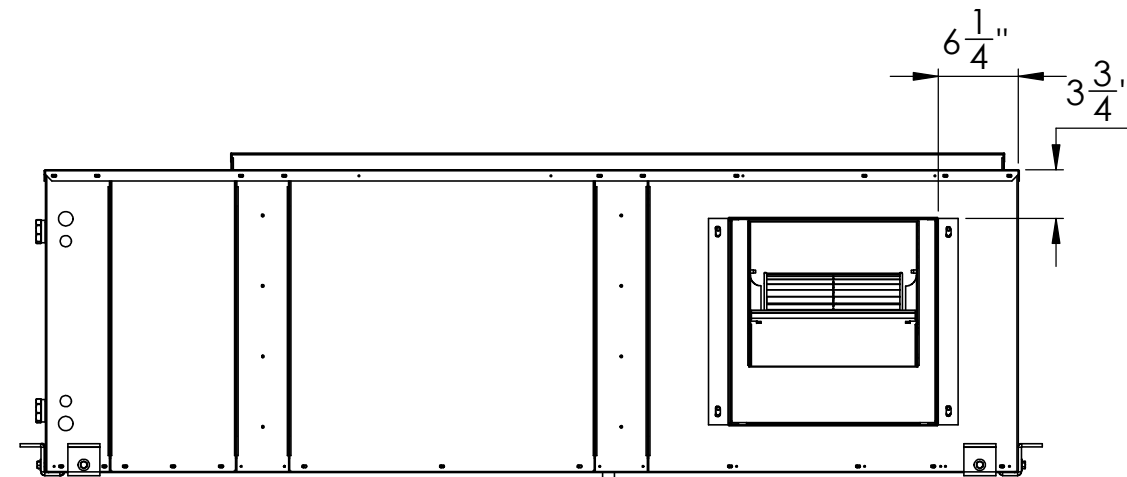
TOP VIEW



FRONT VIEW



LH SIDE VIEW



RH SIDE VIEW

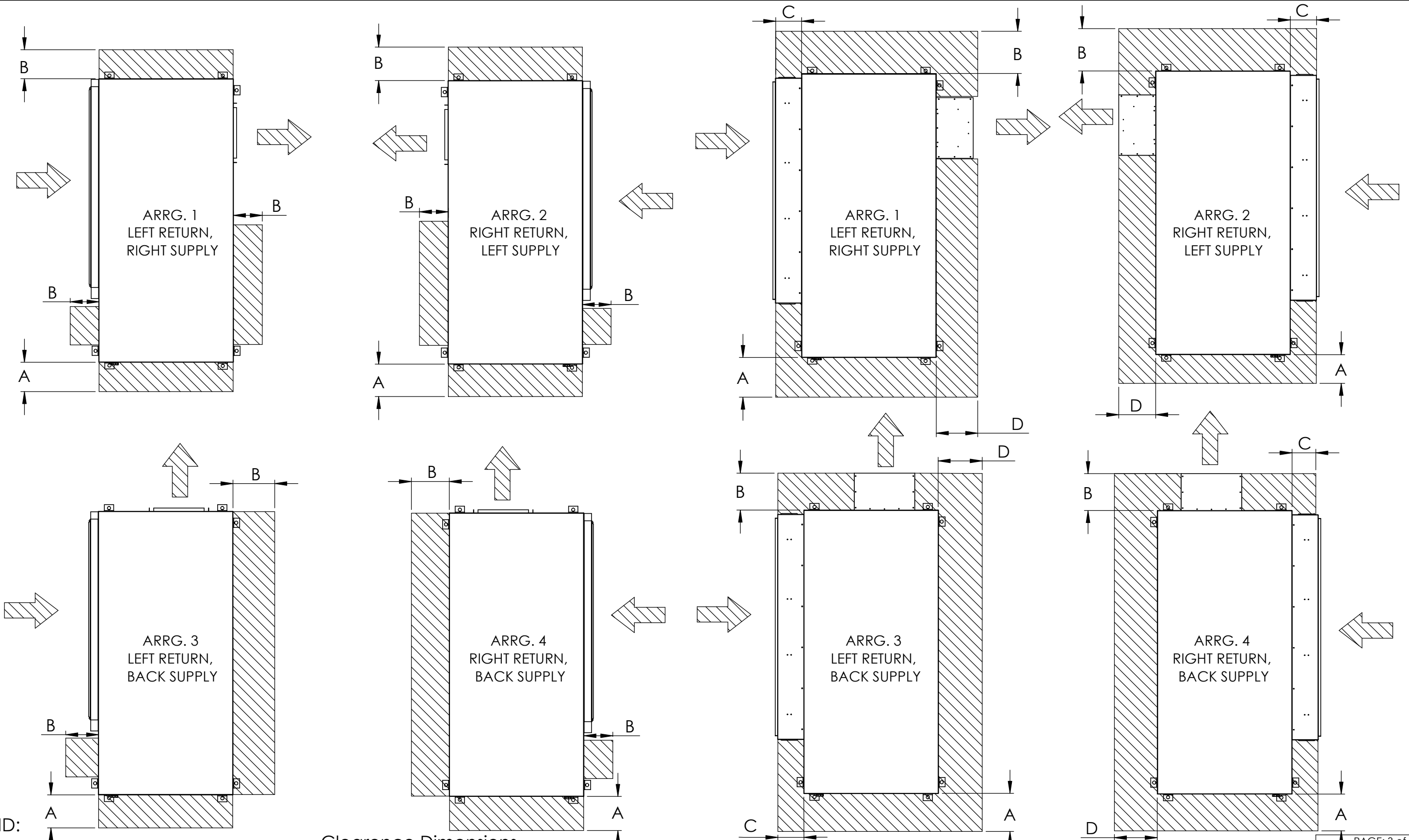
NOTE: Dimensions Are Typical For All 4 Arrangements

THE INFORMATION CONTAINED IN THIS DRAWING IS THE SOLE PROPERTY OF CGC Group. ANY REPRODUCTION IN PART OR AS A WHOLE WITHOUT THE WRITTEN PERMISSION OF CGC Group IS PROHIBITED.

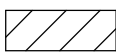


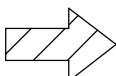
SRH 070-100

PRODUCT REVISION(S):	J, K, L
DATE(MM/DD/YYYY):	09/19/2025 REV: A
DESCRIPTION:	Standard Submittal Drawing for SpaceKeeper Horizontal Reversing R454B



LEGEND:

 = SERVICE CLEARANCE

 = DIRECTION OF AIRFLOW

Clearance Dimensions
 A = 30"
 B = 18"
 C = 20"
 D = 25"

THE INFORMATION CONTAINED IN THIS DRAWING IS THE SOLE PROPERTY OF CGC Group. ANY REPRODUCTION IN PART OR AS A WHOLE WITHOUT THE WRITTEN PERMISSION OF CGC Group IS PROHIBITED.



SRH 070-100		
PRODUCT REVISION(S):	J, K, L	
DATE(MM/DD/YYYY):	09/19/2025	REV: A
DESCRIPTION:	Standard Submittal Drawing for SpaceKeeper Horizontal Reversing R454B	