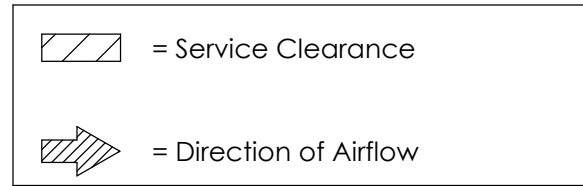


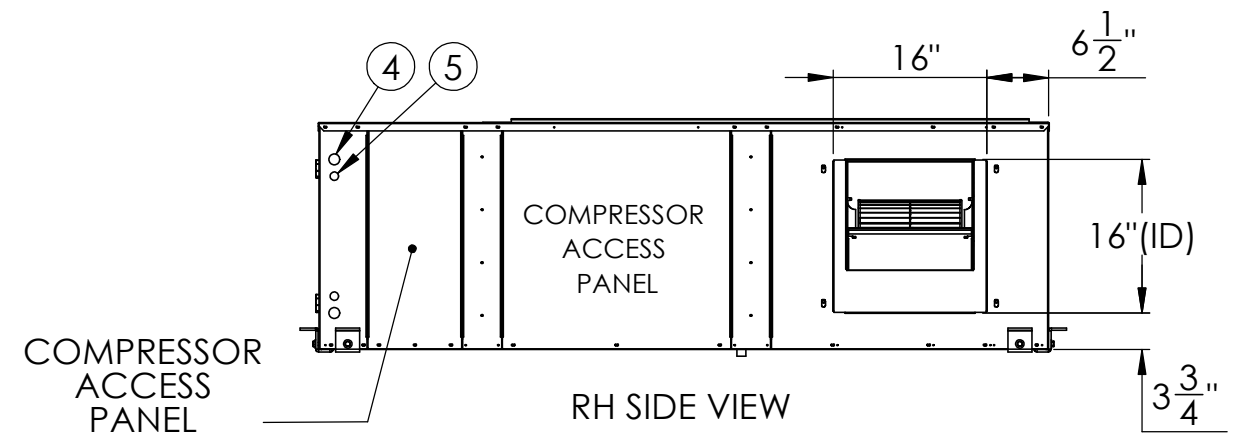
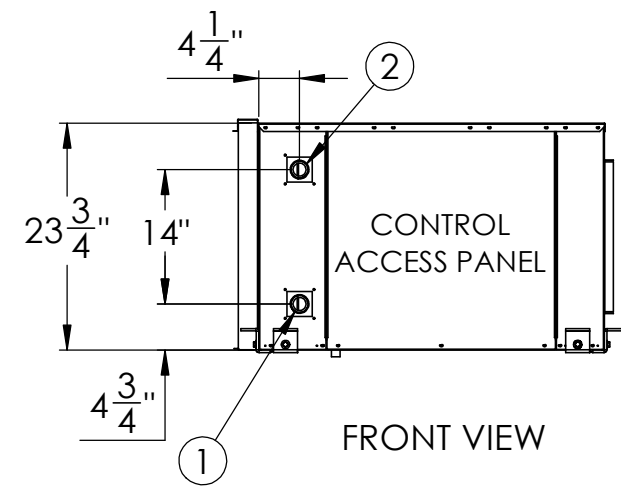
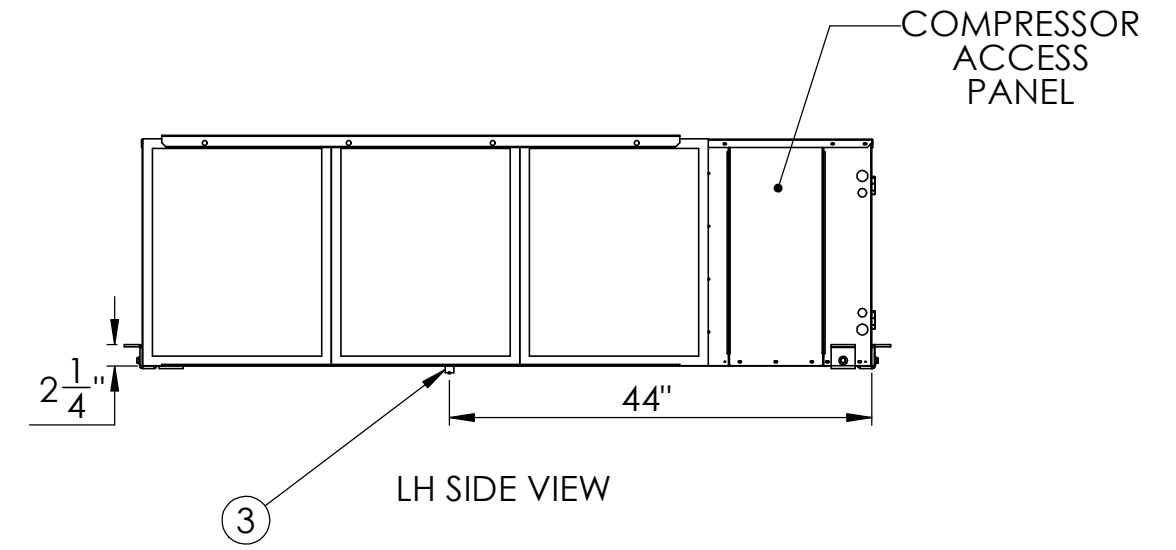
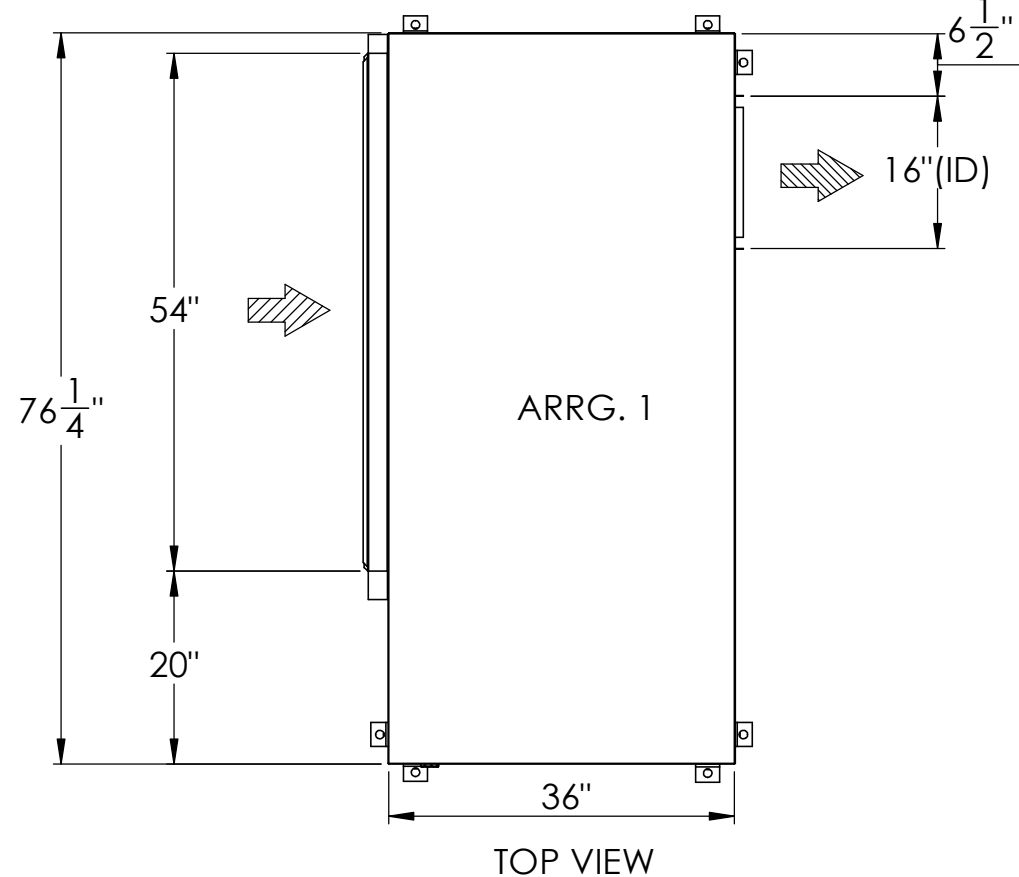
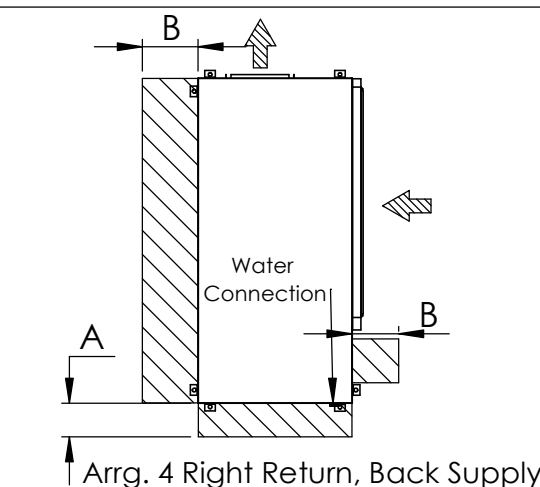
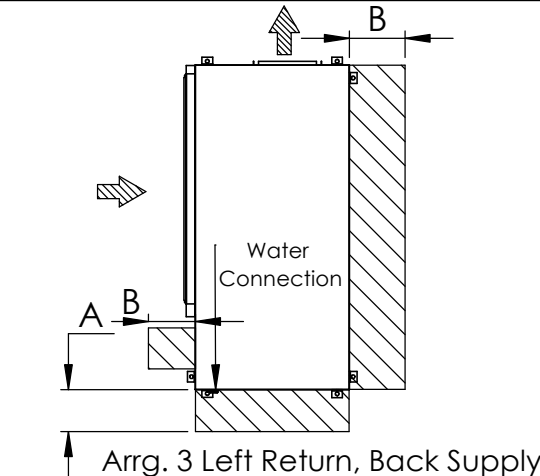
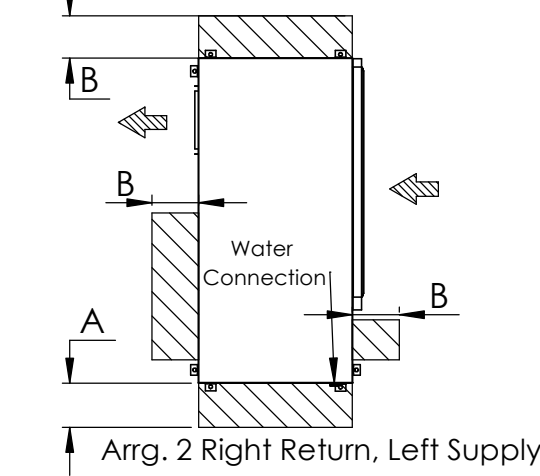
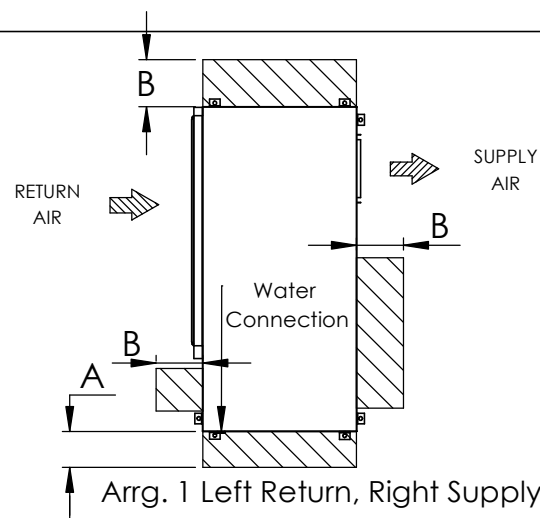
**LEGEND:**



1. Water Inlet, 1 1/4" FPT
2. Water Outlet, 1 1/4" FPT
3. Condensate Drain, 3/4"
4. High Voltage Access, 1 1/8" Knockout
5. Low Voltage Access, 7/8" Knockout  
(located on opposite side of unit as High Voltage Access)

**REMARKS:**

- i) Three Disposable MERV 8 Filters Included.  
(x2) (20" x 24" x 2"), (x1) (16" x 24" x 2")
- ii) Rubber in Shear Isolation Included.
- iii) Arrangement 1 is Shown to Provide Essential Dimensions.
- iv) Recommended Position for Hanging Clips is Shown.
- v) Water Connections are Positioned on the Same Side as the Return Air.



| PHYSICAL DATA [in] |        |        |                  |                  | MIN. SERVICE CLEARANCE REQUIRED |     |
|--------------------|--------|--------|------------------|------------------|---------------------------------|-----|
| W                  | L      | H      | SUP. AIR (W x H) | RET. AIR (W x H) | A                               | B   |
| 36                 | 76 1/4 | 23 3/4 | 16x16            | 54x20            | 30"                             | 18" |

THE INFORMATION CONTAINED IN THIS DRAWING IS THE SOLE PROPERTY OF CGC Group. ANY REPRODUCTION IN PART OR AS A WHOLE WITHOUT THE WRITTEN PERMISSION OF CGC Group IS PROHIBITED.



|                      |   |        |
|----------------------|---|--------|
| <b>SRH 070-100</b>   |   |        |
| PRODUCT REVISION(S): | All   |        |
| DATE(MM/DD/YYYY):    | 10/07/2025  | REV: A |
| DESCRIPTION:         | Standard Submittal Drawing for SpaceKeeper Horizontal Reversing R454B |        |