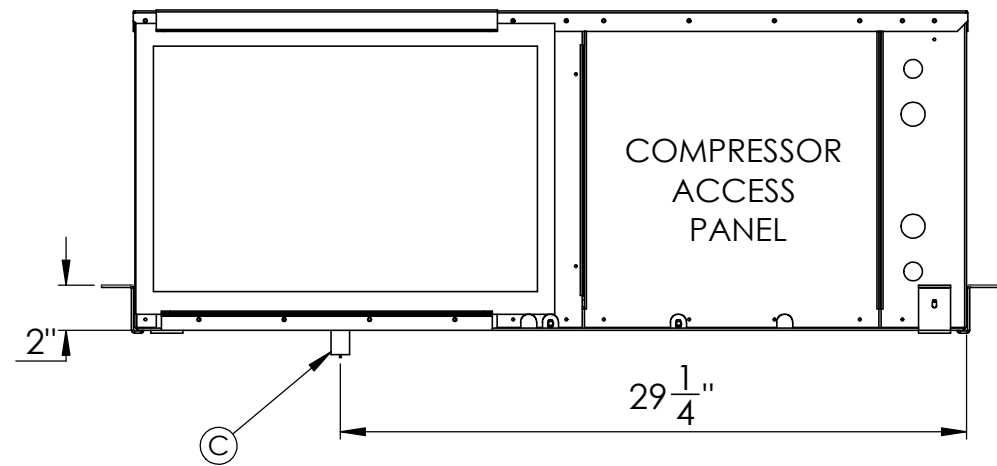


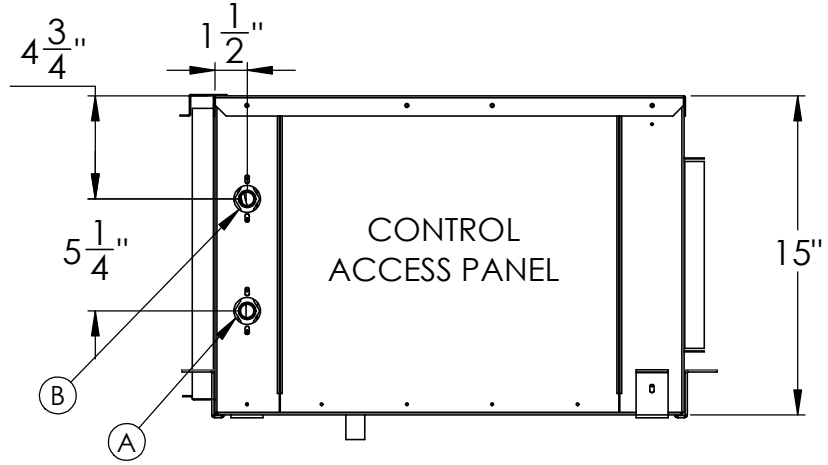
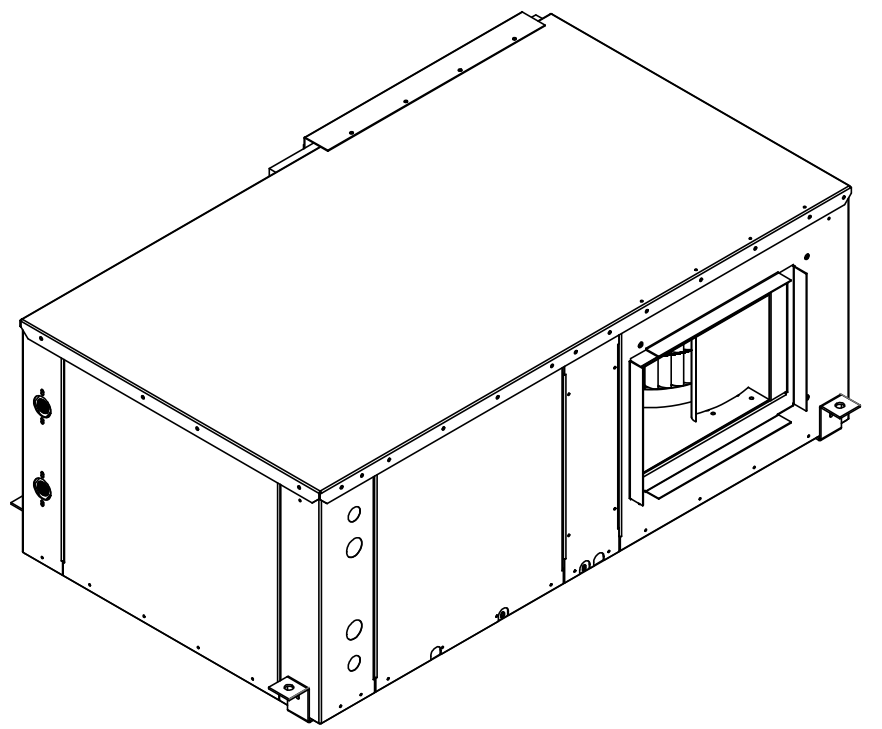
ARRG. 1

TOP VIEW



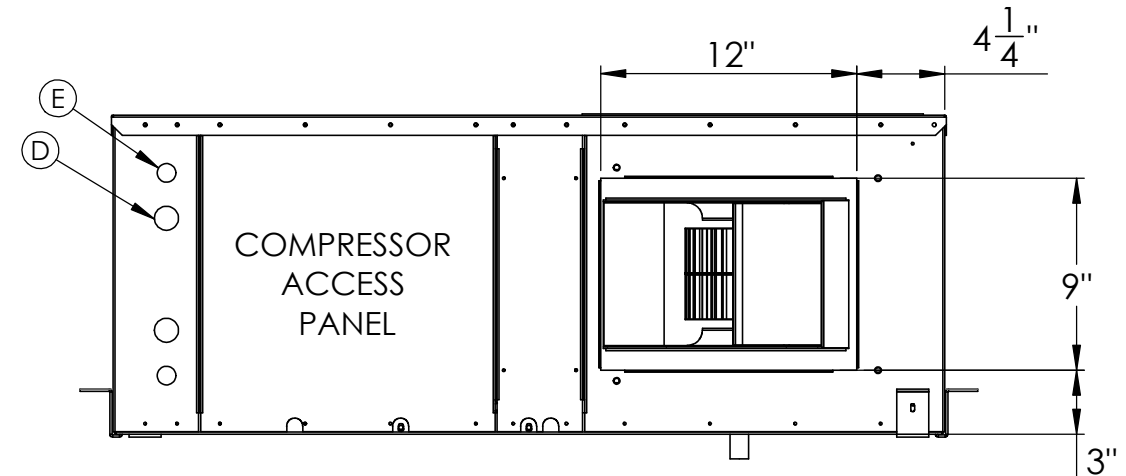
COMPRESSOR ACCESS PANEL

LH SIDE VIEW



CONTROL ACCESS PANEL

FRONT VIEW



COMPRESSOR ACCESS PANEL

RH SIDE VIEW

REMARKS:

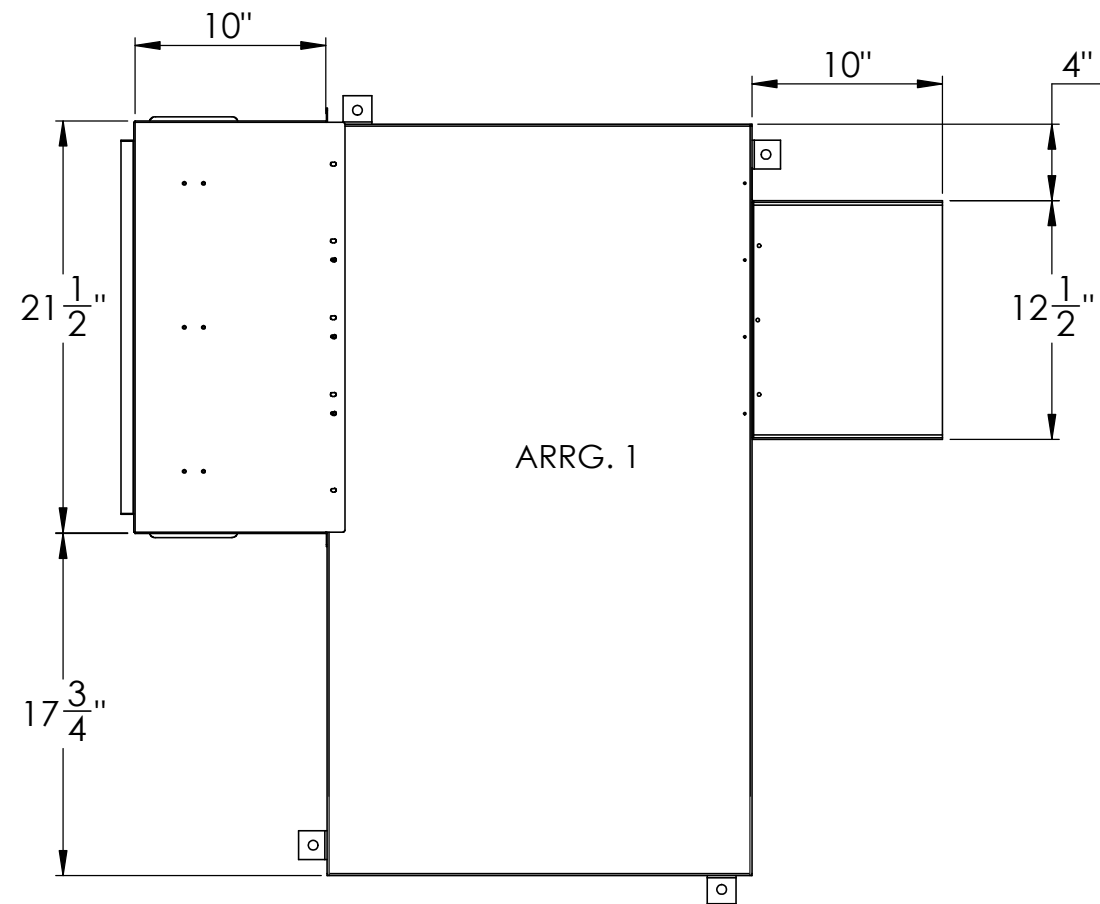
- 1 disposable fiberglass filter included (14" x 20" x 1")
- Rubber in shear isolation included
- Arrangement 1 is shown to provide essential dimensions
- Recommended position for hanging clips is shown
- Water connections are positioned on same side as the return air

- A - Water Inlet, 3/4" FPT
- B - Water Outlet, 3/4" FPT
- C - Condensate Drain, 3/4"
- D - High Voltage Access, 1-1/8" Knockout
- E - Low Voltage Access, 7/8" Knockout

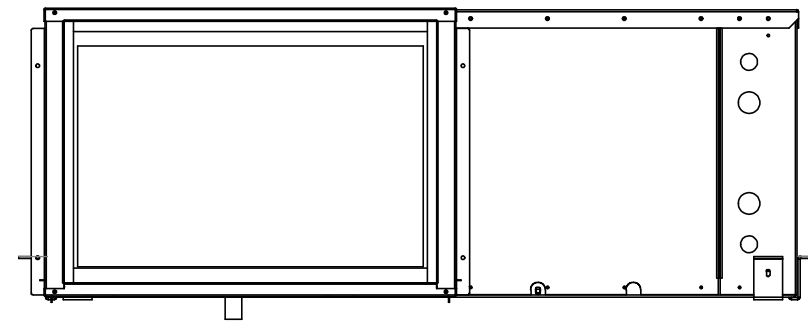
THE INFORMATION CONTAINED IN THIS DRAWING IS THE SOLE PROPERTY OF CGC Group. ANY REPRODUCTION IN PART OR AS A WHOLE WITHOUT THE WRITTEN PERMISSION OF CGC Group IS PROHIBITED.



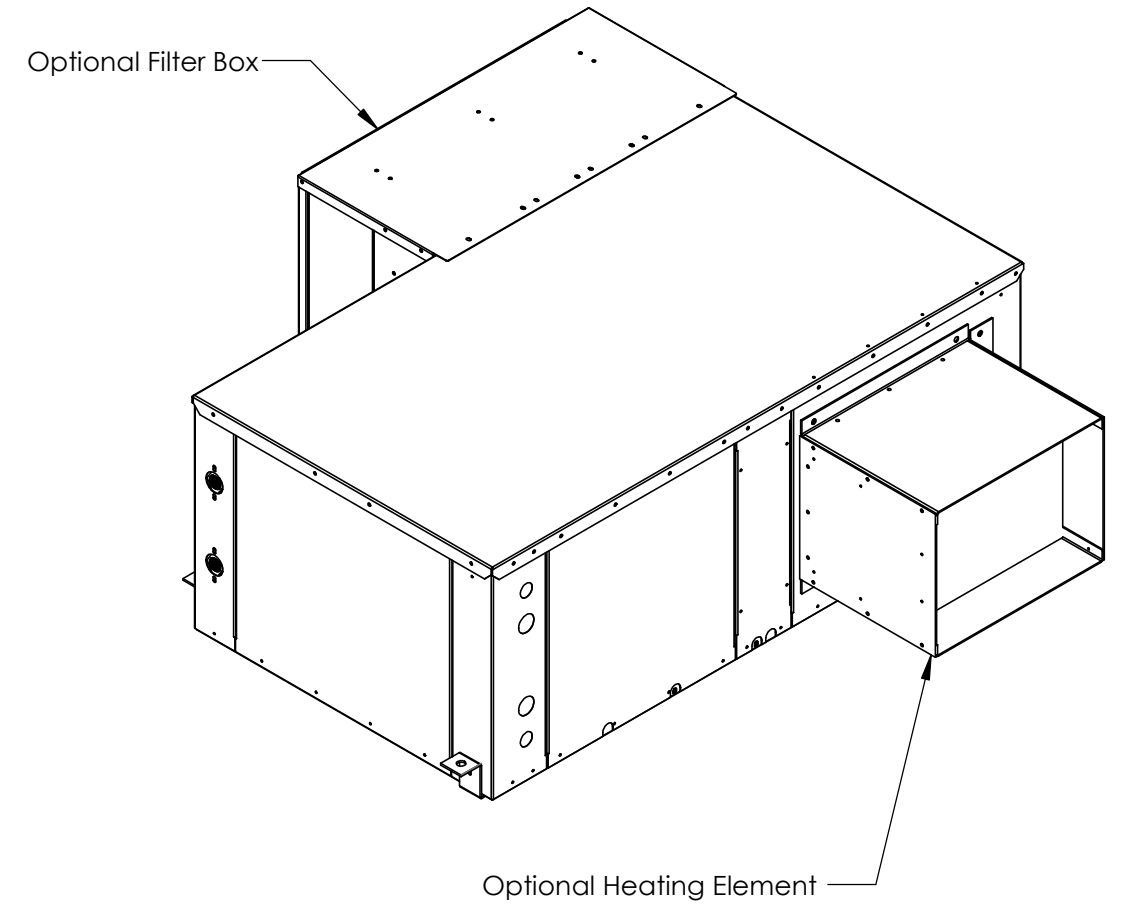
SRH 008-018		
PRODUCT REVISION(S):	J, K, L	
DATE(MM/DD/YYYY):	09/18/2025	REV: A
DESCRIPTION:	Standard Submittal Drawing for SpaceKeeper Horizontal Reversing R454B	



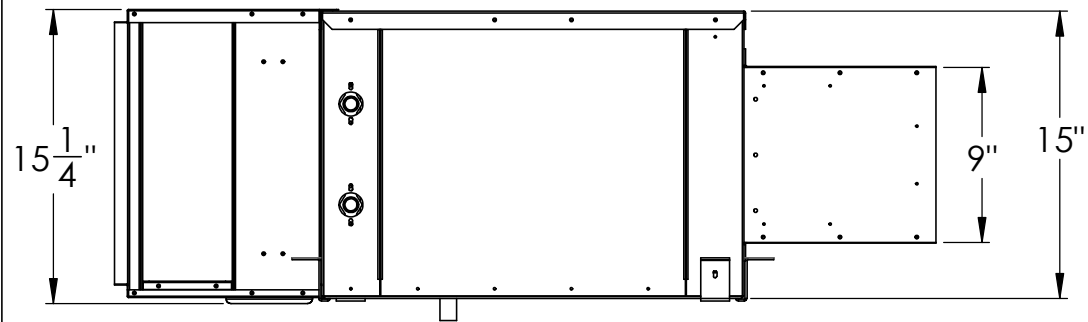
TOP VIEW



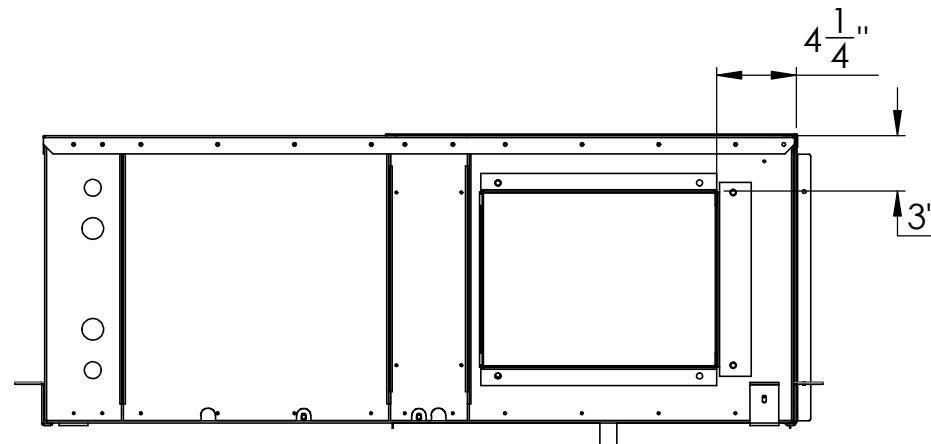
LH SIDE VIEW



NOTE: Dimensions Are Typical Between All 4 Arrangements



FRONT VIEW



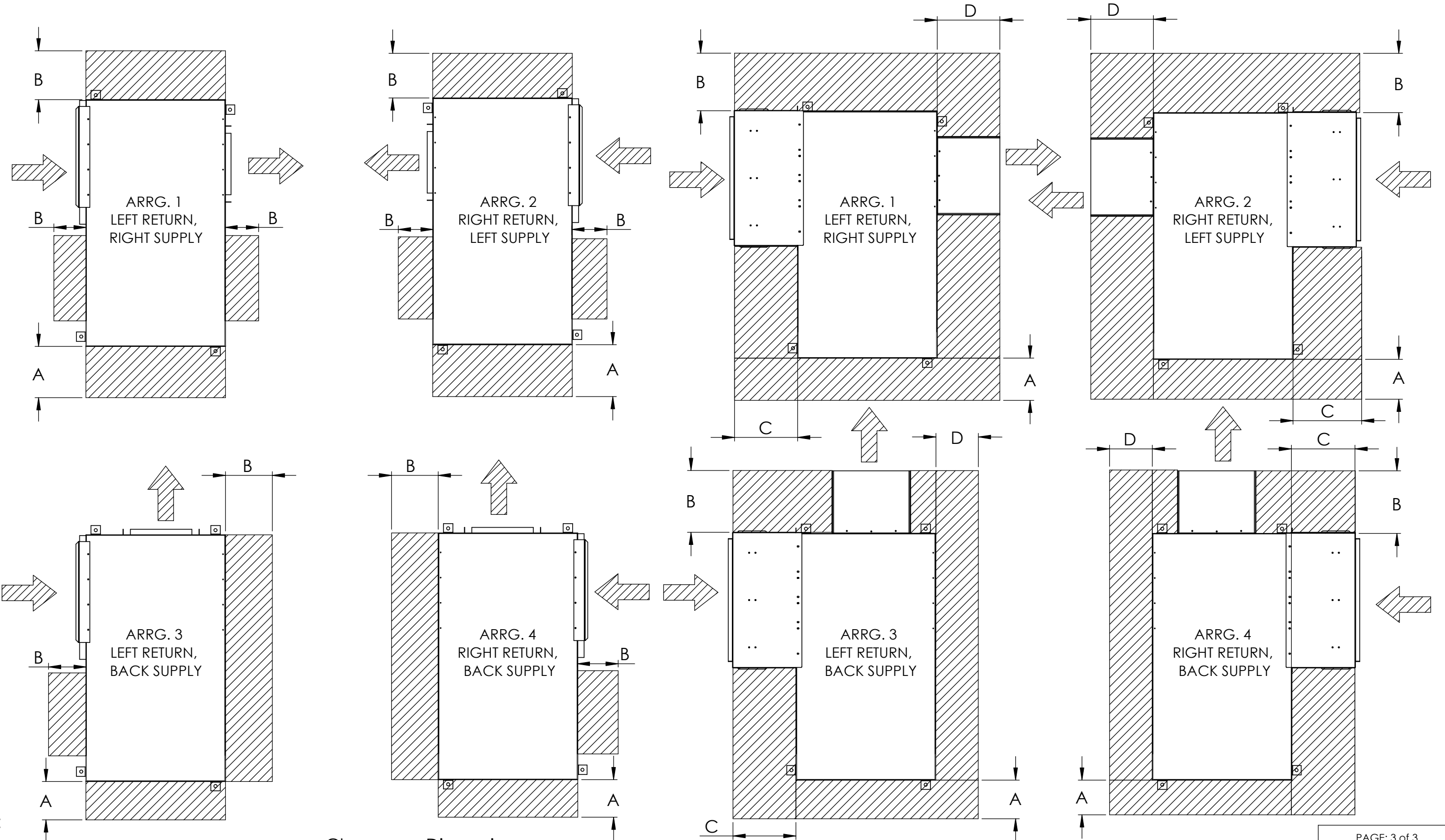
RH SIDE VIEW

THE INFORMATION CONTAINED IN THIS DRAWING IS THE SOLE PROPERTY OF CGC Group. ANY REPRODUCTION IN PART OR AS A WHOLE WITHOUT THE WRITTEN PERMISSION OF CGC Group IS PROHIBITED.

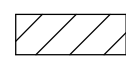
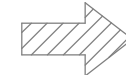


SRH 008-018

PRODUCT REVISION(S):	J, K, L
DATE(MM/DD/YYYY):	09/18/2025 REV: A
DESCRIPTION:	Standard Submittal Drawing for SpaceKeeper Horizontal Reversing R454B



LEGEND:

-  = SERVICE CLEARANCE
-  = DIRECTION OF AIRFLOW

Clearance Dimensions

- A = 30"
- B = 18"
- C = 20"
- D = 25"

THE INFORMATION CONTAINED IN THIS DRAWING IS THE SOLE PROPERTY OF CGC Group. ANY REPRODUCTION IN PART OR AS A WHOLE WITHOUT THE WRITTEN PERMISSION OF CGC Group IS PROHIBITED.



SRH 008-018

PRODUCT REVISION(S):	J, K, L
DATE(MM/DD/YYYY):	09/18/2025 REV: A
DESCRIPTION:	Standard Submittal Drawing for SpaceKeeper Horizontal Reversing R454B