

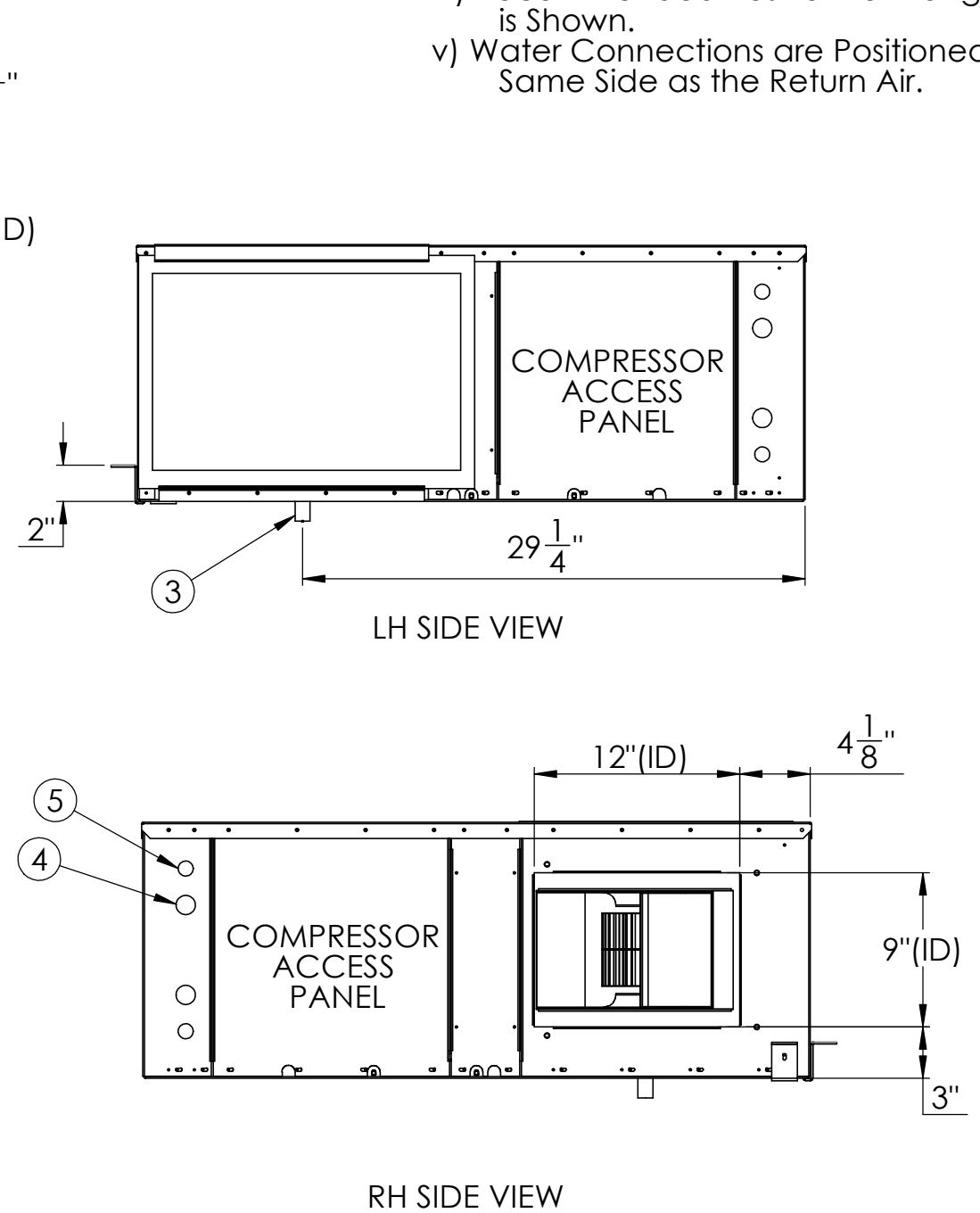
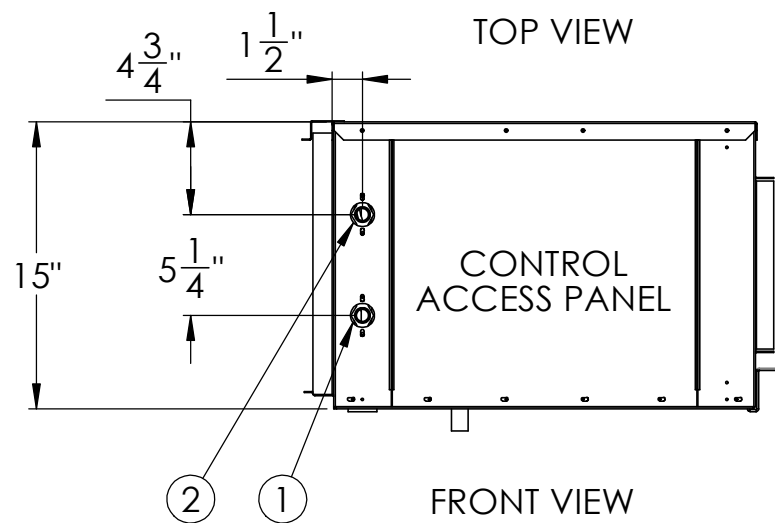
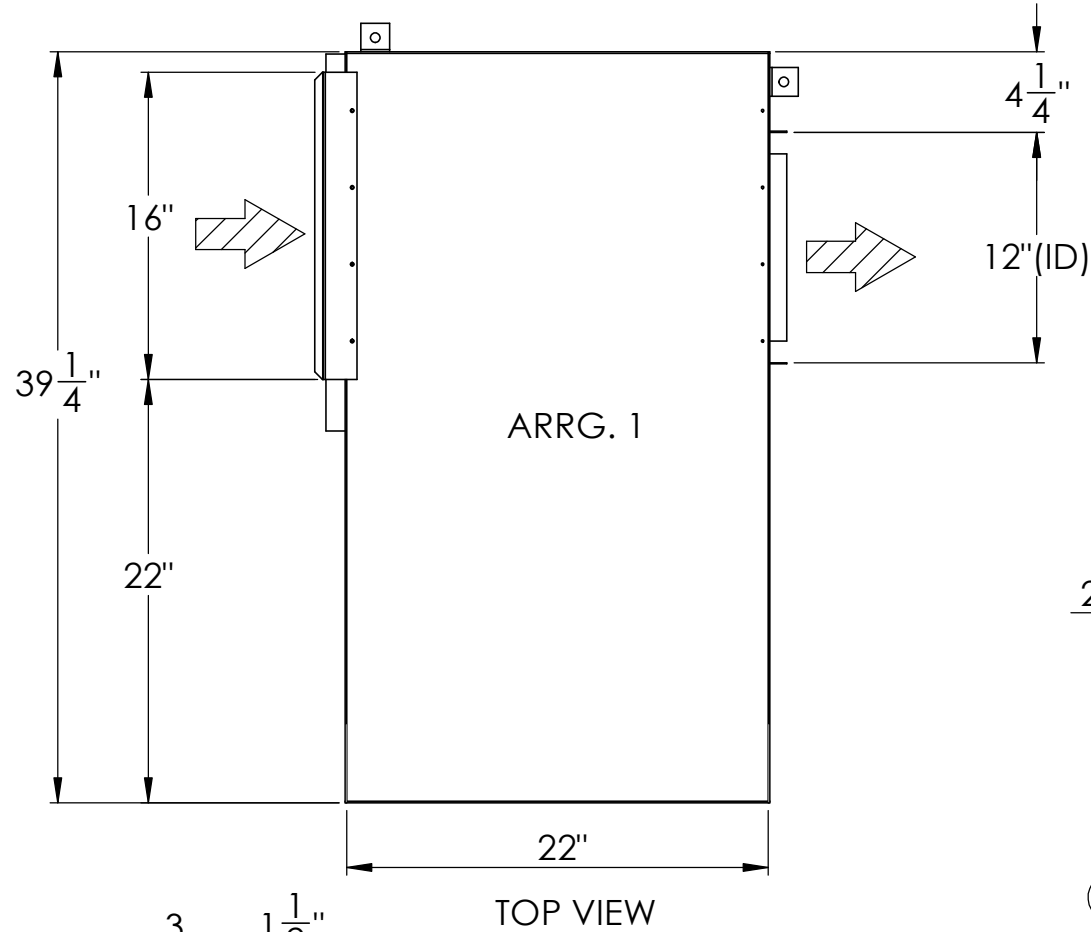
LEGEND:



1. Water Inlet, 3/4" FPT
 2. Water Outlet, 3/4" FPT
 3. Condensate Drain, 3/4"
 4. High Voltage Access, 1 1/8" Knockout
 5. Low Voltage Access, 7/8" Knockout
- (located on opposite side of unit as High Voltage Access)

REMARKS:

- i) One Disposable Fiberglass Filter Included. (14" x 20" x 1")
- ii) Rubber in Shear Isolation Included.
- iii) Arrangement 1 is Shown to Provide Essential Dimensions.
- iv) Recommended Position for Hanging Clips is Shown.
- v) Water Connections are Positioned on the Same Side as the Return Air.



PHYSICAL DATA [in]					MIN. SERVICE CLEARANCE REQUIRED	
W	L	H	SUP. AIR (W x H)	RET. AIR (W x H)	A	B
22	39 1/4	15	12x9	16x13	30"	18"

THE INFORMATION CONTAINED IN THIS DRAWING IS THE SOLE PROPERTY OF CGC Group. ANY REPRODUCTION IN PART OR AS A WHOLE WITHOUT THE WRITTEN PERMISSION OF CGC Group IS PROHIBITED.



SRH 008-018		
PRODUCT REVISION(S):	All	
DATE(MM/DD/YYYY):	10/09/2025	REV: A
DESCRIPTION:	Standard Submittal Drawing for SpaceKeeper Horizontal Reversing R454B	