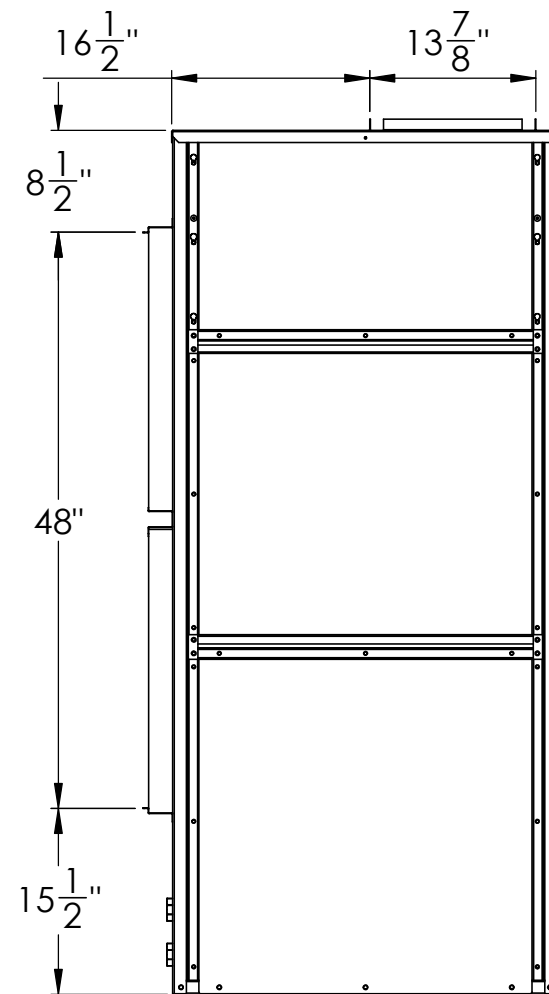
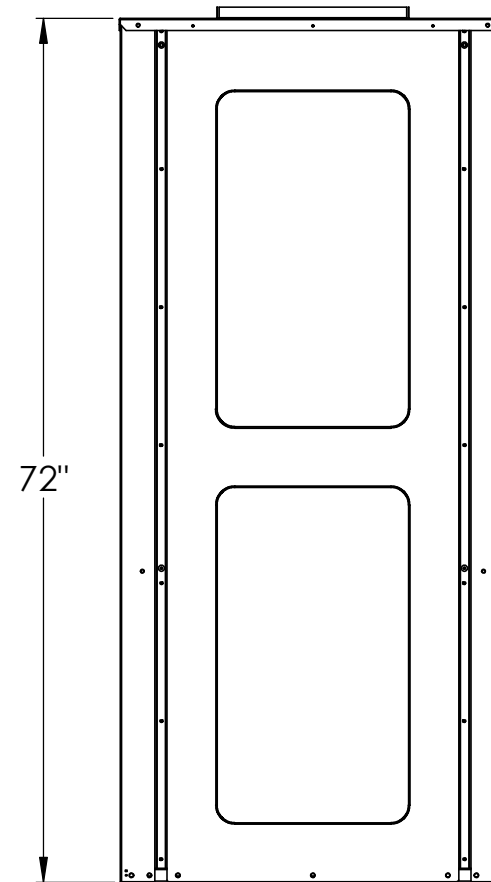


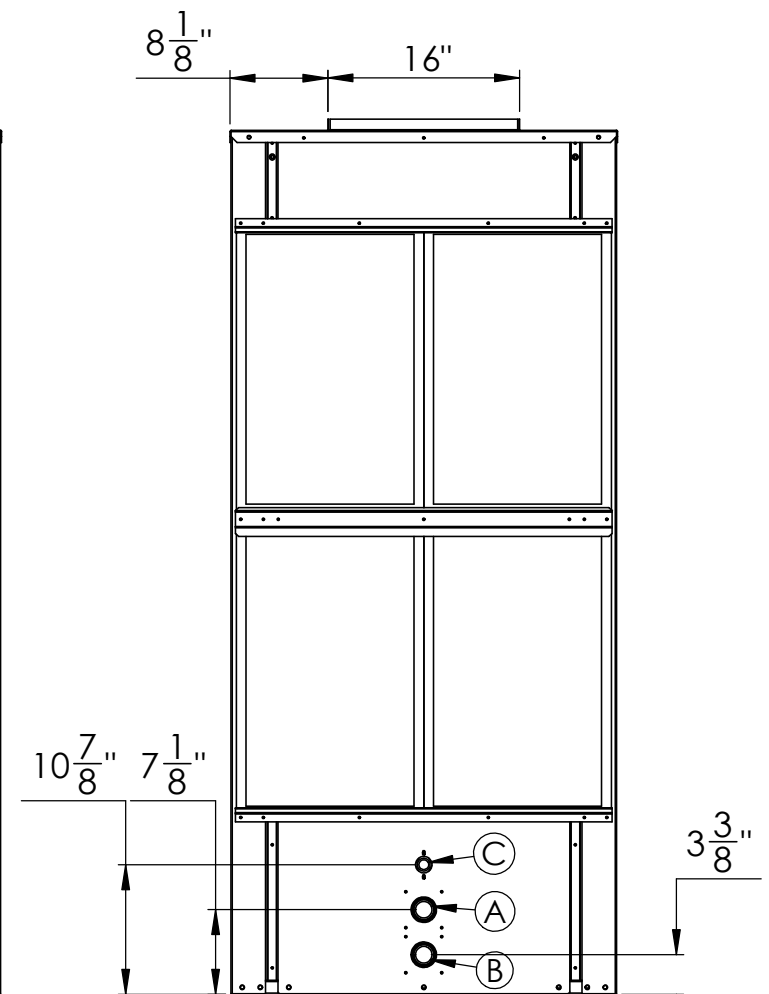
TOP VIEW



FRONT VIEW



RH SIDE VIEW



LH SIDE VIEW

**REMARKS:**

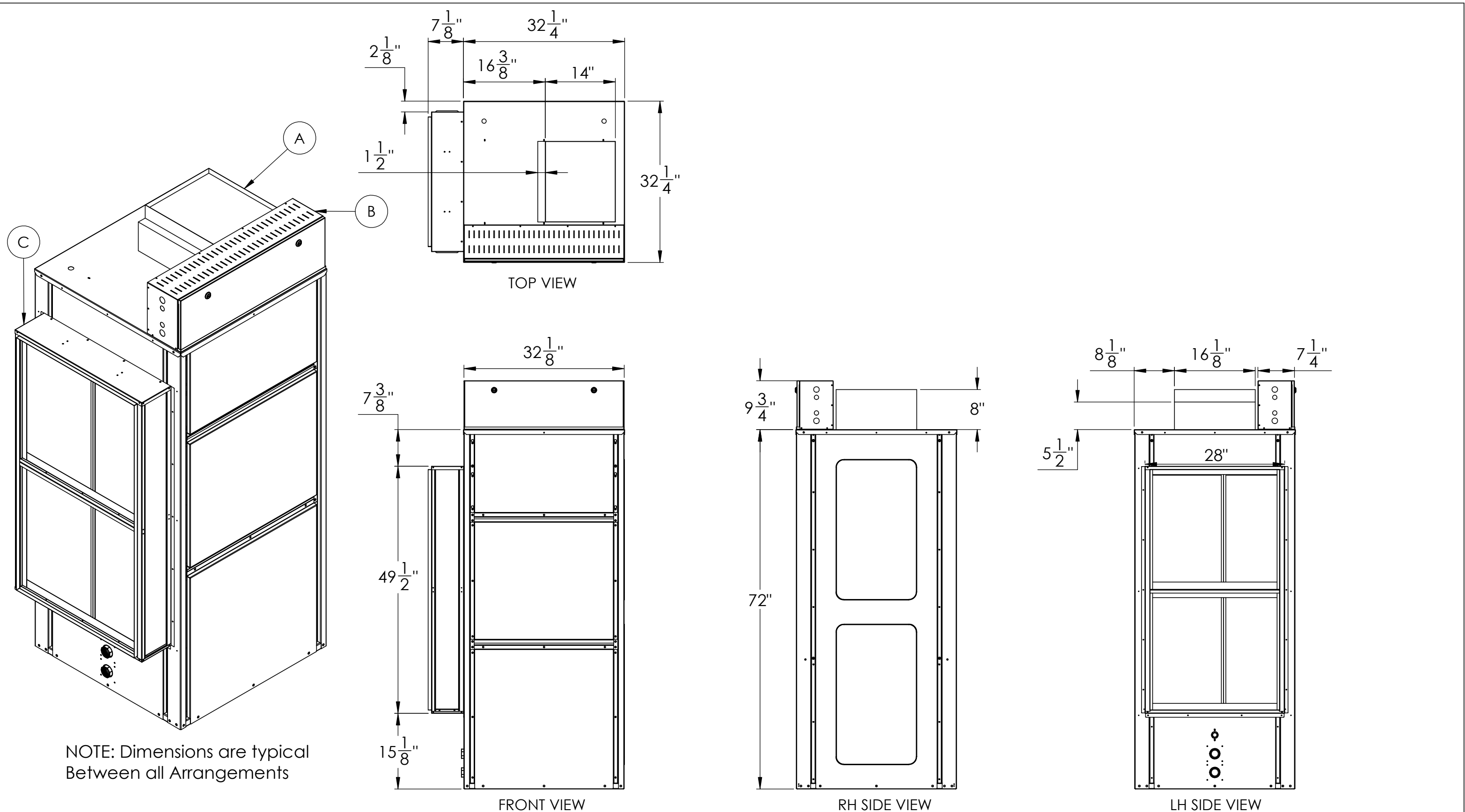
- Four Pleated Disposable Filter Included (16" x 24" x 2")
- Right Side Electrical Access Available
- Water Piping on Same Side as Filter Access
- Left Return Unit (ARRG. 1), Right Return Unit (ARRG. 2).

- A - Water Outlet, 1-1/4" FPT
- B - Water Inlet, 1-1/4" FPT
- C - Condensate Drain, 3/4" FPT
- D - High Voltage Access, 1 1/8"
- E - Low Voltage Access, 7/8"

THE INFORMATION CONTAINED IN THIS DRAWING IS THE SOLE PROPERTY OF CGC Group. ANY REPRODUCTION IN PART OR AS A WHOLE WITHOUT THE WRITTEN PERMISSION OF CGC Group IS PROHIBITED.



PAGE: 1 of 3	
PRODUCT FAMILY:	SKV 070-100
PRODUCT REVISION(S):	L
DATE(MM/DD/YYYY):	01/09/2026 REV: A
DESCRIPTION:	Standard Submittal Drawing for SpaceKeeper Vertical Stacked Hybrid R454B



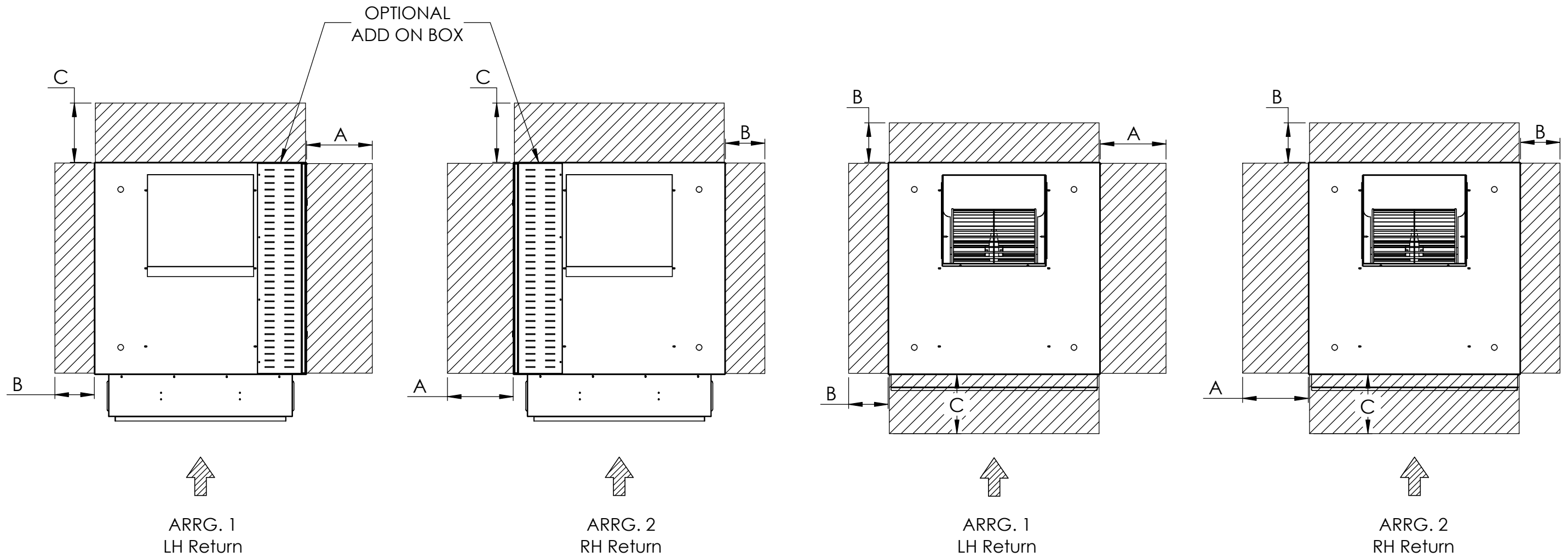
NOTE: Dimensions are typical Between all Arrangements

- (A) Optional Electric Heater
- (B) Optional Add on Box
- (C) Optional Filter Box

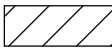
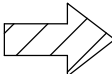
THE INFORMATION CONTAINED IN THIS DRAWING IS THE SOLE PROPERTY OF CGC Group. ANY REPRODUCTION IN PART OR AS A WHOLE WITHOUT THE WRITTEN PERMISSION OF CGC Group IS PROHIBITED.



PAGE: 2 of 3	
PRODUCT FAMILY:	SKV 070-100
PRODUCT REVISION(S):	L
DATE(MM/DD/YYYY):	01/09/2026 REV: A
DESCRIPTION:	Standard Submittal Drawing for SpaceKeeper Vertical Stacked Hybrid R454B



LEGEND:

 = SERVICE CLEARANCE	Clearance Dimensions	
	A	30"
	B	18"
	C	20"
 = DIRECTION OF AIRFLOW		

THE INFORMATION CONTAINED IN THIS DRAWING IS THE SOLE PROPERTY OF CGC Group. ANY REPRODUCTION IN PART OR AS A WHOLE WITHOUT THE WRITTEN PERMISSION OF CGC Group IS PROHIBITED.		PRODUCT FAMILY:	SKV 070-100
		PRODUCT REVISION(S):	L
		DATE(MM/DD/YYYY):	01/09/2026 REV: A
		DESCRIPTION:	Standard Submittal Drawing for SpaceKeeper Vertical Stacked Hybrid R454B