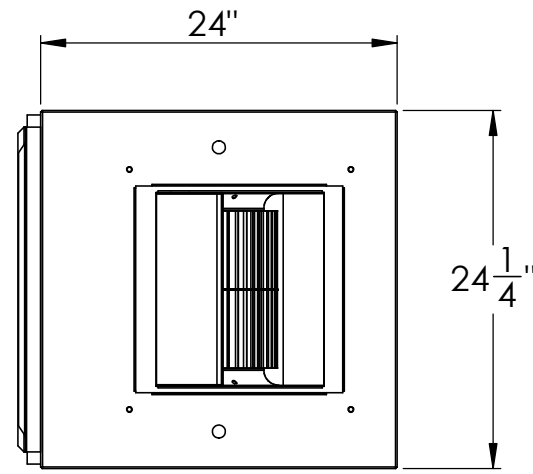


**REMARKS:**

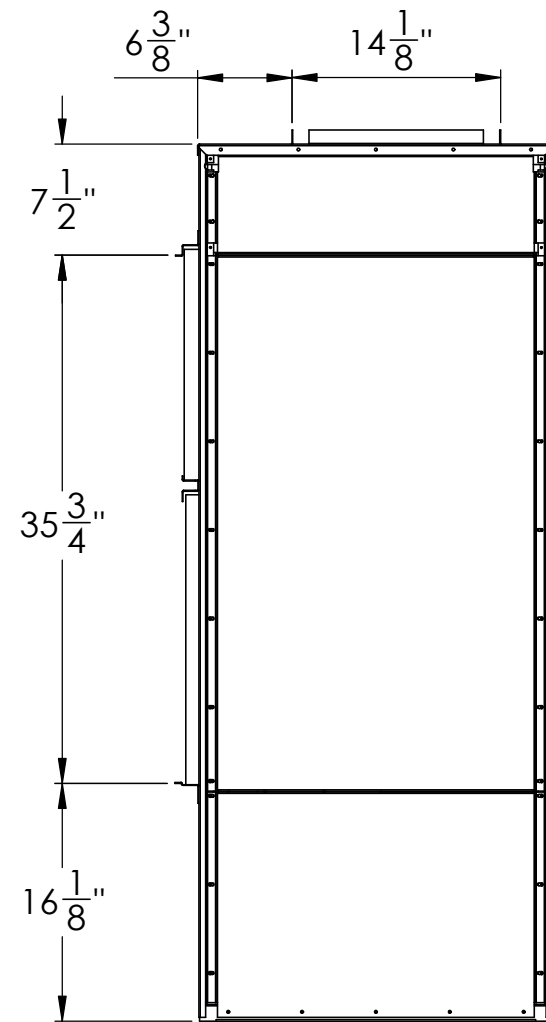
- Two Pleated Disposable Filter Included (20" x 24" x 1") & (16" x 24" x 1").
- Right Side Electrical Access Available.
- Water Piping on Same Side as Filter Access.
- Left Return Unit (ARRG. 1), Right Return Unit (ARRG. 2).

- A - Water Outlet, 1-1/4" FPT
- B - Water Inlet, 1-1/4" FPT
- C - Condensate Drain, 3/4" FPT
- D - High Voltage Access, 7/8"
- E - Low Voltage Access, 7/8"

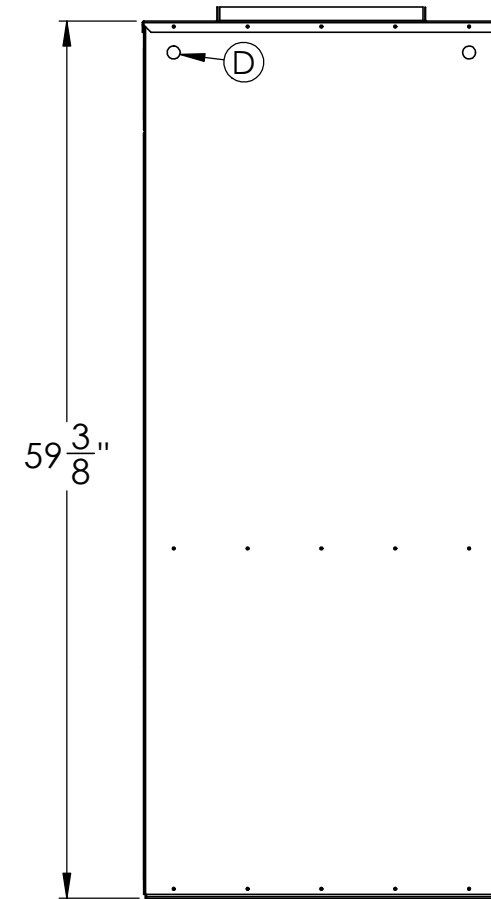
Arrangement 1



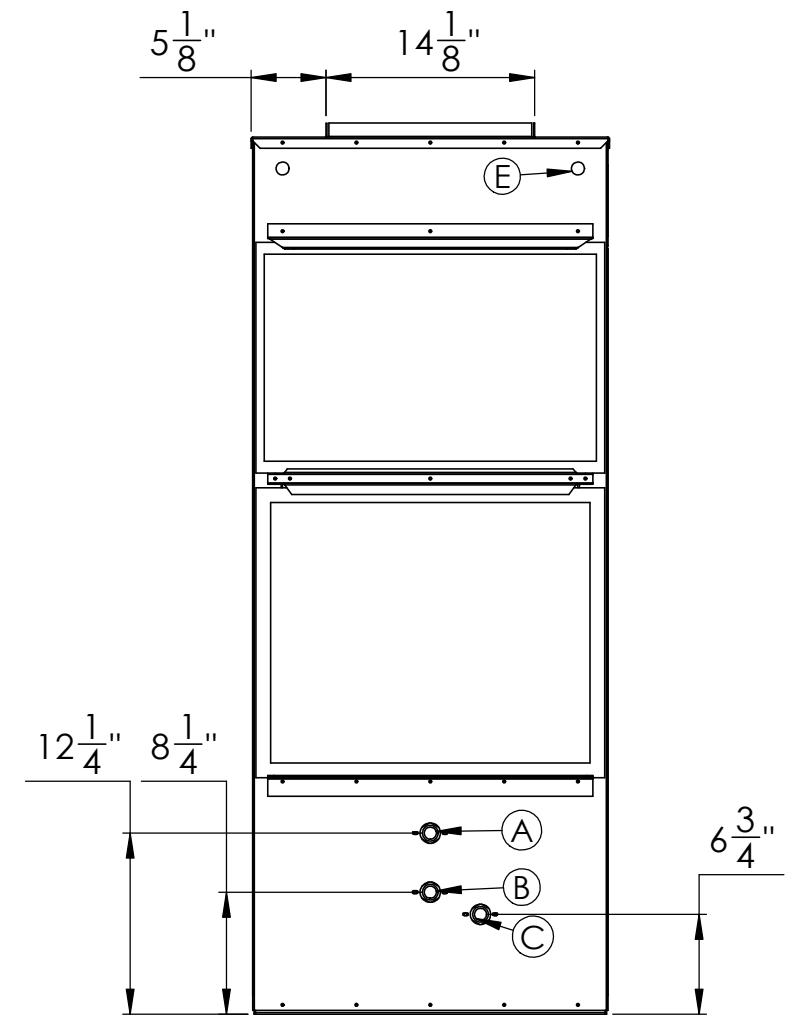
TOP VIEW



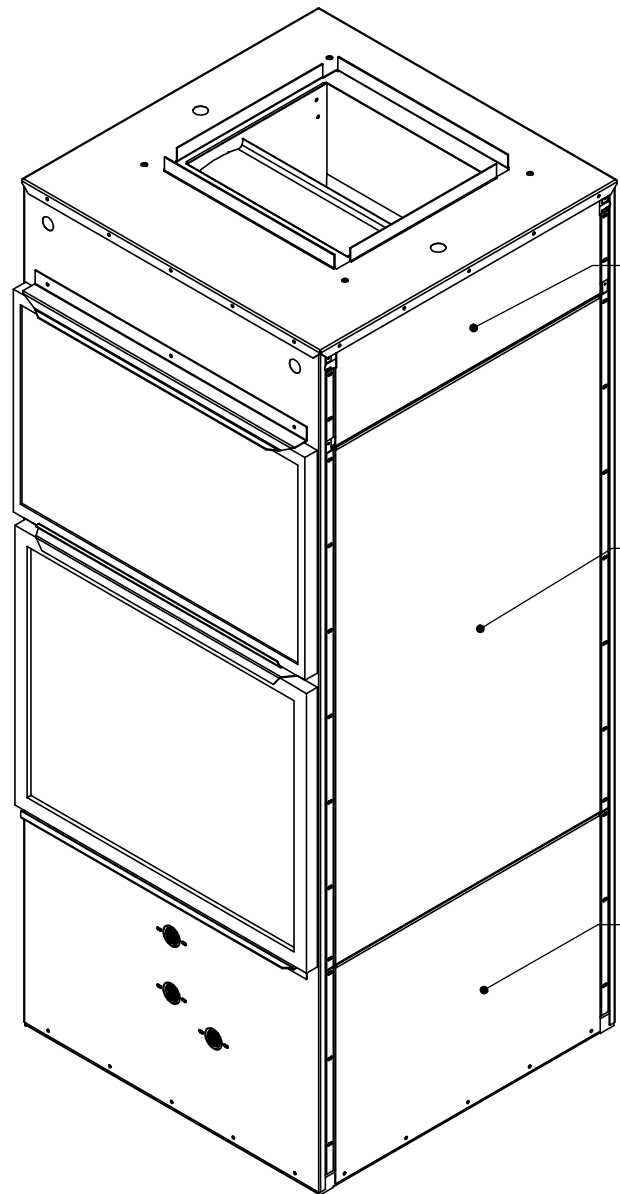
FRONT VIEW



RH SIDE VIEW



LH SIDE VIEW



CONTROL ACCESS

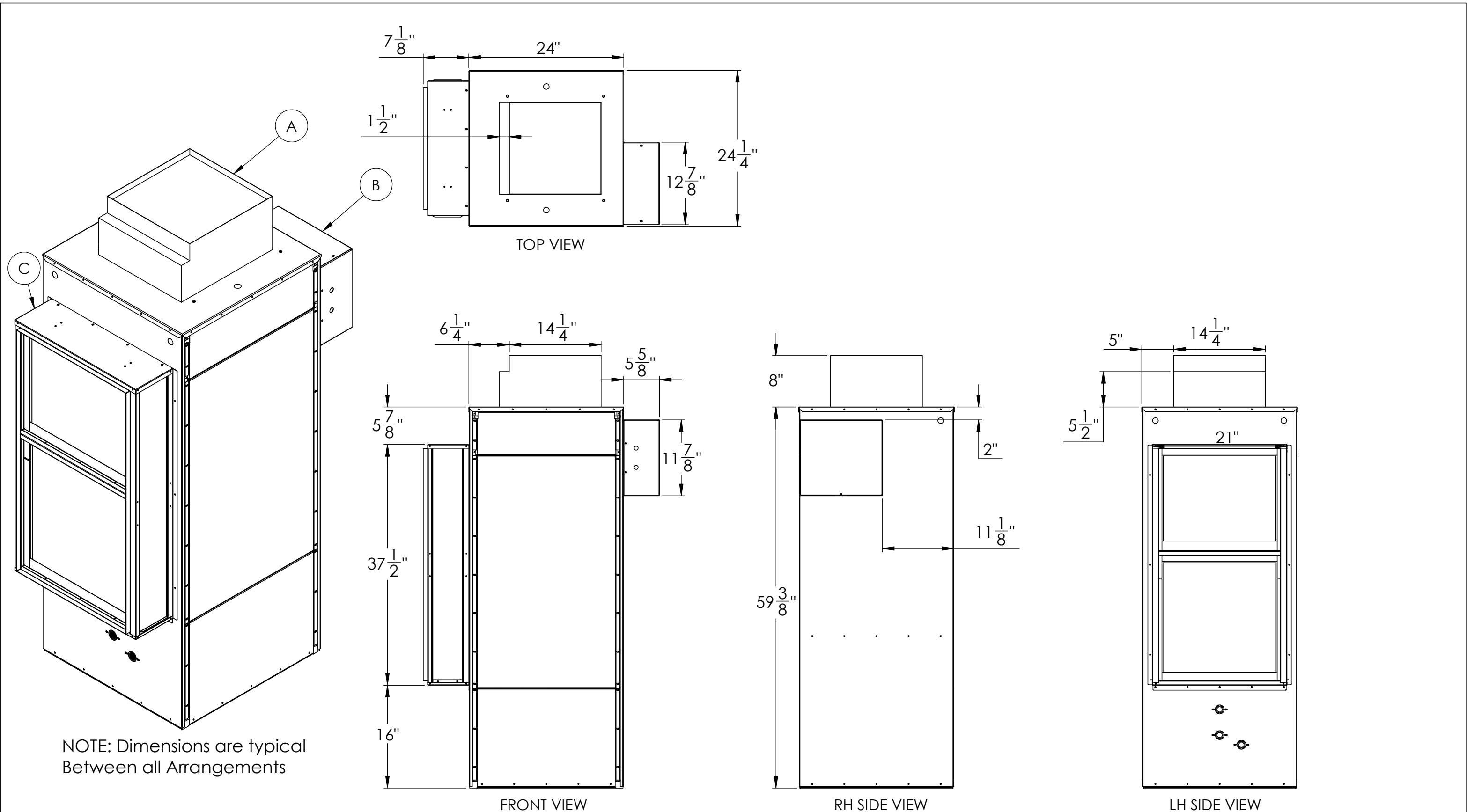
FAN ACCESS

COMPRESSOR ACCESS

THE INFORMATION CONTAINED IN THIS DRAWING IS THE SOLE PROPERTY OF CGC Group. ANY REPRODUCTION IN PART OR AS A WHOLE WITHOUT THE WRITTEN PERMISSION OF CGC Group IS PROHIBITED.



PAGE: 1 of 3	
PRODUCT FAMILY:	SKV 042-060
PRODUCT REVISION(S):	L
DATE(MM/DD/YYYY):	01/09/2026 REV: A
DESCRIPTION:	Standard Submittal Drawing for SpaceKeeper Vertical Stacked Hybrid R454B



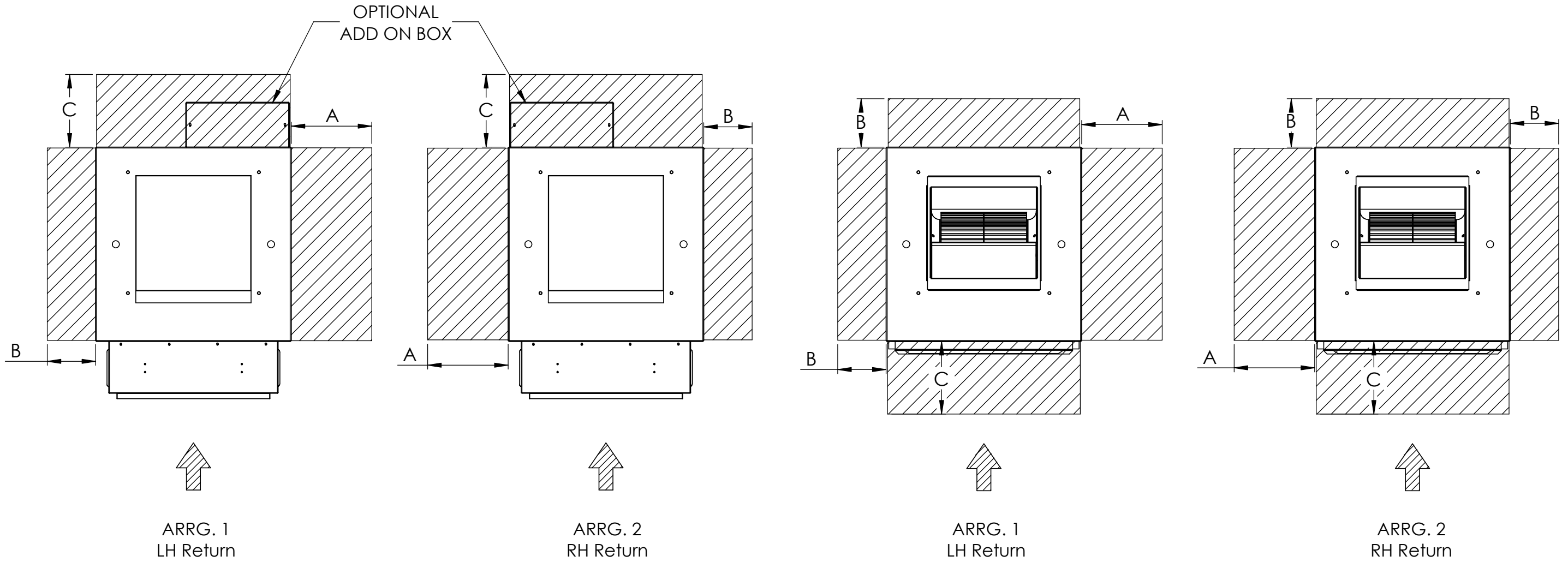
NOTE: Dimensions are typical Between all Arrangements

- (A) Optional Electric Heater
- (B) Optional Add on Box
- (C) Optional Filter Box

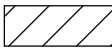
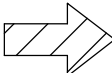
THE INFORMATION CONTAINED IN THIS DRAWING IS THE SOLE PROPERTY OF CGC Group. ANY REPRODUCTION IN PART OR AS A WHOLE WITHOUT THE WRITTEN PERMISSION OF CGC Group IS PROHIBITED.



PAGE: 2 of 3	
PRODUCT FAMILY:	SKV 042-060
PRODUCT REVISION(S):	L
DATE(MM/DD/YYYY):	01/09/2026 REV: A
DESCRIPTION:	Standard Submittal Drawing for SpaceKeeper Vertical Stacked Hybrid R454B



LEGEND:

	= SERVICE CLEARANCE	Clearance Dimensions	
	= DIRECTION OF AIRFLOW	A	30"
		B	18"
		C	20"

THE INFORMATION CONTAINED IN THIS DRAWING IS THE SOLE PROPERTY OF CGC Group. ANY REPRODUCTION IN PART OR AS A WHOLE WITHOUT THE WRITTEN PERMISSION OF CGC Group IS PROHIBITED.



PRODUCT FAMILY:	SKV 042-060	PAGE: 3 of 3
PRODUCT REVISION(S):	L	
DATE(MM/DD/YYYY):	01/09/2026	REV: A
DESCRIPTION:	Standard Submittal Drawing for SpaceKeeper Vertical Stacked Hybrid R454B	