

REMARKS:

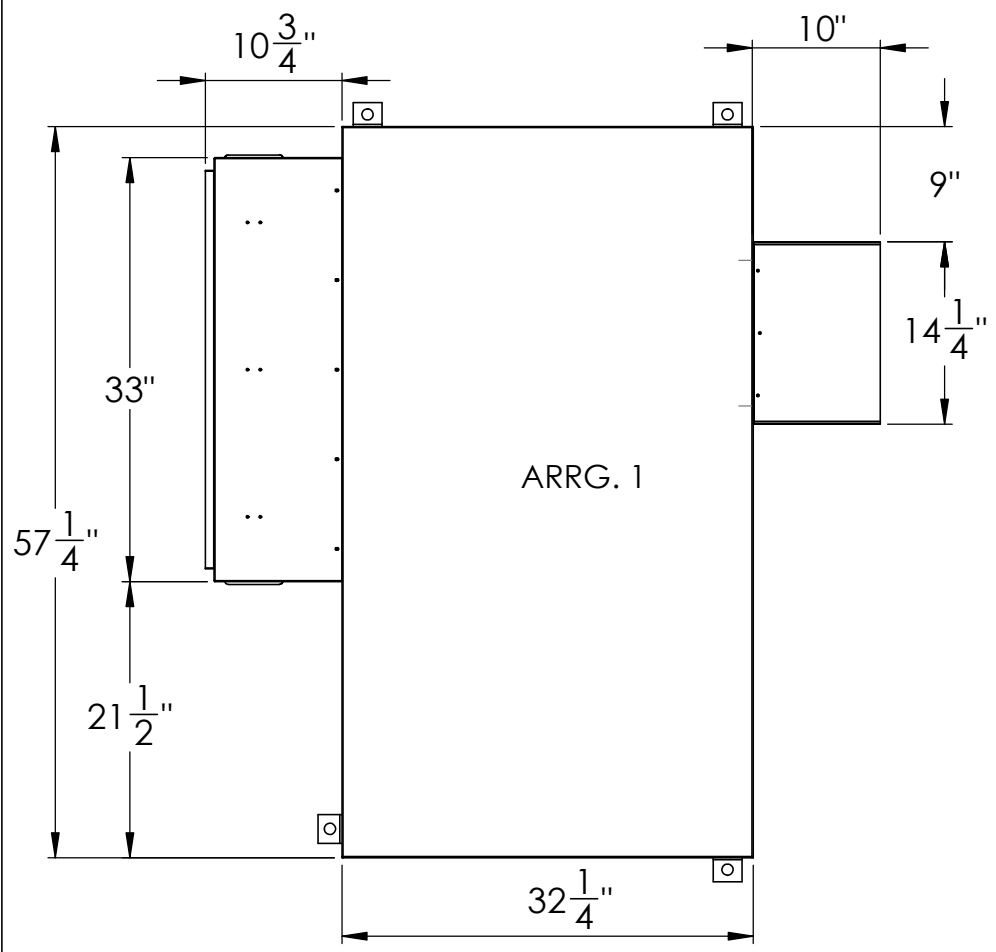
- Two disposable fiberglass filter included (2X) (16" x 20" x 1")
- Rubber in shear isolation included
- Arrangement 1 is shown to provide essential dimensions
- Recommended position for hanging clips is shown
- Water connections are positioned on same side as the return air

- A - Water Inlet, 1 1/4" FPT
- B - Water Outlet, 1 1/4" FPT
- C - Condensate Drain, 3/4"
- D - High Voltage Access, 1-1/8" Knockout
- E - Low Voltage Access, 7/8" Knockout

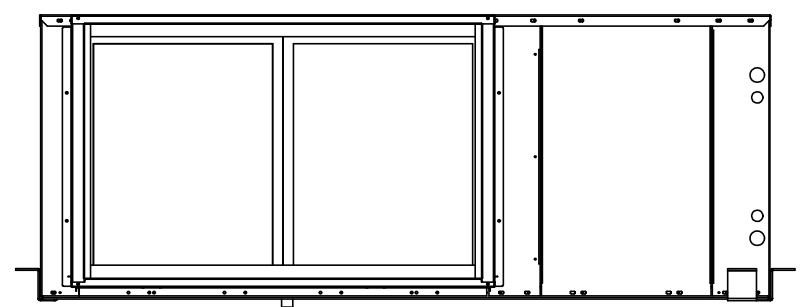
THE INFORMATION CONTAINED IN THIS DRAWING IS THE SOLE PROPERTY OF CGC Group. ANY REPRODUCTION IN PART OR AS A WHOLE WITHOUT THE WRITTEN PERMISSION OF CGC Group IS PROHIBITED.



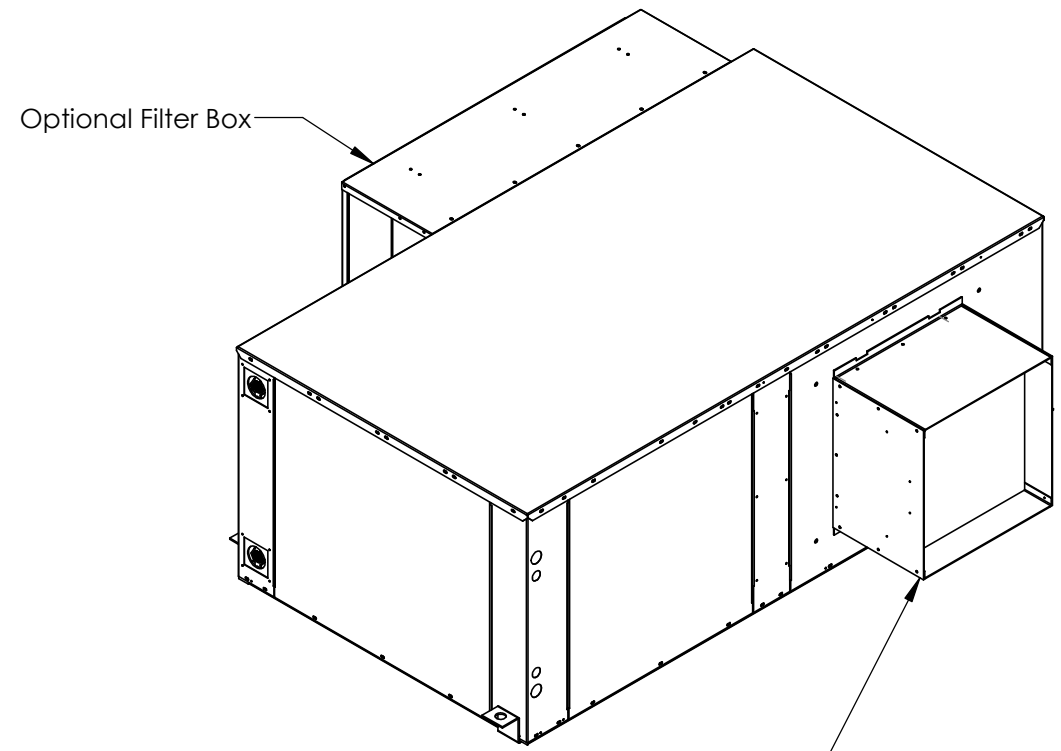
SKH 042-060		
PRODUCT REVISION(S):	M	
DATE(MM/DD/YYYY):	11/28/2025	REV: A
DESCRIPTION:	Standard Submittal Drawing for SpaceKeeper Horizontal Hybrid R454B	



TOP VIEW

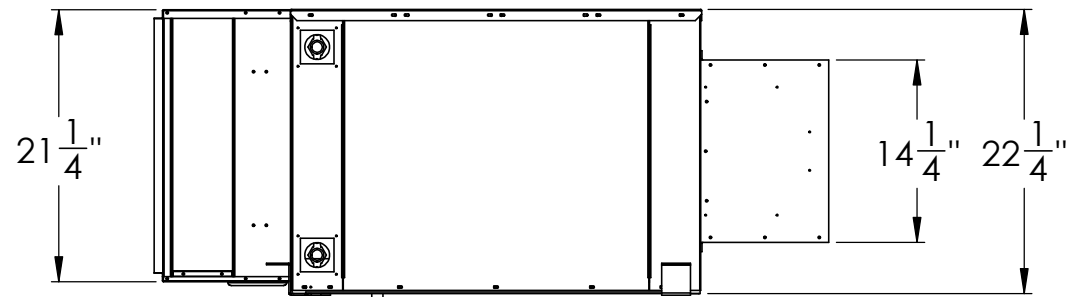


LH SIDE VIEW

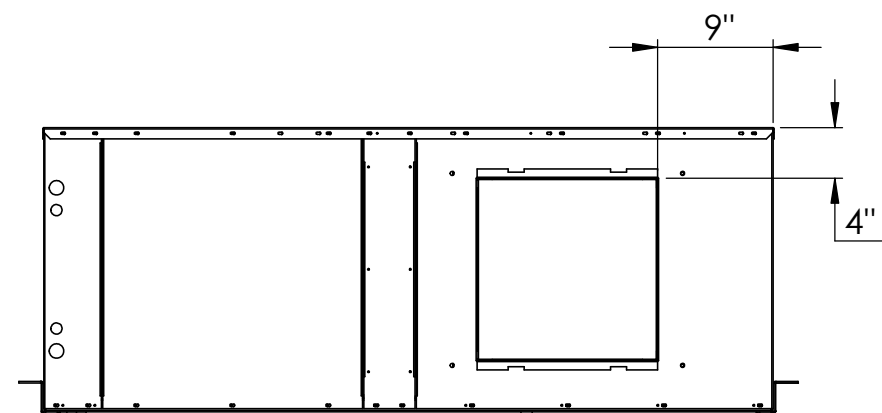


Optional Heating Element

NOTE: Dimensions Are Typical Between All 4 Arrangements



FRONT VIEW



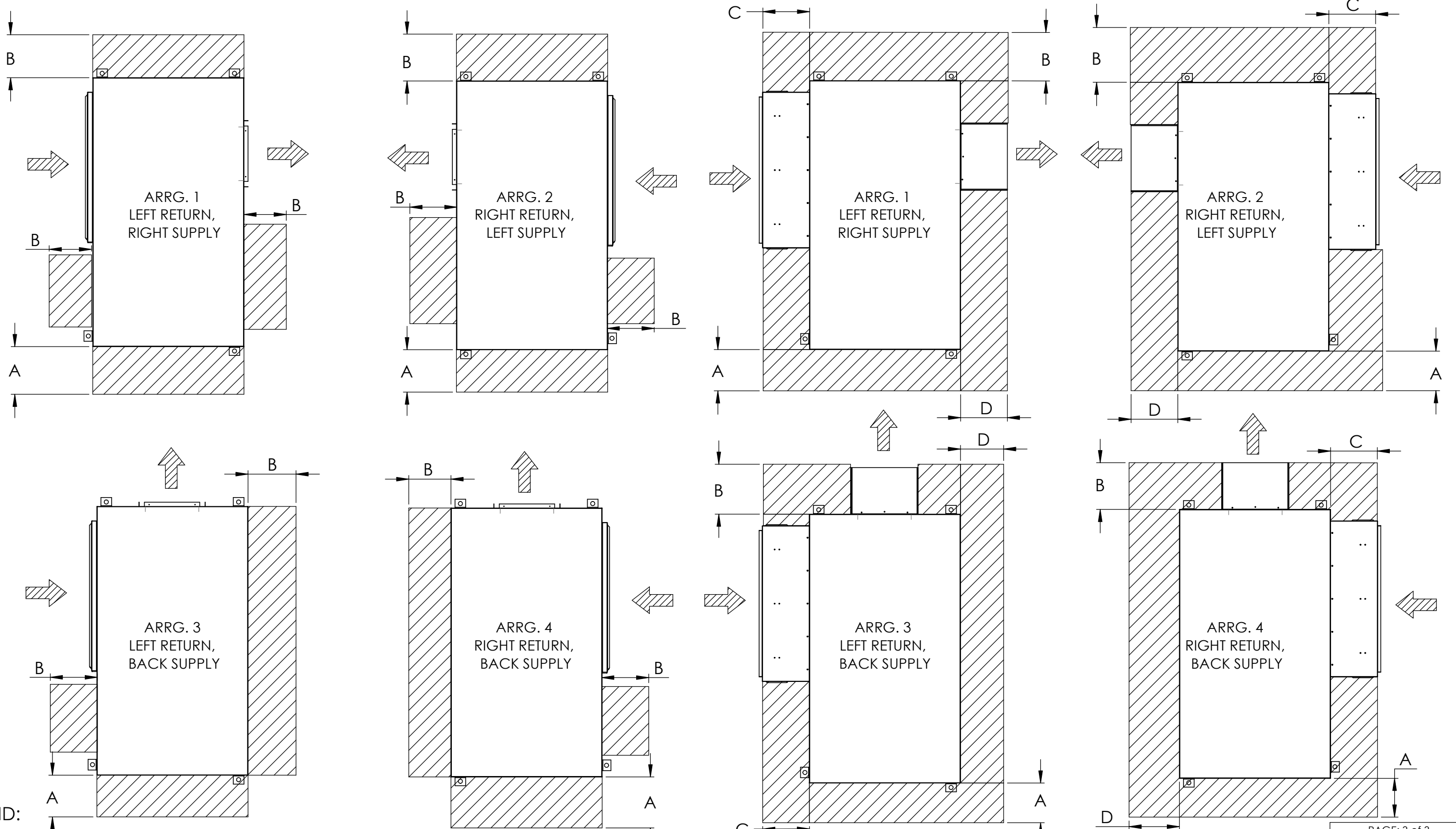
RH SIDE VIEW

THE INFORMATION CONTAINED IN THIS DRAWING IS THE SOLE PROPERTY OF CGC Group. ANY REPRODUCTION IN PART OR AS A WHOLE WITHOUT THE WRITTEN PERMISSION OF CGC Group IS PROHIBITED.



SKH 042-060

PRODUCT REVISION(S):	M
DATE(MM/DD/YYYY):	11/28/2025 REV: A
DESCRIPTION:	Standard Submittal Drawing for SpaceKeeper Horizontal Hybrid R454B



LEGEND:

- = SERVICE CLEARANCE
- = DIRECTION OF AIRFLOW

Clearance Dimensions
 A = 30"
 B = 18"
 C = 20"
 D = 25"

THE INFORMATION CONTAINED IN THIS DRAWING IS THE SOLE PROPERTY OF CGC Group. ANY REPRODUCTION IN PART OR AS A WHOLE WITHOUT THE WRITTEN PERMISSION OF CGC Group IS PROHIBITED.			SKH 042-060	
			PRODUCT REVISION(S):	M
	DATE(MM/DD/YYYY):	11/28/2025	REV:	A
DESCRIPTION:		Standard Submittal Drawing for SpaceKeeper Horizontal Hybrid R454B		

PAGE: 3 of 3