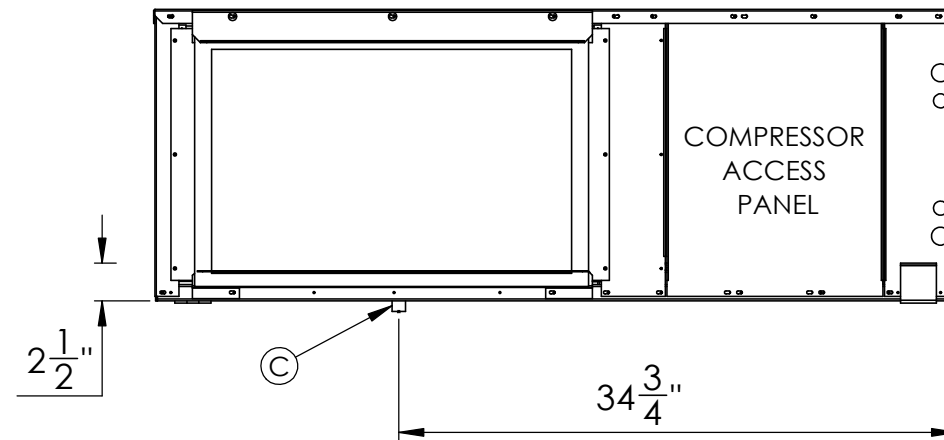
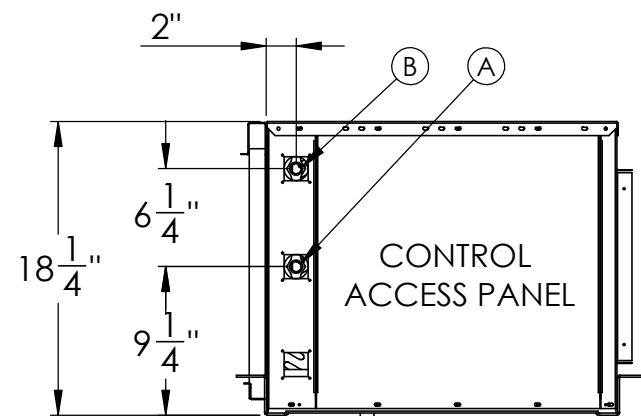
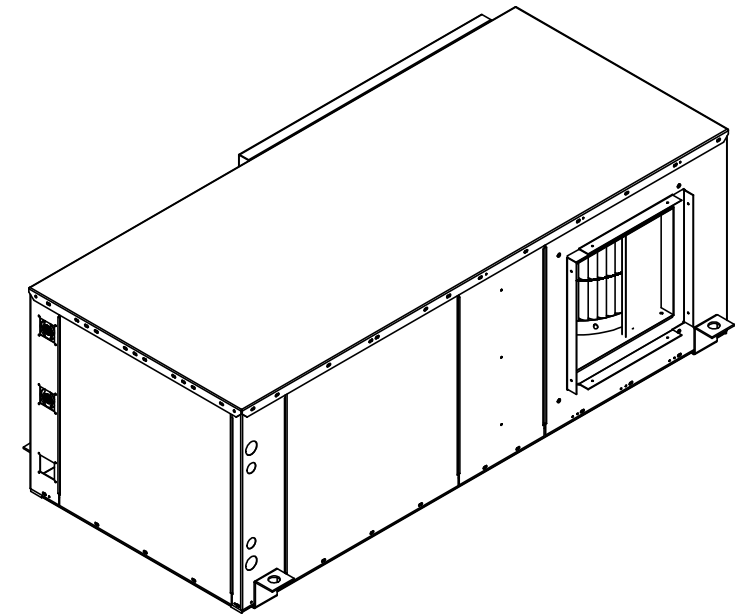


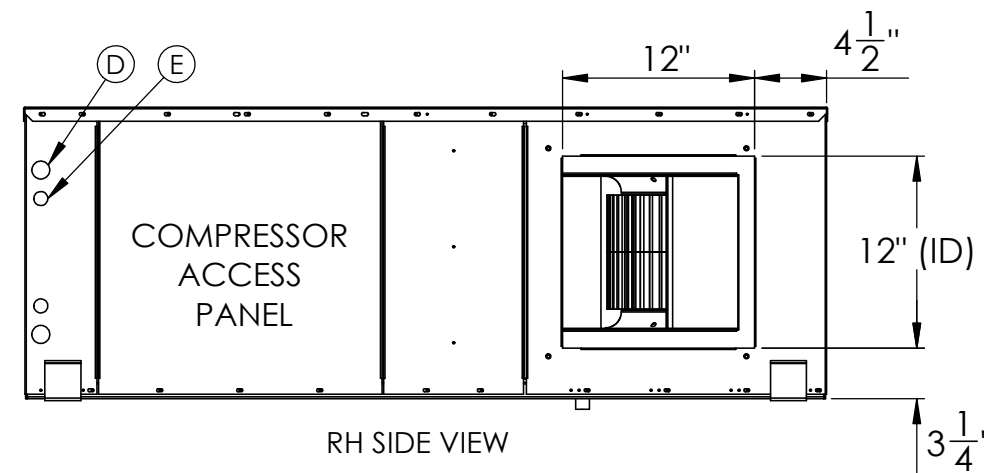
TOP VIEW



LH SIDE VIEW



FRONT VIEW



RH SIDE VIEW

REMARKS:

- One disposable fiberglass filter included (16" x 28" x 1")
- Rubber in shear isolation included
- Arrangement 1 is shown to provide essential dimensions
- Recommended position for hanging clips is shown
- Water connections are positioned on same side as the return air

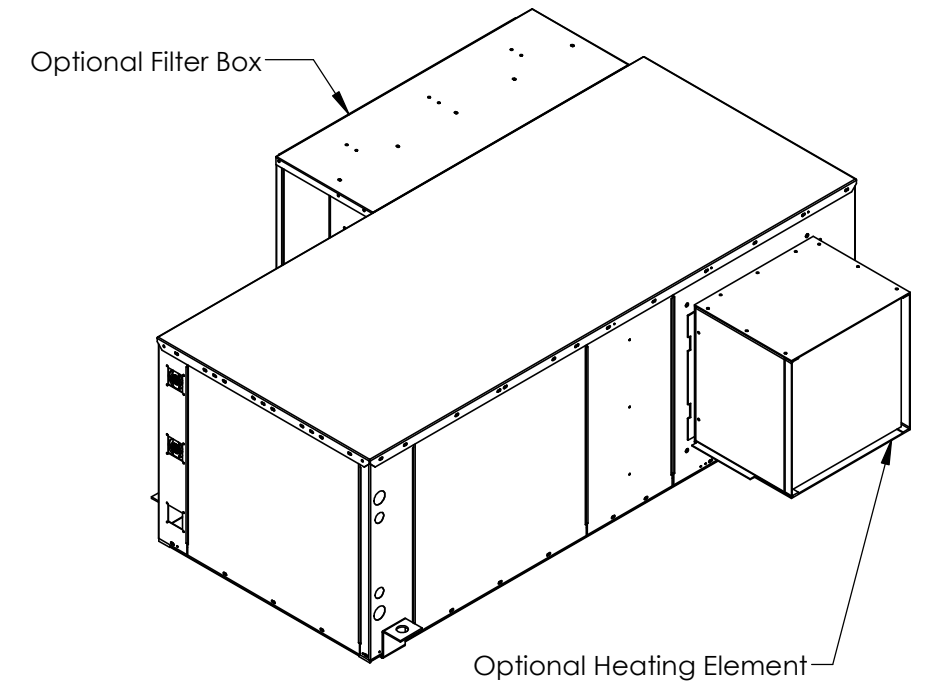
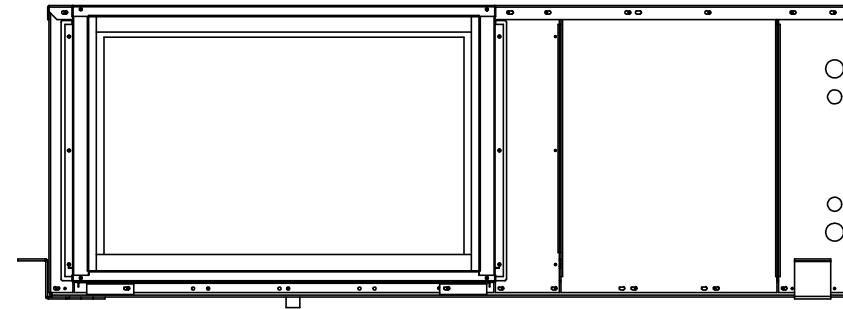
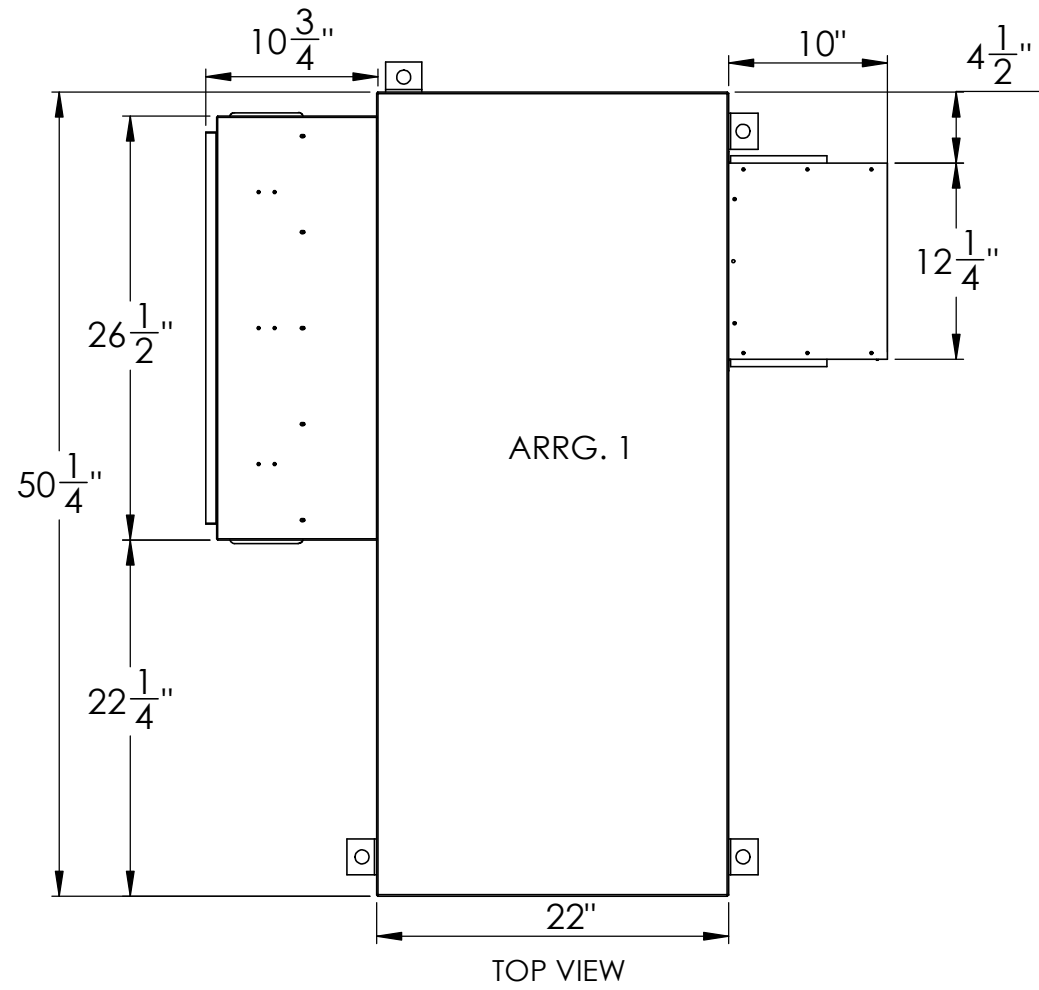
- A - Water Inlet, 1" FPT
- B - Water Outlet, 1" FPT
- C - Condensate Drain, 3/4"
- D - High Voltage Access, 1-1/8" Knockout
- E - Low Voltage Access, 7/8" Knockout

THE INFORMATION CONTAINED IN THIS DRAWING IS THE SOLE PROPERTY OF CGC Group. ANY REPRODUCTION IN PART OR AS A WHOLE WITHOUT THE WRITTEN PERMISSION OF CGC Group IS PROHIBITED.

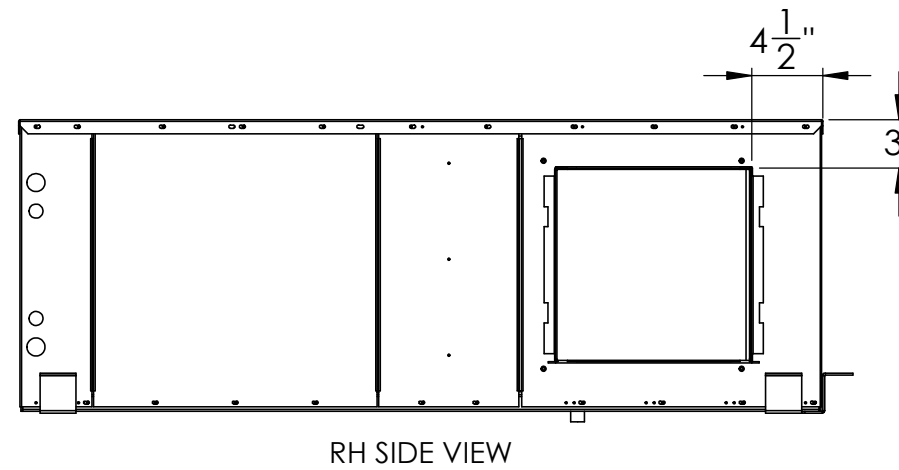
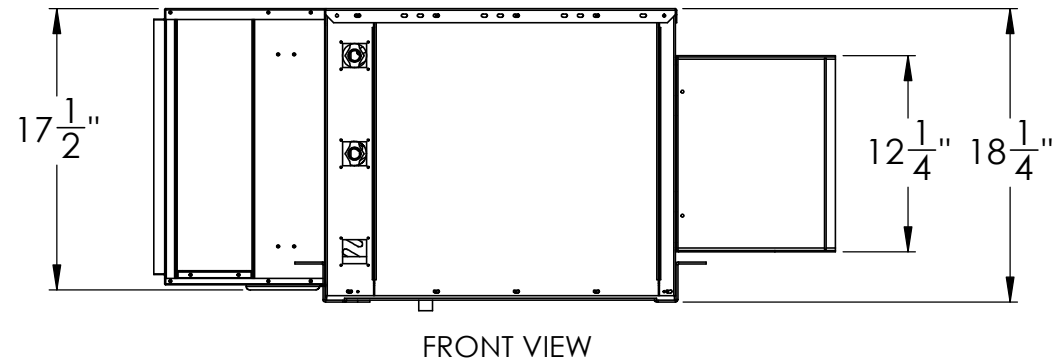


SKH 020-036

PRODUCT REVISION(S):	M
DATE(MM/DD/YYYY):	11/28/2025 REV: A
DESCRIPTION:	Standard Submittal Drawing for SpaceKeeper Horizontal Hybrid R454B



NOTE: Dimensions are Typical Between all 4 Arrangements

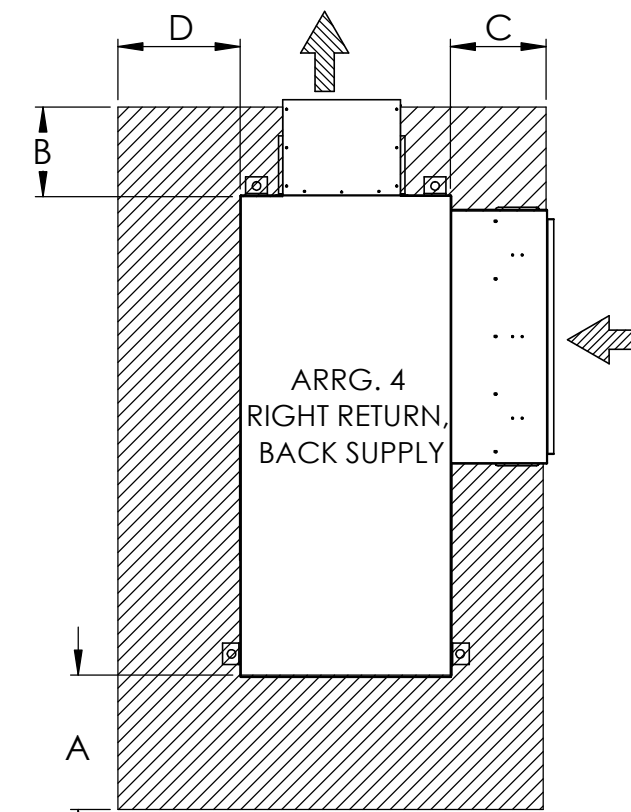
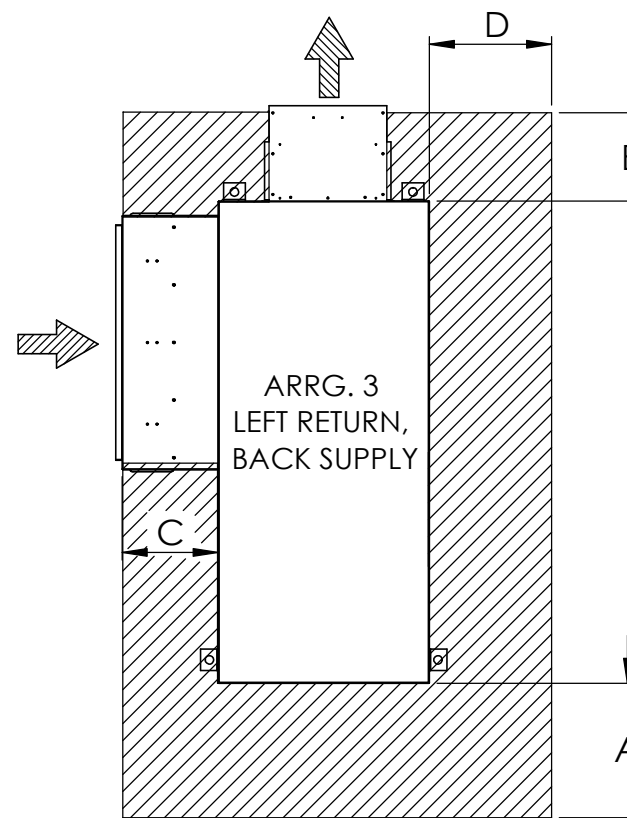
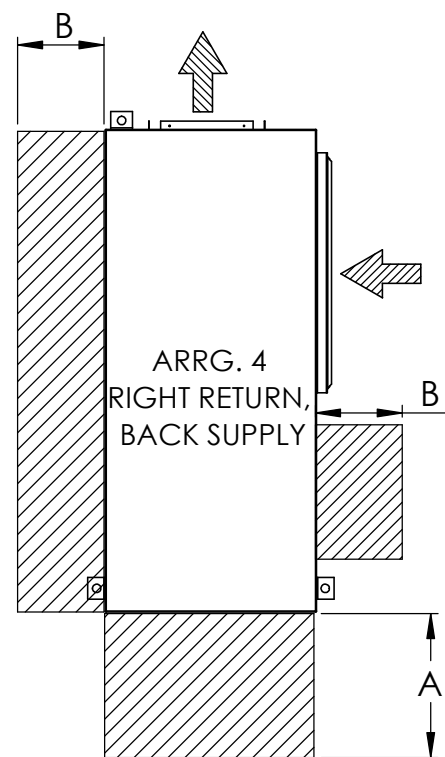
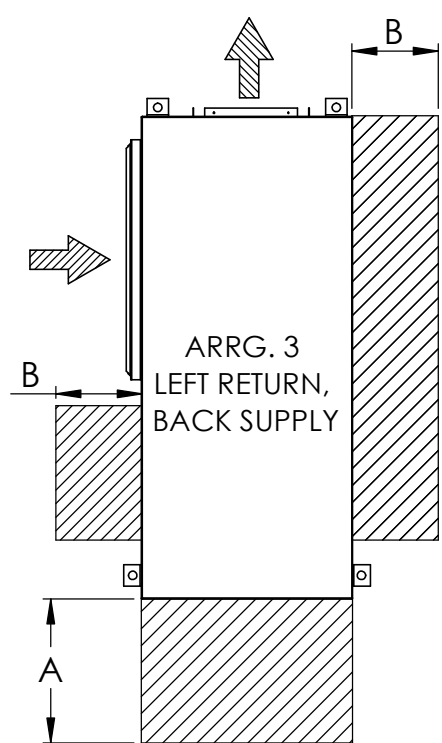
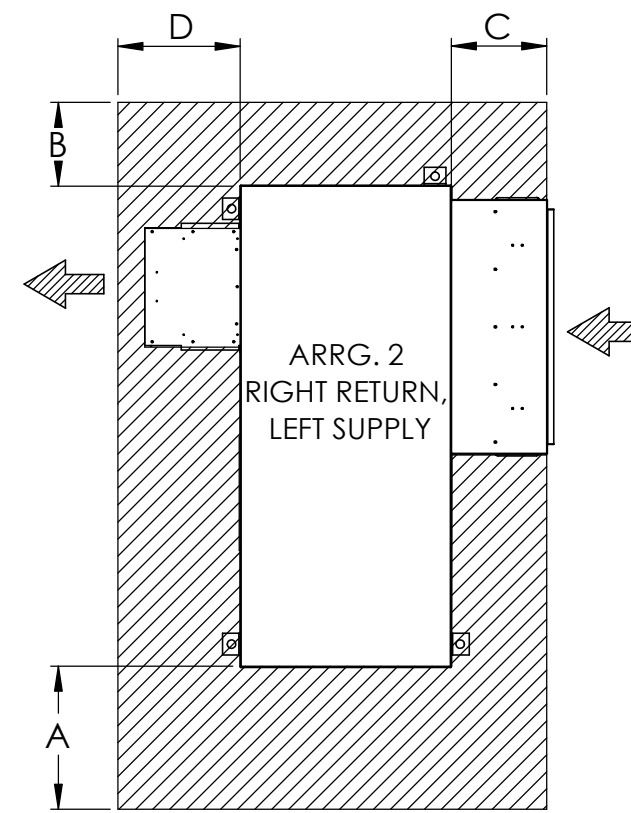
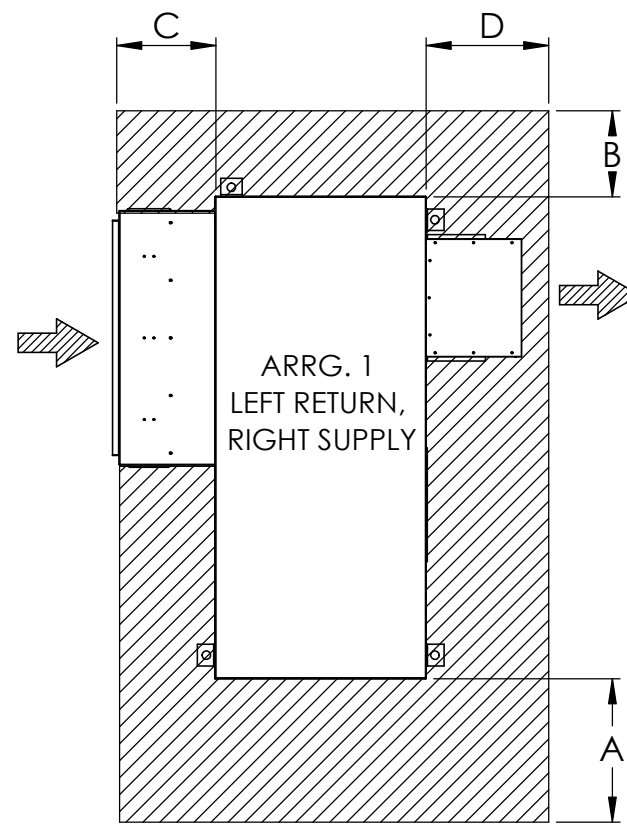
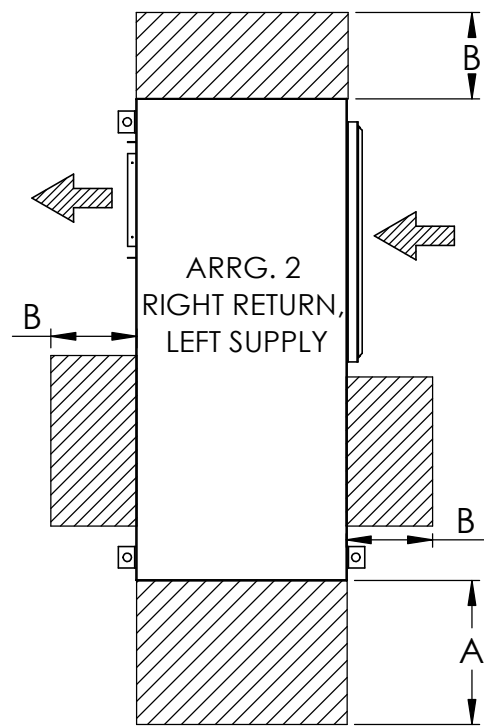
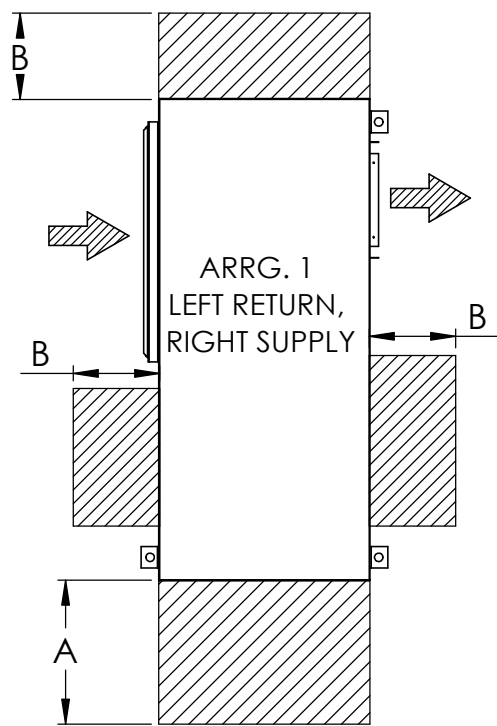


THE INFORMATION CONTAINED IN THIS DRAWING IS THE SOLE PROPERTY OF CGC Group. ANY REPRODUCTION IN PART OR AS A WHOLE WITHOUT THE WRITTEN PERMISSION OF CGC Group IS PROHIBITED.



SKH 020-036

PRODUCT REVISION(S):	M
DATE(MM/DD/YYYY):	11/28/2025 REV: A
DESCRIPTION:	Standard Submittal Drawing for SpaceKeeper Horizontal Hybrid R454B



LEGEND:

= SERVICE CLEARANCE

= DIRECTION OF AIRFLOW

Clearance Dimensions	
A	30"
B	18"
C	20"
D	25.5"

THE INFORMATION CONTAINED IN THIS DRAWING IS THE SOLE PROPERTY OF CGC Group. ANY REPRODUCTION IN PART OR AS A WHOLE WITHOUT THE WRITTEN PERMISSION OF CGC Group IS PROHIBITED.



SKH 020-036

PRODUCT REVISION(S):	M
DATE(MM/DD/YYYY):	11/28/2025 REV: A
DESCRIPTION:	Standard Submittal Drawing for SpaceKeeper Horizontal Hybrid R454B