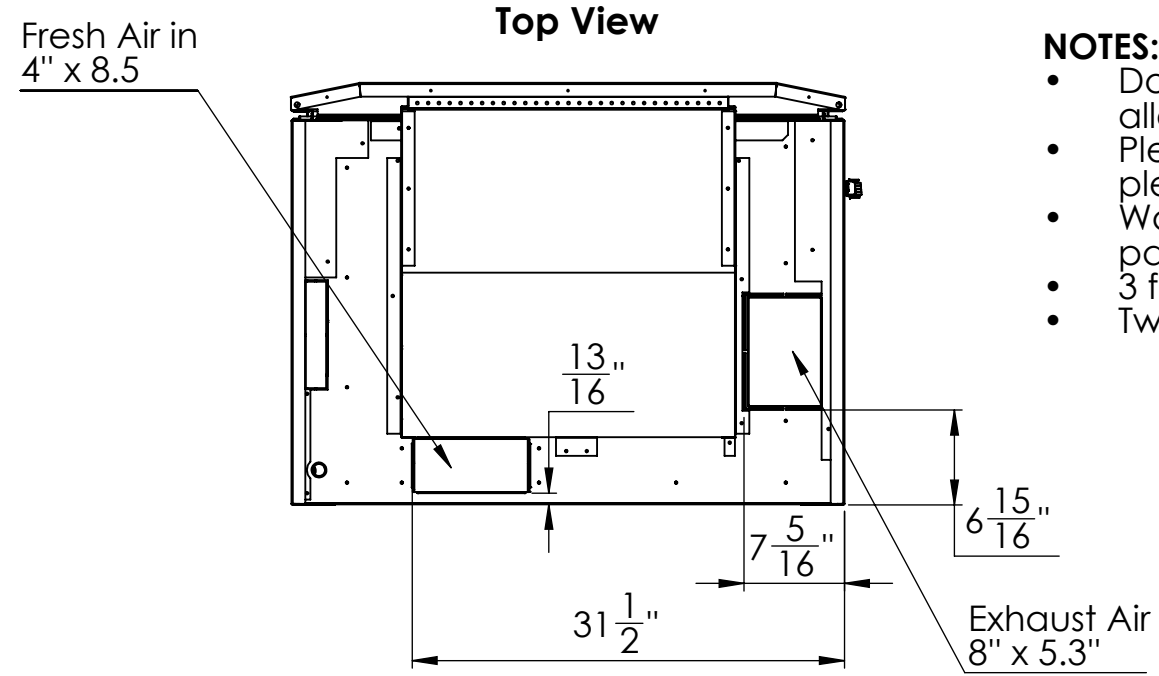


- NOTES:**
- Door may be hinged on either side. However, a minimum of 4" must be allowed on hinged side for proper unit access.
 - Plenum height addition "X" available in 2 inch increments to limit of 46" in total plenum height
 - Water and rear / top ducting connections to unit to be completed by 3rd party
 - 3 feet long, 3/4" diameter supply / return hoses included
 - Two Chassis MERV 8 filters (16"x20"x2") are included



<p>PROPRIETARY AND CONFIDENTIAL</p>	<p>THE INFORMATION CONTAINED IN THIS DRAWING IS THE SOLE PROPERTY OF CGC Group. ANY REPRODUCTION IN PART OR AS A WHOLE WITHOUT THE WRITTEN PERMISSION OF CGC Group IS PROHIBITED.</p>	NAME:	DATE (MM/DD/YYYY):	PROJECT:
		DRAWN: DI	2023-04-27	KlassKeeper Gen 3
UNLESS OTHERWISE SPECIFIED: DIMENSIONS ARE IN INCHES		CHECKED:		TITLE:
TOLERANCES UNLESS OTHERWISE NOTED ARE:		MATERIAL:		KlassKeeper drawing top connections
<p>FRACTIONAL ± 1/16"</p> <p>ANGULAR ± 0.5°</p> <p>X ± .1"</p> <p>.XX ± .06"</p> <p>.XXX ± .032"</p> <p>.XXXX ± .0050"</p>		FINISH:		SIZE DWG. NO. REV.:
				B KKV Gen 3 Drawing top fresh air
		SCALE: NTS	WEIGHT: 646.4196 lbs	SHEET 1 OF 1