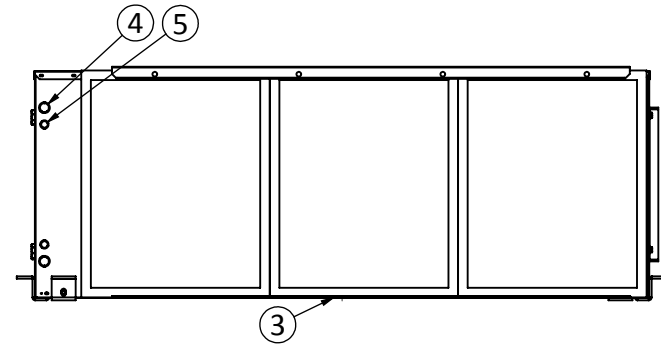
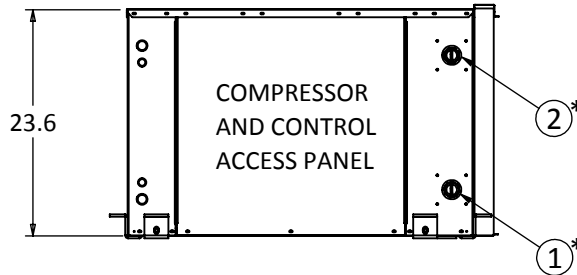
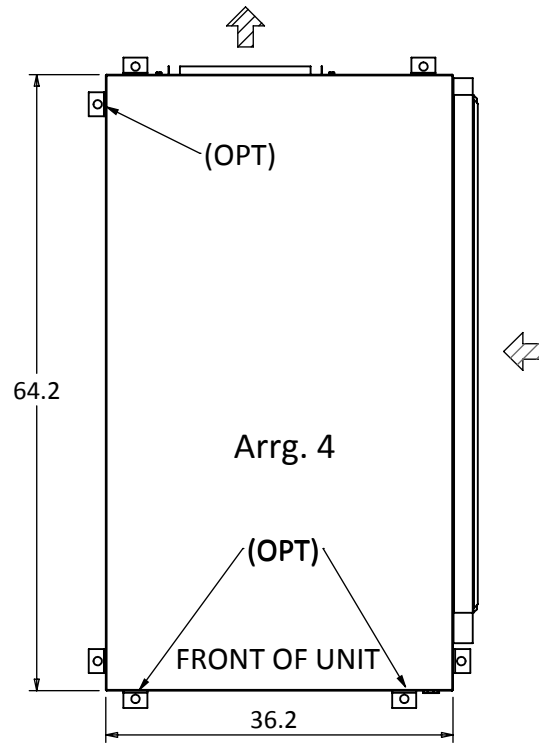
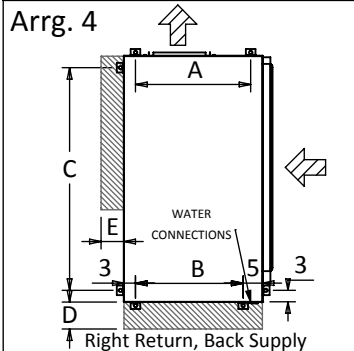
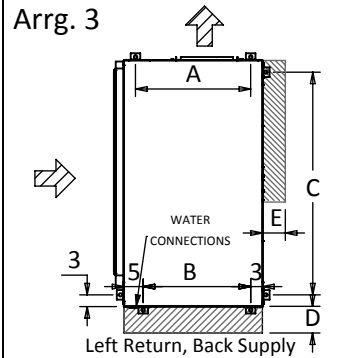
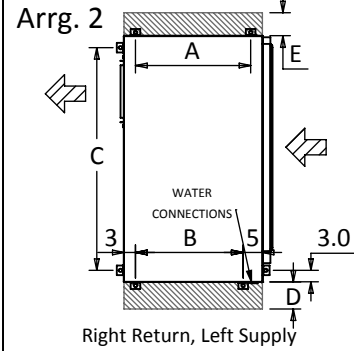
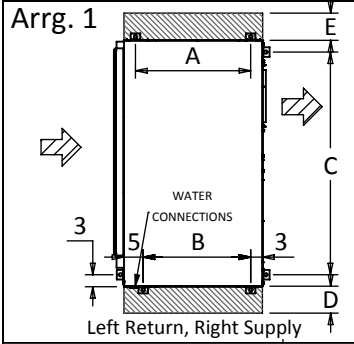


**CONFIGURATIONS POSSIBLE**



- ① Water Inlet, 1-1/4" FPT
- ② Water Outlet, 1-1/4" FPT
- ③ Condensate Drain, 3/4"
- ④ High Voltage Access, 1-1/8" Knockout
- ⑤ Low Voltage Access, 7/8" Knockout

**REMARKS:**

- i) Disposable fiberglass filters included. (3 - 20" x 24" x 1")
- ii) Rubber in shear isolation included.
- iii) Arrangement 4 is shown to provide essential dimensions.
- iv) Hanging clips to be placed one in each corner. Recommended position is shown. (OPT) = Optional positioning
- v)\* Water connections are positioned on the same side as the return air.

PHYSICAL DATA [in]						HANGAR DIMENSIONS			MIN. SERVICE CLEARANCE REQUIRED	
W	L	H	SUP. AIR (W x H)	RET. AIR (W x H)	UNIT WT (lbs)	A	B	C	D	E
36	64	24	16 x 16	54 x 20		30	28	58	30	18

**LEGEND:**

(OPT) = OPTIONAL

= Service Clearance

= Direction of Air

(ID) = Inside Dimension

**SpaceKeeper Horizontal (SKH 070-100)**



© Copyright 2018 CGC Group Inc.

01/02/2018  
DWG: MRH  
APPR: FAL