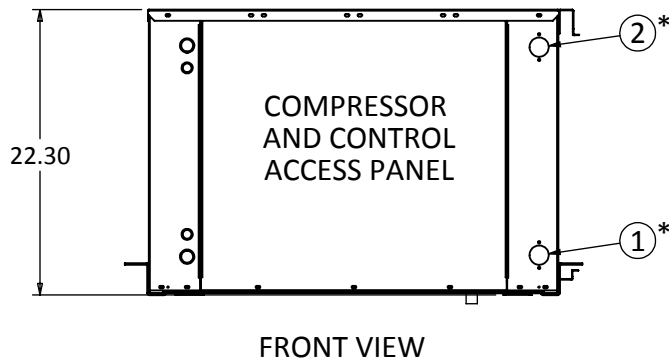
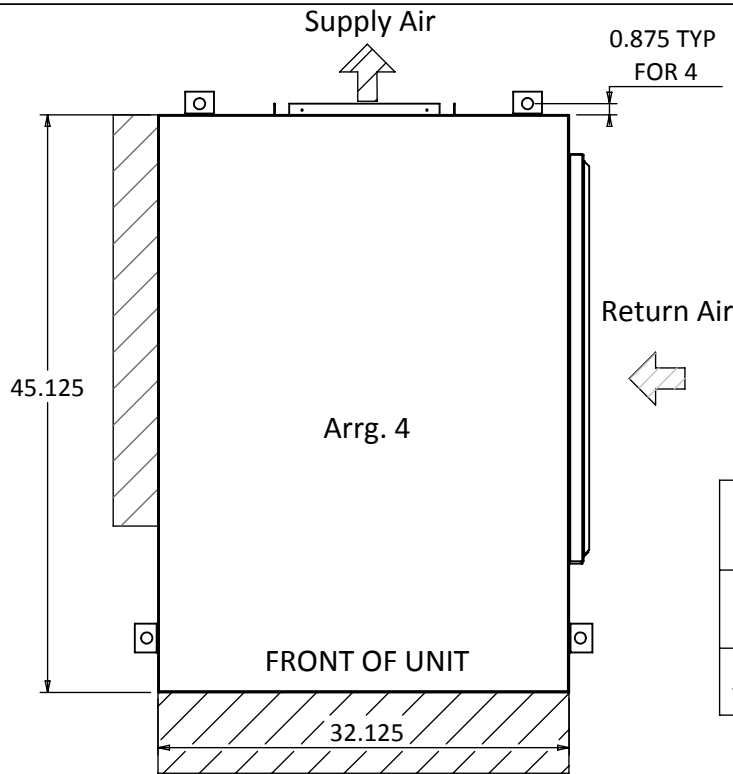
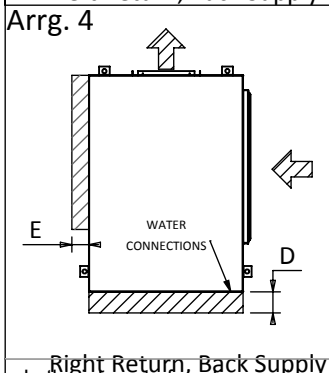
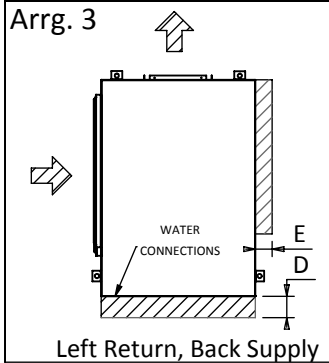
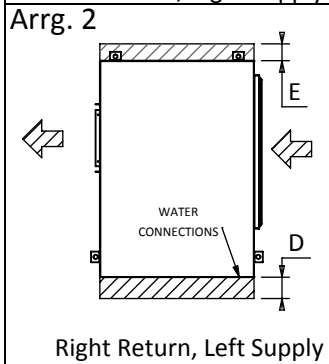
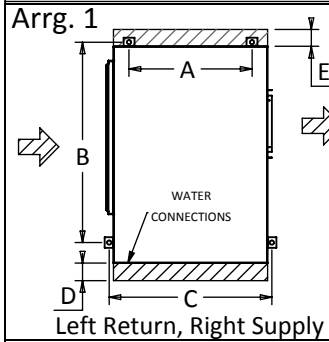


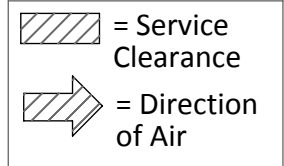
**CONFIGURATIONS POSSIBLE**



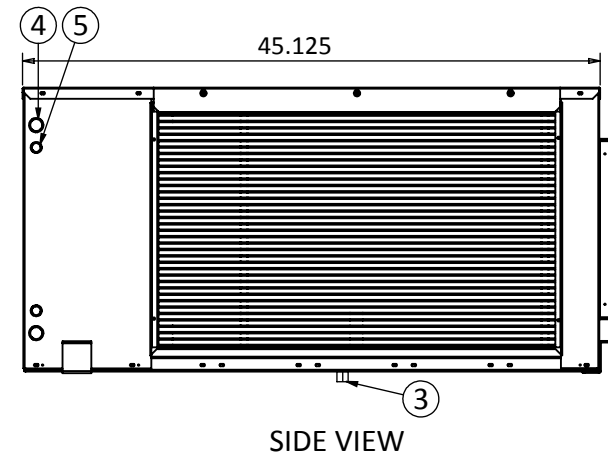
**REMARKS:**

- i) Two disposable fiberglass filters included. (16" x 20" x 1")
- ii) Rubber in shear isolation included.
- iii) Arrangement 4 is shown to provide essential dimensions.
- iv) Hanging clips can be placed on any side in the corners. Recommended position is shown.
- v)\*Water connections are positioned on the same side as the return air.

**LEGEND:**



| PHYSICAL DATA [in] |    |    |                  |                  |               | HANGAR DIMENSIONS |    |    | MIN. SERVICE CLEARANCE REQUIRED |    |
|--------------------|----|----|------------------|------------------|---------------|-------------------|----|----|---------------------------------|----|
| W                  | L  | H  | SUP. AIR (W x H) | RET. AIR (W x H) | UNIT WT (lbs) | A                 | B  | C  | D                               | E  |
| 32                 | 45 | 22 | 14 x 14          | 32 x 18          | 375Lb         | 30                | 46 | 34 | 30                              | 18 |



**SpaceKeeper Horizontal (SKH 042-060)**



- ① Water Inlet, 3/4" FPT
- ② Water Outlet, 3/4" FPT
- ③ Condensate Drain, 3/4"
- ④ High Voltage Access, 1" Knockout
- ⑤ Low Voltage Access, 7/8" Knockout

© Copyright 2018 CGC Group Inc.

01/02/2018  
DWG: MRH  
APPR: FAL