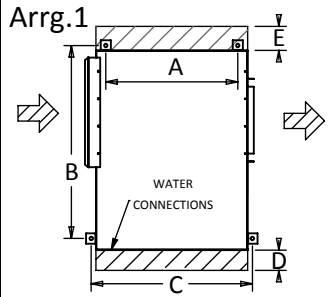
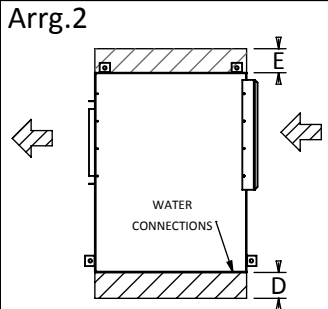


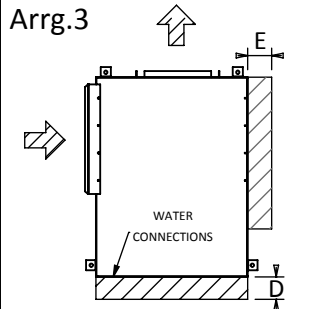
CONFIGURATIONS POSSIBLE



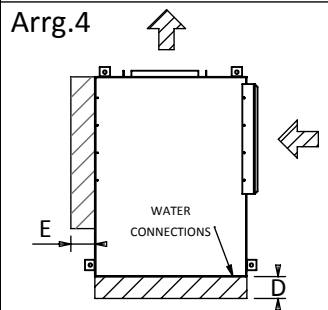
Left Return, Right Supply



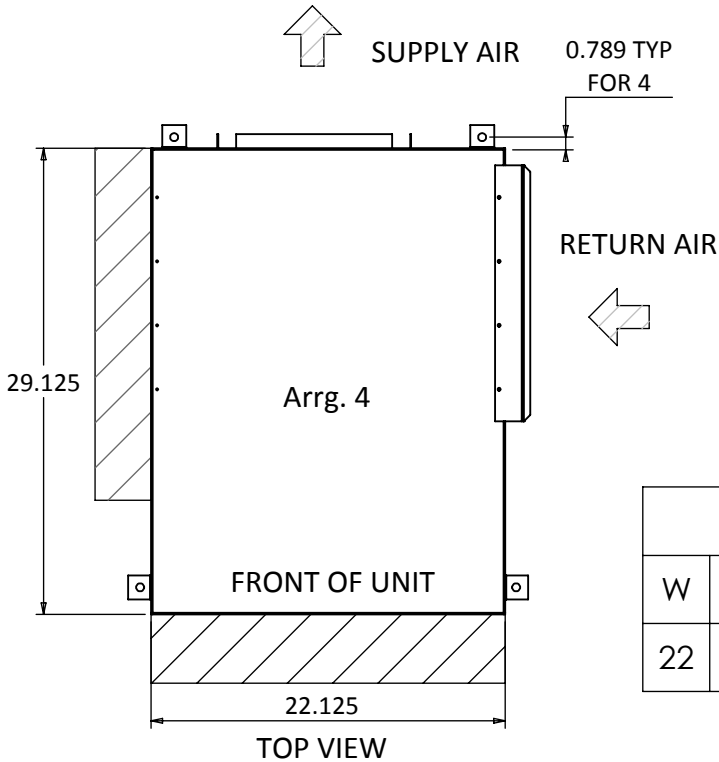
Right Return, Left Supply



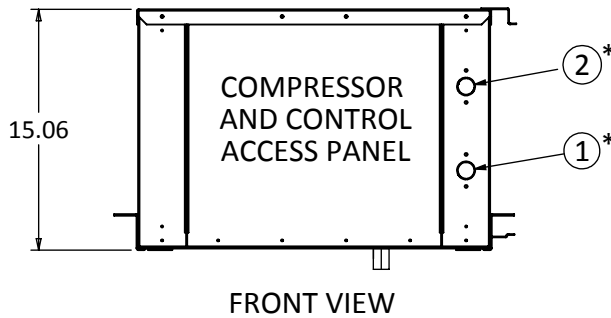
Left Return, Back Supply



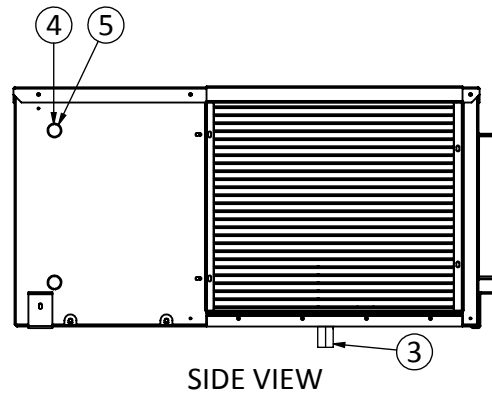
Right Return, Back Supply



TOP VIEW



FRONT VIEW



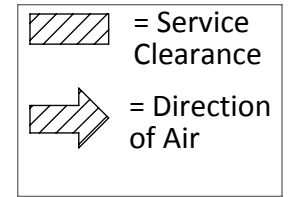
SIDE VIEW

- ① Water Inlet, 1/2" FPT
- ② Water Outlet, 1/2" FPT
- ③ Condensate Drain, 3/4"
- ④ High Voltage Access, 1" Knockout
- ⑤ Low Voltage Access, 7/8" Knockout (located on other side of unit in same position as ④)

REMARKS:

- i) One disposable fiberglass filter included. (20" x 14" x 1")
- ii) Rubber in shear isolation included.
- iii) Arrangement 4 is shown to provide essential dimensions.
- iv) Hanging clips can be placed on any side in the corners. Recommended position is shown.
- v)* Water connections are positioned on the same side as the return air.

LEGEND:



PHYSICAL DATA [in]						HANGAR DIMENSIONS			MIN. SERVICE CLEARANCE REQUIRED	
W	L	H	SUP. AIR (W x H)	RET. AIR (W x H)	UNIT WT (lbs)	A	B	C	D	E
22	29	15	12 x 9	16 x 13	160 LB	19	24	24	30	18

SpaceKeeper Horizontal (SKH 008-018)



© Copyright 2018 CGC Group Inc.

01/02/2018
DWG: MRH
APPR: FAL