



No other heat pump does more, with less.

INTEGRAL ENERGY RECOVERY VENTILATOR - ERV

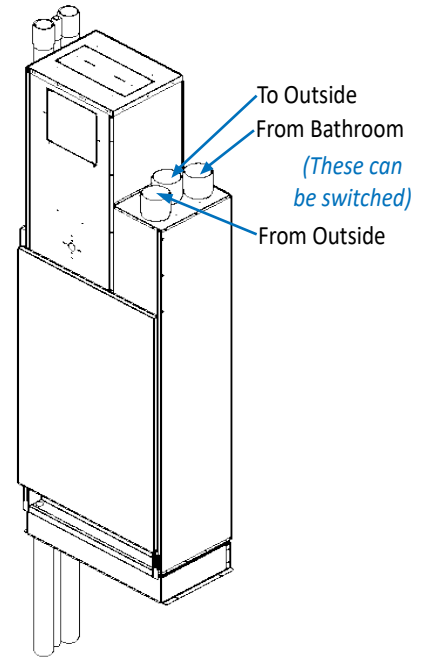
Reversible ERV

The Bulldog Heat Pump cabinet will include an ERV ventilation module. In order to provide installation flexibility, the module orientation can be rotated so the cabinet connections can be reversed.

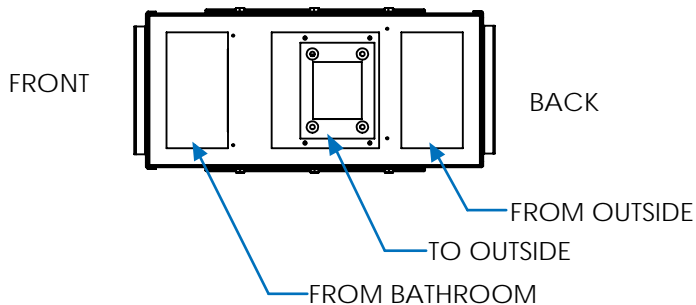
The default configuration has the "From Bathroom" duct attaching to the front collar. On the reversed configuration, the "From Bathroom" duct will attach to the rear collar.

The "From Outside" duct normally attaches to the rear collar but in the reverse configuration, the connection will be on the front.

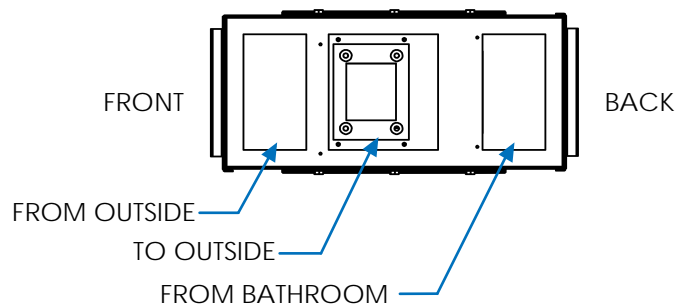
The "To Outside" duct is always the middle collar regardless of the configuration.



DEFAULT CONFIGURATION



REVERSE CONFIGURATION

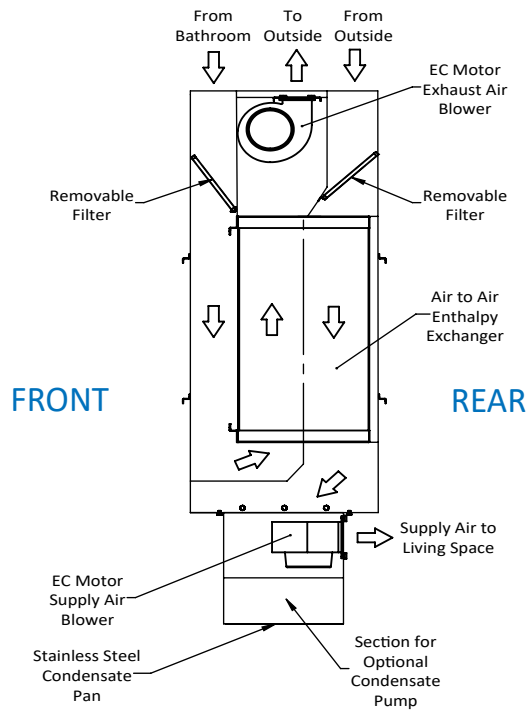
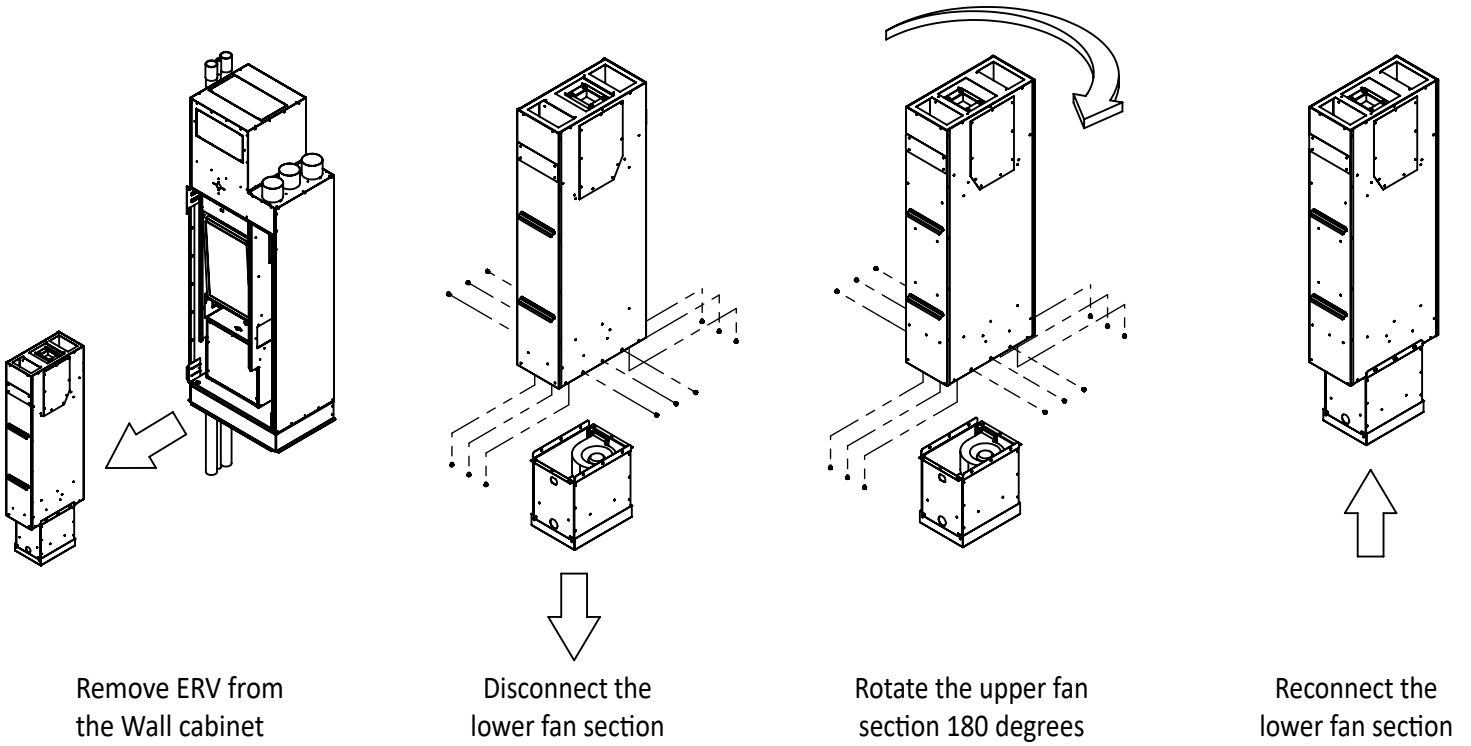


Copyright 2017 CGC Group Inc.

No other heat pump does more, with less.

www.bulldogheatpump.com

FIELD REVERSING



Supply Air to the Living Space



AIR STREAM DIAGRAM



CGC Group of Companies, Inc.
 Corporate Office: 1-150 Britannia Rd East, Mississauga Ontario, Canada L4Z 2A4
 1-888-220-5551