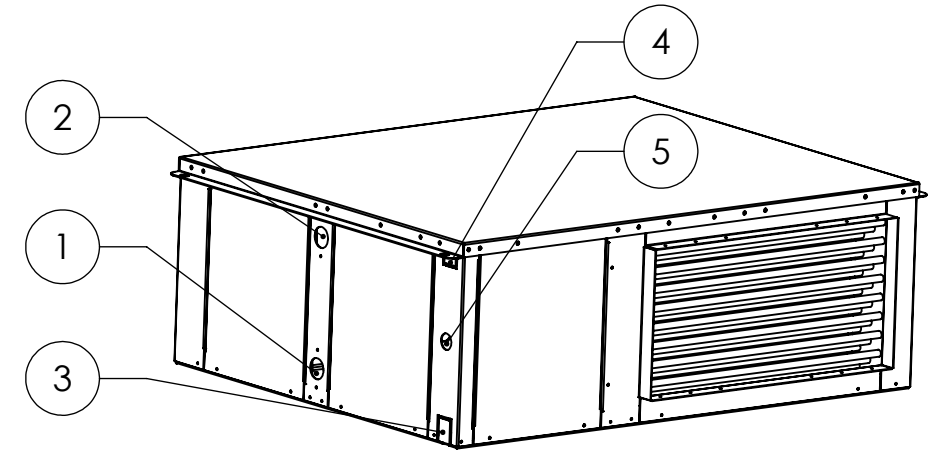
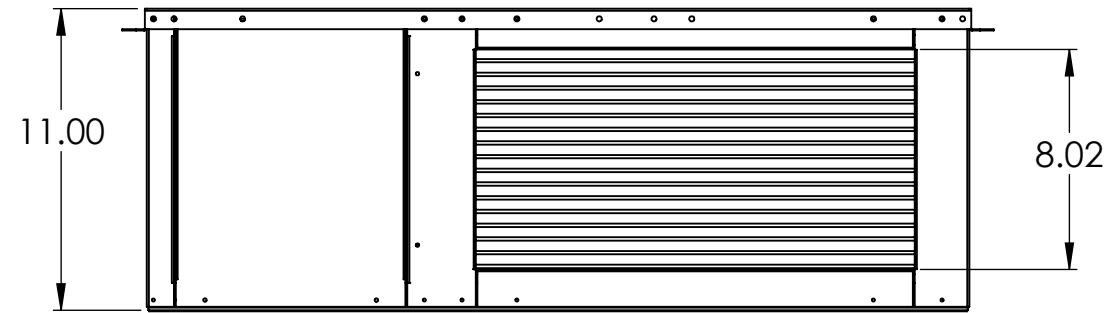
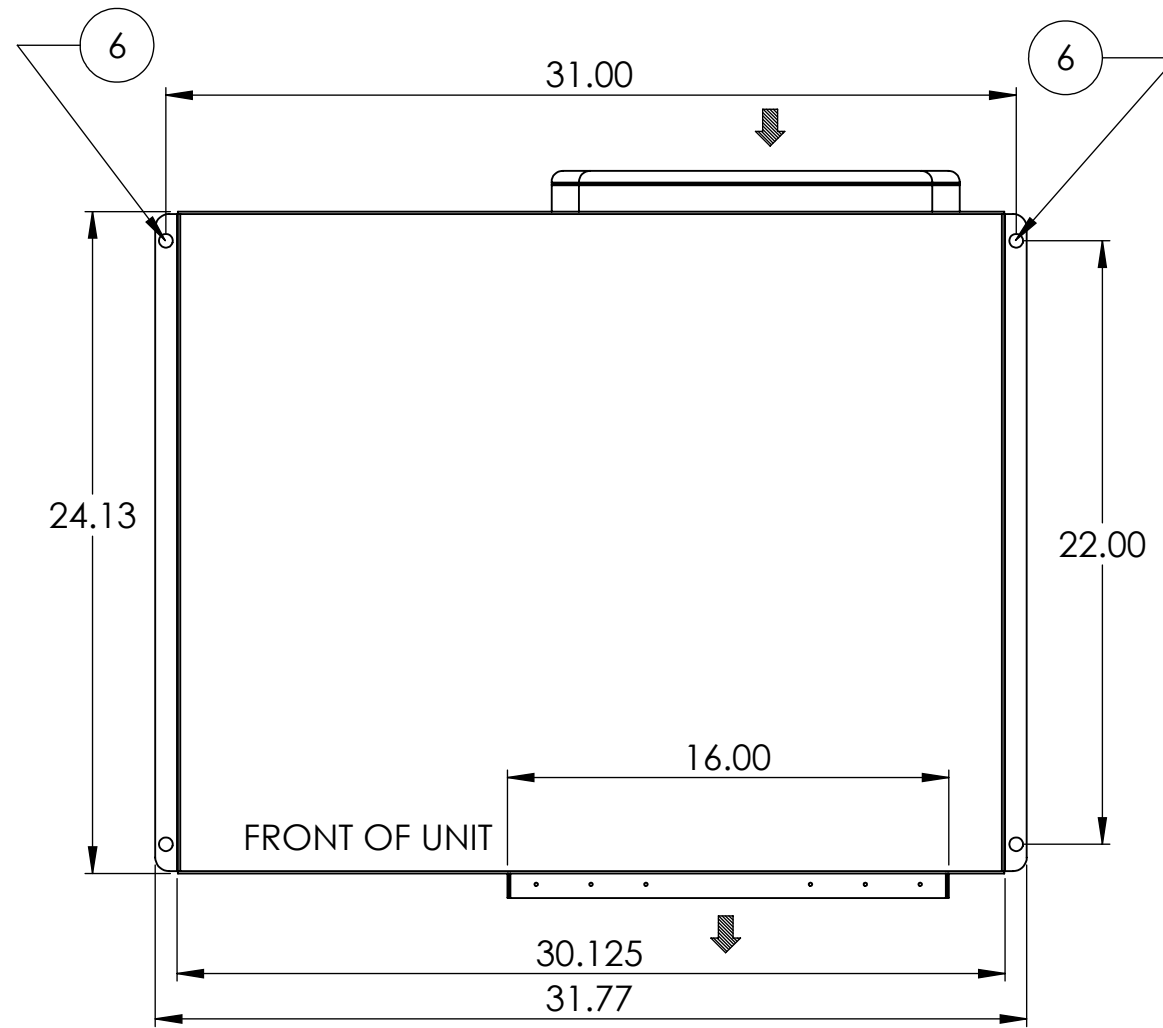
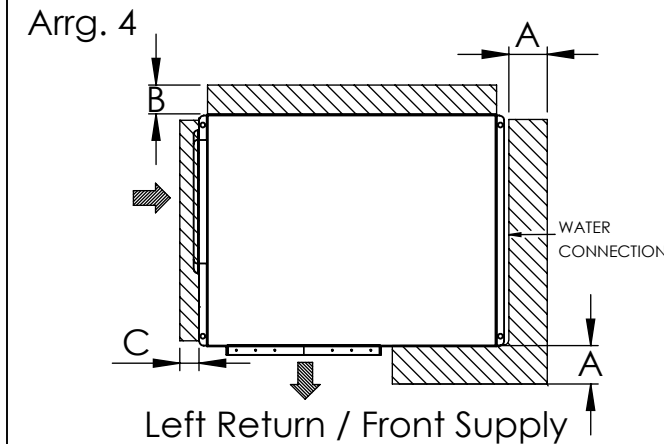
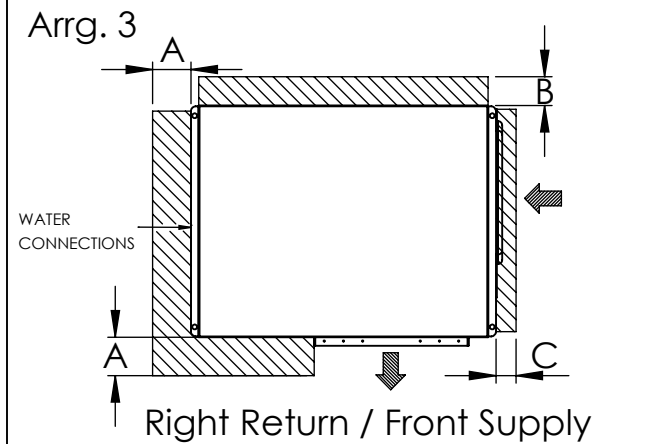
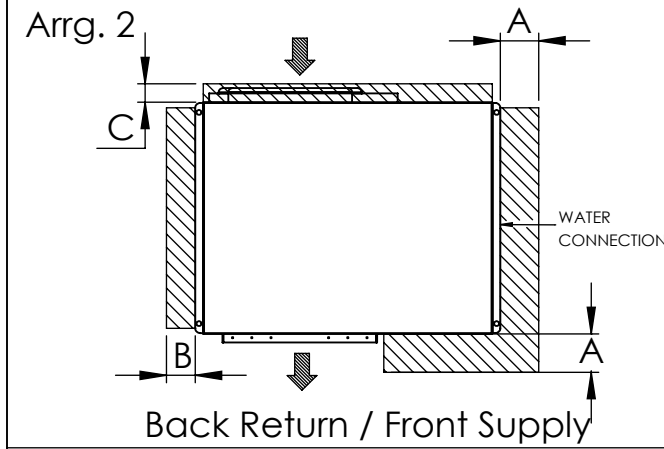
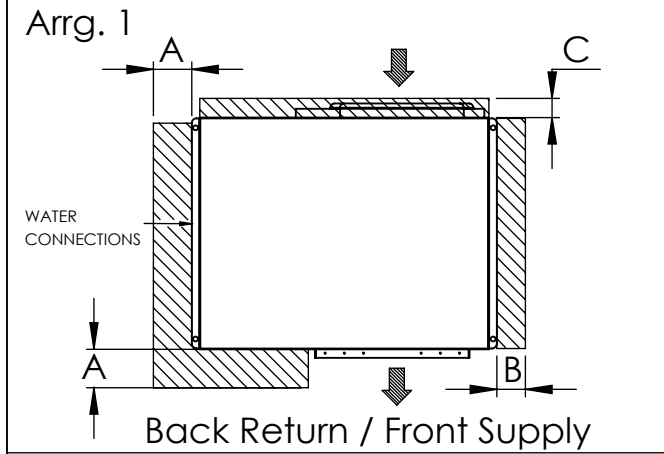


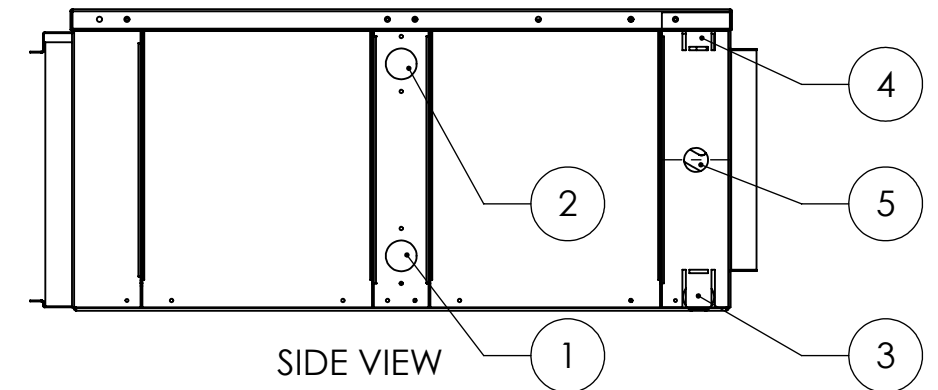
CONFIGURATIONS POSSIBLE



- 1. Water Inlet, 1/2" FPT
- 2. Water Outlet, 1/2" FPT
- 3. Condensate Drain, 3/4" Tube
- 4. High Voltage Power Cord Complete with NEMA 6-15 Plug
- 5. Low Voltage Access, 7/8"
- 6. Hanging Points

REMARKS:

- A) Rubber is shear isolation included.
- B) One disposable fiberglass filter included (10" x 20" x 1")
- C) Drain pan is under positive pressure. Trap not required
- D) Arrangement 2 is shown
- E) For proper servicing of the refrigerant circuit, the unit should be lowered to ground level and the top panel should be removed.
- F) This unit is a Blow Through unit instead of CGC Group's standard Draw Through unit.
- G) The Return air panel is 13" x 9"



PHYSICAL DATA [in]		CLEARANCE DIMENSIONS	
SUPPLY AIR, W x H	RETURN AIR, W x H	A	24"
16" X 8"	12.875" x 9.125"	B	18"
		C	6"

SlimKeeper Horizontal (SLK 008-015)



© Copyright 2013 CGC Group Inc.

May-03-2016
DWG: K.F
APPR: F.A.L