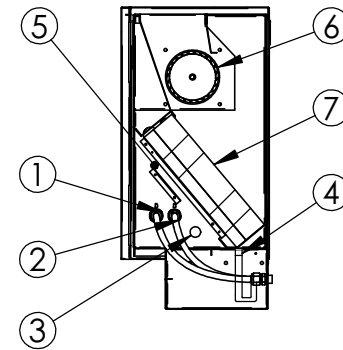


Hanging Bracket- Should be placed 23 1/8" (+/- 1/8") (for a standard 5" base) from the floor ensuring console is held flush against the wall, and to prevent the unit from tipping forward.



SECTION A-A

i.) Return Air

ii.) Base Opening to provide sufficient spacing for contractor to connect Building Water In/Out to the Water In/Out Connections on Units (See Section A-A).

REMARKS:

- Disposable Filter included (29.5" X 1" X11")

- ① WATER IN 1/2" FPT
- ② WATER OUT 1/2" FPT
- ③ POWER CORD ACCESS
- ④ CONDENSATE DRAIN 3/4" ID HOSE
- ⑤ Filter Location
- ⑥ Fan Housing
- ⑦ HW and DX Coil

SpaceKeeper Console (SKC 008-015)



BULLDOG
HEAT PUMP

No other heat pump does more, with less.

© Copyright 2013 CGC Group Inc.

10/24/2013

DWG: K.F
APPR: F.A.L