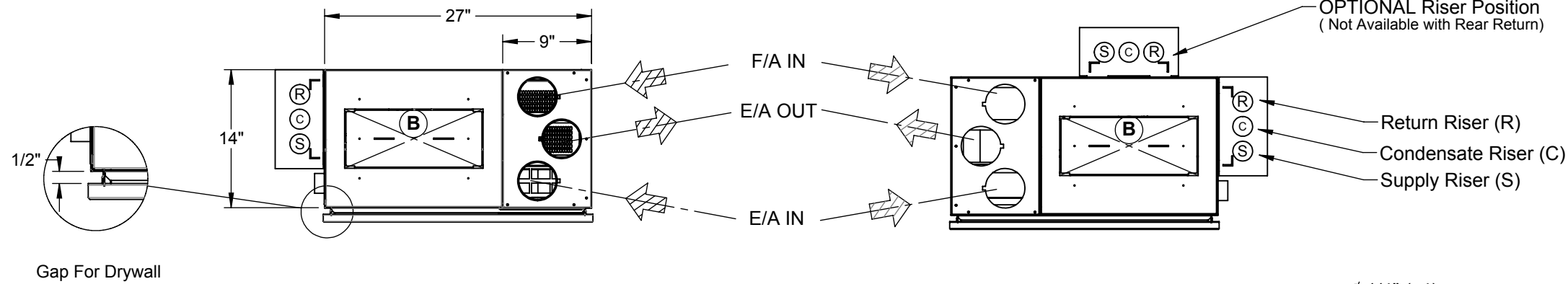


TOP VIEW (LEFT HAND RISER POSITION)

TOP VIEW (RIGHT HAND RISER POSITION)



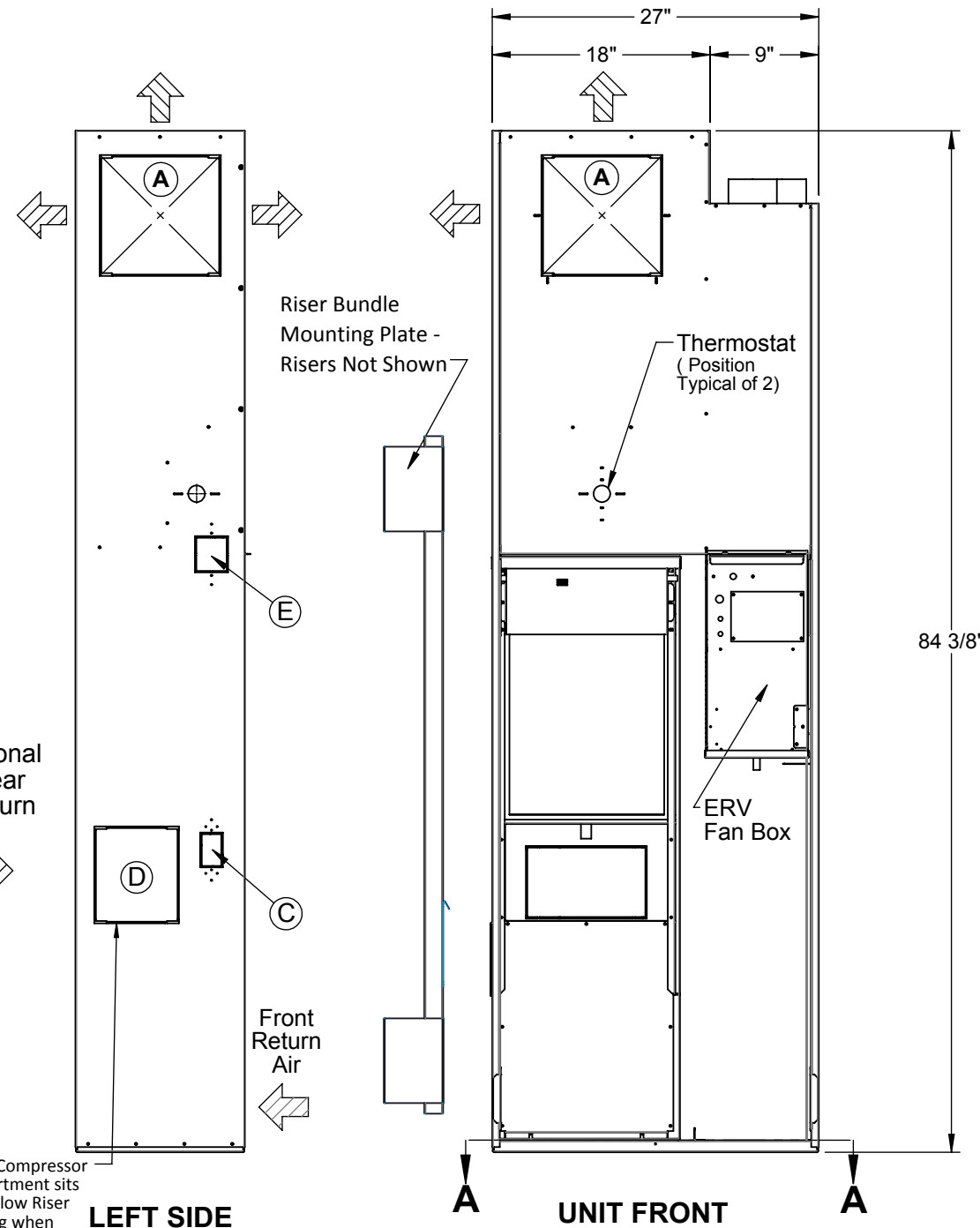
OPTIONAL Riser Position
(Not Available with Rear Return)

Return Riser (R)
Condensate Riser (C)
Supply Riser (S)

OPTIONAL Risers

Cabinet

Gap For Drywall



Riser Bundle
Mounting Plate -
Risers Not Shown

Thermostat
(Position
Typical of 2)

ERV
Fan Box

Front
Return
Air

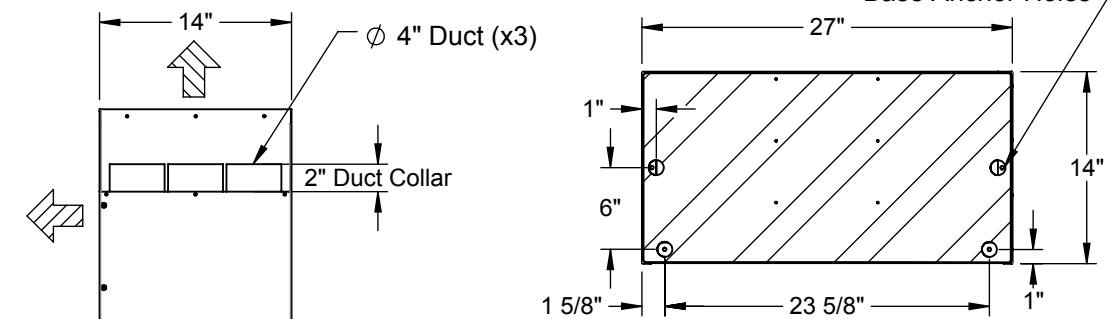
84 3/8"

LEFT SIDE

UNIT FRONT

RIGHT SIDE

Top of Compressor
Compartment sits
1/4" below Riser
Opening when
chassis is installed
in Cabinet.



SECTION A-A

ERV Core

ERV Fan Box

Easy Install Chassis

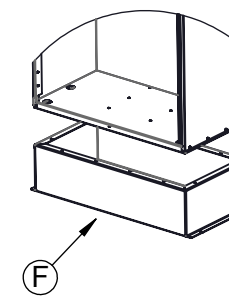
Acoustically Insulated
Front Panel

Acoustically Insulated Boot

REMARKS:

- > LEFT HAND UNIT SHOWN; RIGHT HAND UNIT OPPOSITE
- > Water Inlet / Outlet = 1/2" MPT.
- > Condensate Drain = 3/4" ID Hose.
- > Total Weight: 285lbs
(includes Cabinet, Chassis, Panels, Boot, and Risers)

- (A) - 10" x 10" KnockOuts for Supply Ducting
- (B) - 14" x 6" KnockOut for Supply Ducting
- (C) - Electrical Box / KnockOut for Electrical Connections
- (D) - KnockOut For Flex. Hose Connection of Risers to Chassis or for Return Air
- (E) - KnockOut for OPTIONAL 120V Relay for ERV Interlock with Toilet Exhaust - ERV Option Only
- (F) - Optional Cabinet Base Extensions (Various Heights Available)



InnKeeper ERV Cabinet



No other heat pump does more, with less

DWG: MRH 9/9/2015
APPR: FL 9/22/2015

© Copyright 2013 CGC Group Inc.