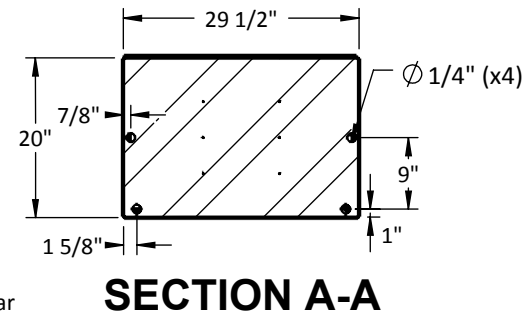
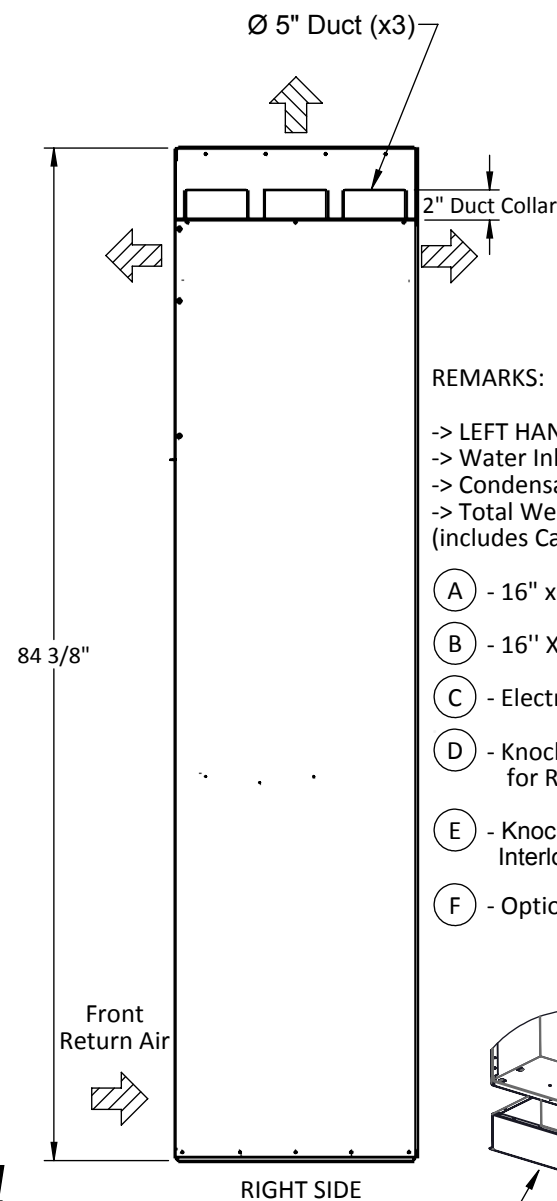
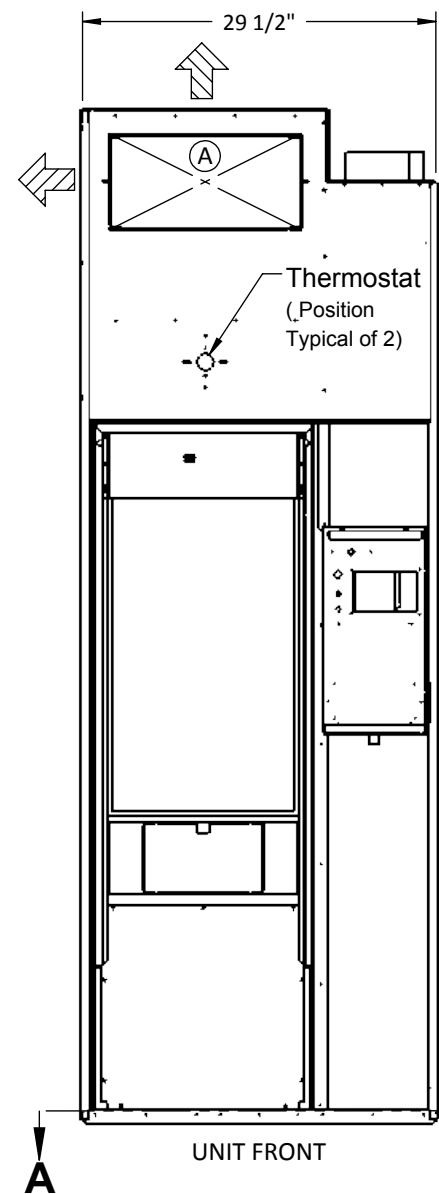


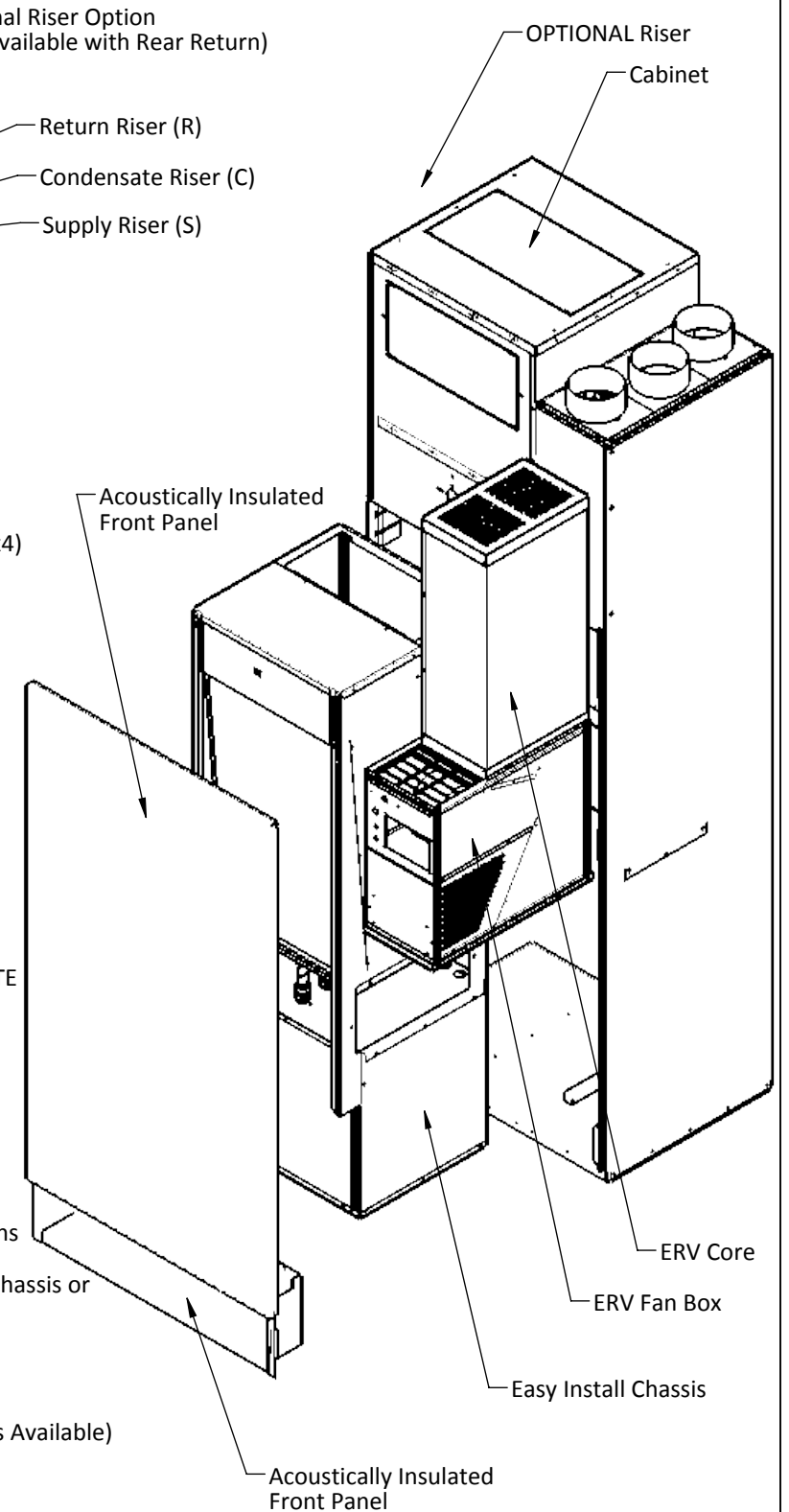
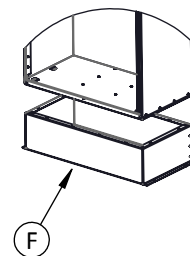
Riser Bundle Mounting Plate - Risers Not Shown



REMARKS:

- > LEFT HAND UNIT SHOWN; RIGHT HAND UNIT OPPOSITE
- > Water Inlet / Outlet = 1/2" MPT.
- > Condensate Drain = 3/4" ID Hose.
- > Total Weight: 285lbs (includes Cabinet, Chassis, Panels, Boot, and Risers)

- (A) - 16" x 8" KnockOuts for Supply Ducting
- (B) - 16" X 9" KnockOut for Supply Ducting
- (C) - Electrical Box / KnockOut for Electrical Connections
- (D) - KnockOut For Flex. Hose Connection of Risers to Chassis or for Return Air
- (E) - KnockOut for OPTIONAL 120V Relay for ERV Interlock with Toilet Exhaust - ERV Option Only
- (F) - Optional Cabinet Base Extensions (Various Heights Available)



Homekeeper ERV Cabinet



DWG: MRH 9/9/2015
APPR: FL 9/22/2015

No other heat pump does more, with less.

© Copyright 2013 CGC Group Inc.